

クボタディーゼルエンジン

KUBOTA DIESEL ENGINE

純正部品表

ILLUSTRATED PARTS LIST

D1305-E4B-RRBM-1

型 式 名	備 考
D1305-E4B-RRBM-1	関東鉄工株式会社 振動ローラ KV15CS, KV25CS-2, KV25DS-2 搭載用

2022 年 4 月初版

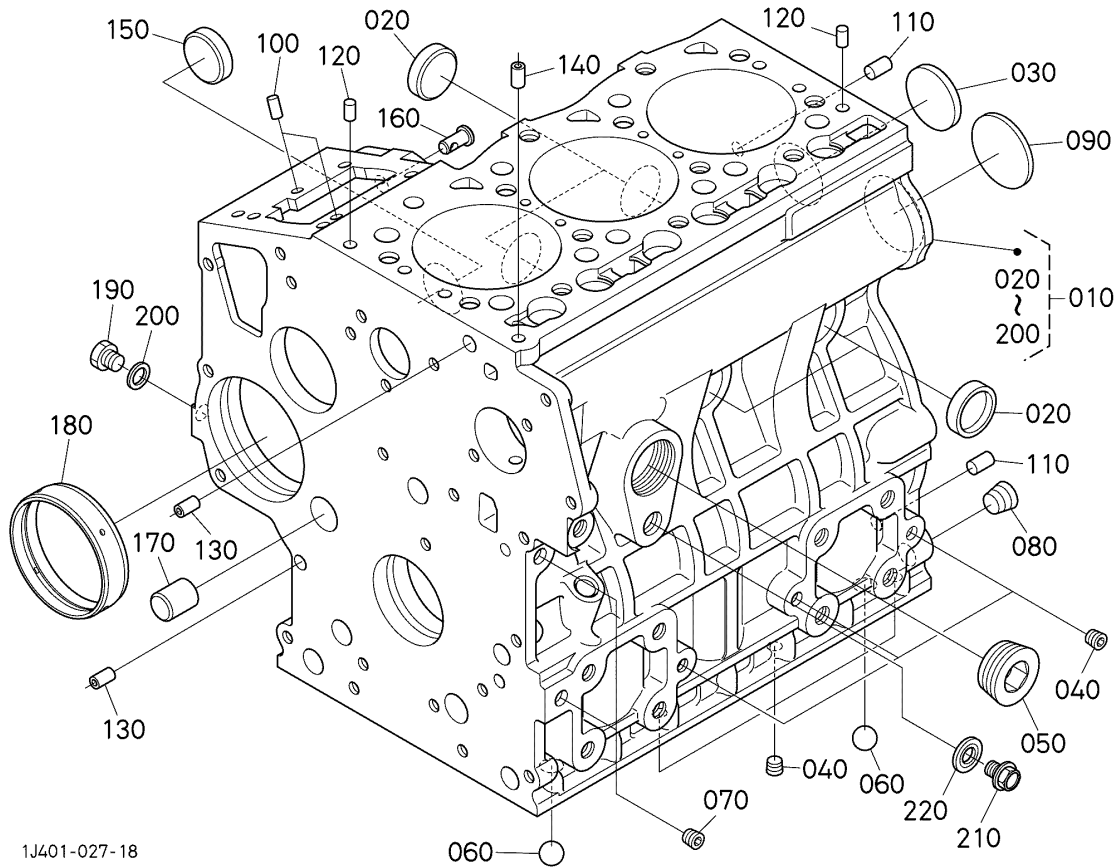
APR. 2022

部品表番号

CODE No.

07909-E7250





1J401-027-18

≡ Interchangeable

NI Not Interchangeable

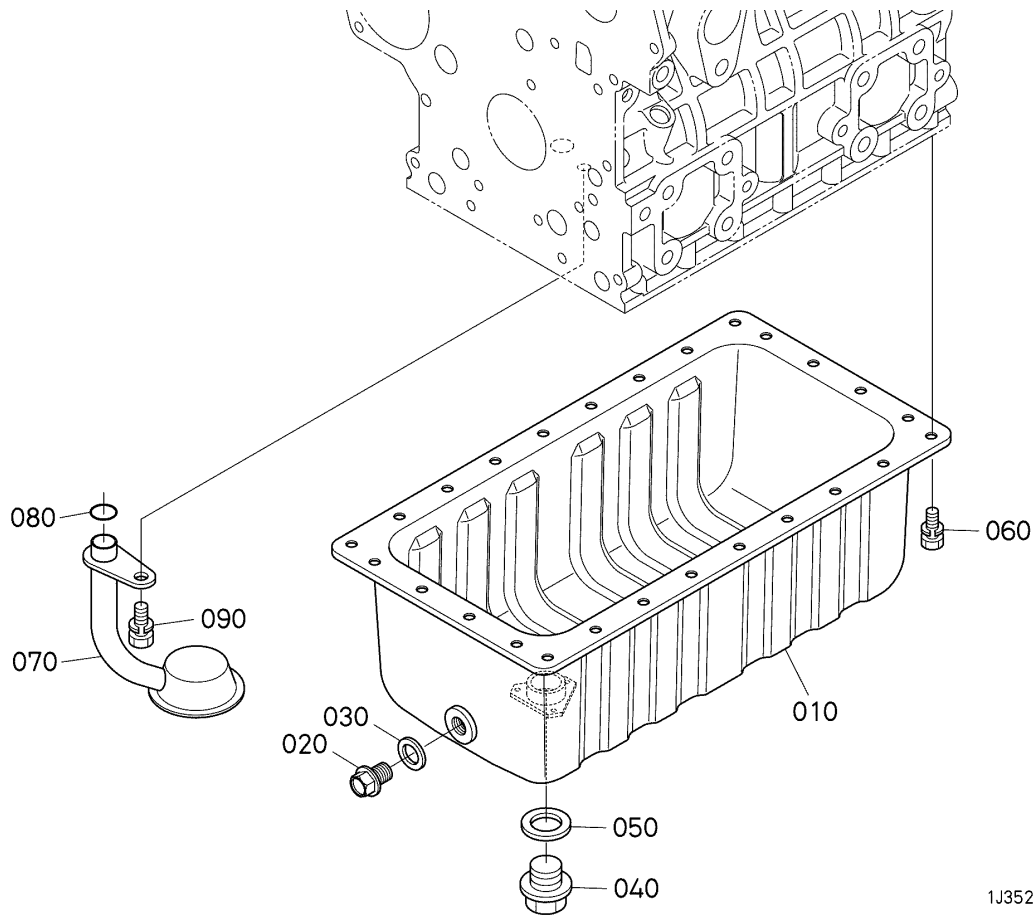
>> New for Old

<< Old for New

No.	Part No.	Part Name	Qty	IC	Serial No./PIN	Remarks	Kg
010	1G900-01017	COMP.CRANKCASE	1				30.5
020	15451-96270	CAP,SEALING	4				0.01
030	15221-03490	CAP,SEALING	1				0.02
040	15261-96010	PLUG	6				0.002
050	16683-96020	PLUG	1				0.088
060	07715-00201	BALL	2				0.008
070	15521-96020	PLUG	2				0.003
080	15521-96030	PLUG	1				0.007
090	16271-96160	PLUG,EXPANSION	1				0.025
100	05012-00508	PIN,STRAIGHT	2				0.001
110	05012-00814	PIN,STRAIGHT	2				0.006
120	05012-00610	PIN,STRAIGHT	2				0.003

≡ Interchangeable
NI Not Interchangeable
>> New for Old
<< Old for New

No.	Part No.	Part Name	Qty	IC	Serial No./PIN	Remarks	Kg
130	15231-33960	PIN,PIPE	2				0.001
140	16241-33650	PIN,PIPE	1				0.002
150	16241-96262	PLUG,FUEL CAMSHAFT	1				0.007
160	16261-56280	PIN(START SPRING)	1				0.004
170	16282-96010	PLUG	1				0.09
180	16271-55350	BUSHING(GEAR,GOVERNOR)	1				0.06
190	1G896-33610	PLUG	1				0.008
200	15021-33660	PACKING	1				0.001
210	06311-55020	PLUG	1				0.031
220	04717-01320	WASHER,SEAL	1				0.002



1J352-085-10

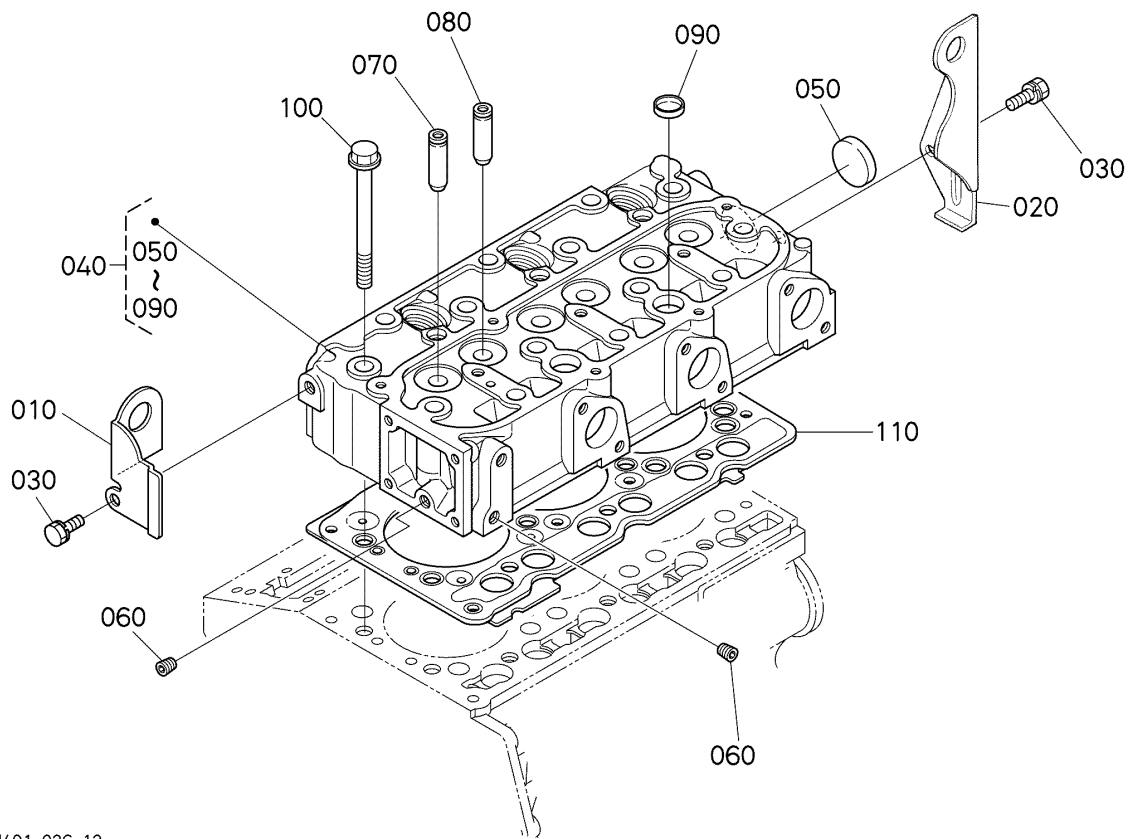
≡ Interchangeable

NI Not Interchangeable

>> New for Old

<< Old for New

No.	Part No.	Part Name	Qty	IC	Serial No./PIN	Remarks	Kg
010	1G900-01500	COMP.OIL PAN	1				1.9
020	13901-33750	PLUG,DRAIN	1				0.025
030	6C090-58960	GASKET	1				0.003
040	15707-33750	DRAIN PLUG	1				0.095
050	16265-96670	PACKING	1				0.003
060	01023-50614	BOLT,SEMS	26				0.005
070	1G700-32110	FILTER,OIL	1				0.11
080	04814-00160	O RING	1				0.001
090	01123-50816	BOLT	1				0.011



1J401-036-12

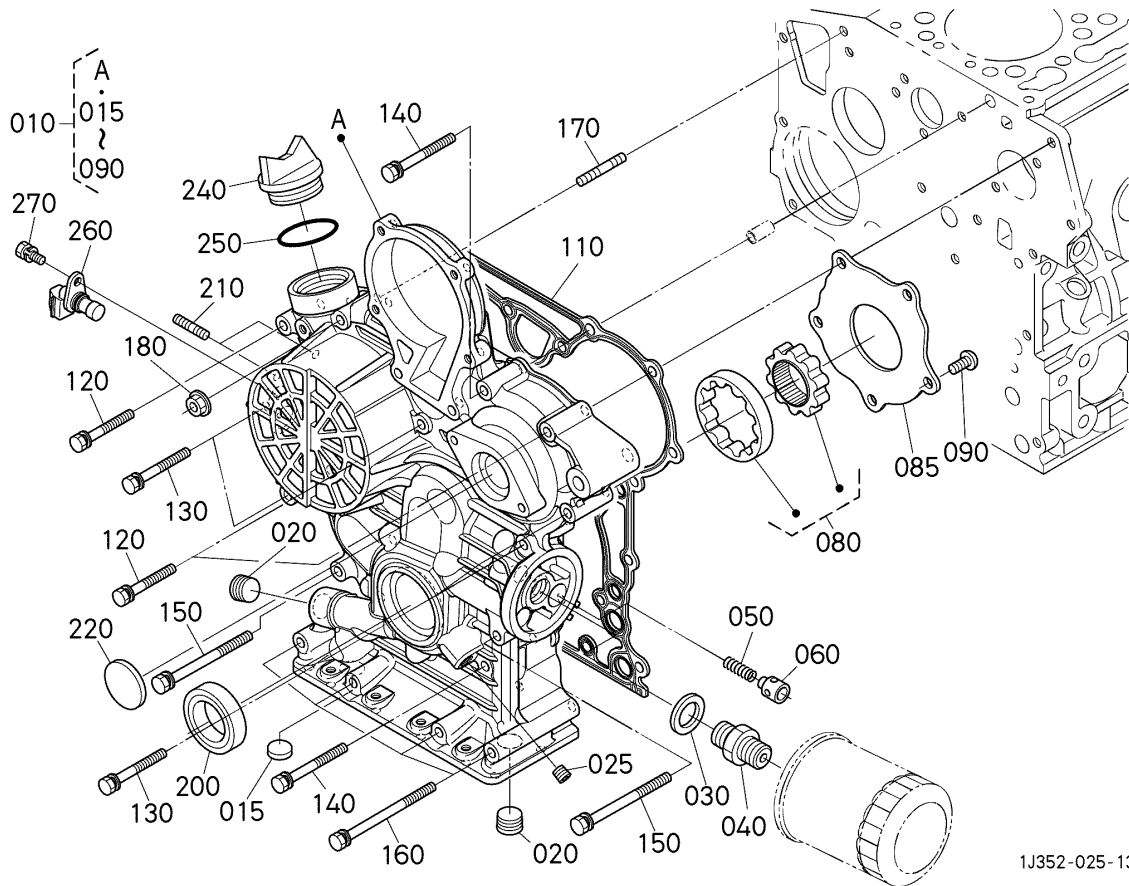
≡ Interchangeable

NI Not Interchangeable

>> New for Old

<< Old for New

No.	Part No.	Part Name	Qty	IC	Serial No./PIN	Remarks	Kg
010	16241-01753	HOOK,ENGINE	1				0.14
020	16241-01770	HOOK,ENGINE	1				0.175
030	01123-50814	BOLT	2				0.01
040	1G900-03042	COMP.CYLINDER HEAD	1				9.5
050	15321-96260	CAP,SEALING	1				0.014
060	15261-96010	PLUG	2				0.002
070	16261-13540	GUIDE,INLET VALVE	3				0.02
080	16261-13560	GUIDE,EXHAUST VALVE	3				0.019
090	15261-03370	CAP,SEALING	2				0.005
100	16241-03450	BOLT,HEAD(CYLINDER)	14				0.05
110	1G063-03310	GASKET(HEAD,CYL)	1				0.16



1J352-025-13

≡ Interchangeable

NI Not Interchangeable

>> New for Old

<< Old for New

No.	Part No.	Part Name	Qty	IC	Serial No./PIN	Remarks	Kg
010	1G900-04026	COMP.CASE,GEAR	1		<=1NTZ999		2.95
010	1J040-04022	CASE,GEAR,COMP	1	>>	>=1NU0001		3.02
015	06311-85016	CAP,SEALING	1				0.003
020	16241-96020	PLUG	2				0.015
025	15521-96020	PLUG	1				0.003
030	04011-50180	WASHER,PLAIN	1				0.012
040	15241-32290	JOINT,PIPE	1				0.053
050	1J050-36950	SPRING	1				0.004
060	1J050-36930	VALVE(RELIEF)	1				0.005
080	1J050-35070	ROTOR,ASSY(OIL PUMP)	1				0.244
085	1J050-35132	COVER(OIL PUMP)	1				0.085
090	03017-50614	SCREW,BINDING(PHILLIPS)	5				0.005

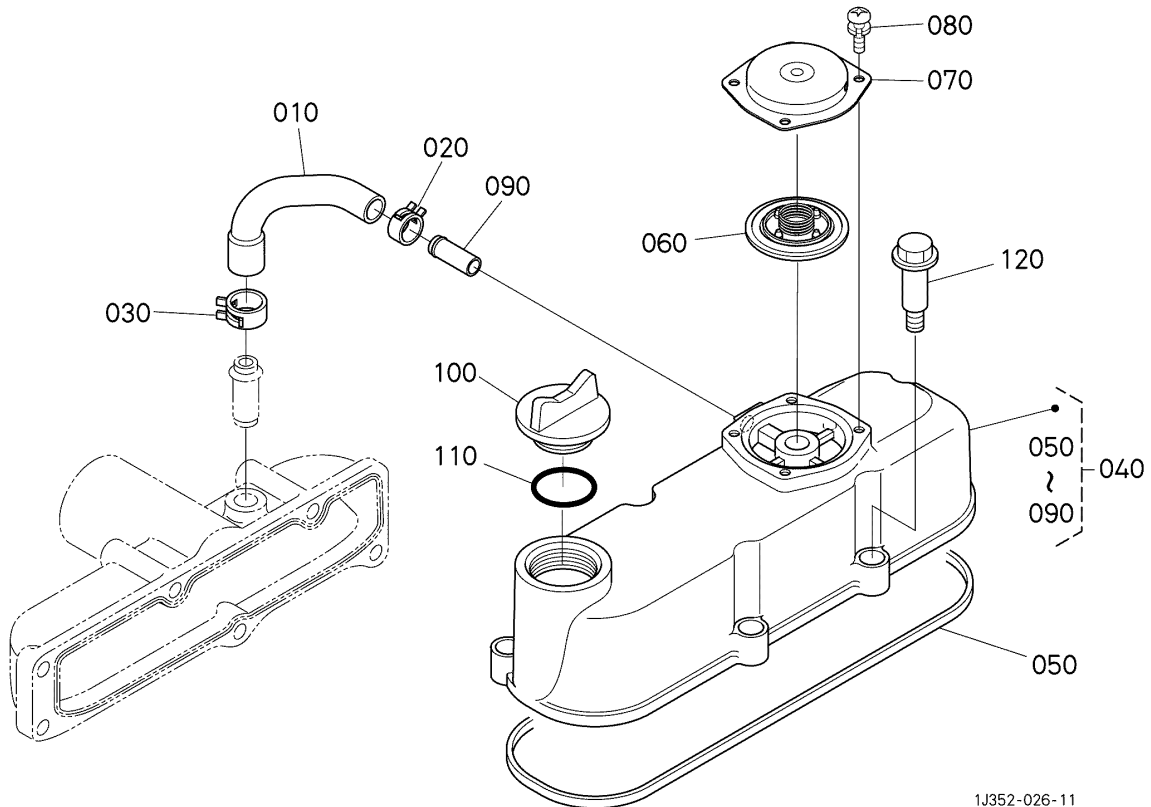
≡ Interchangeable

NI Not Interchangeable

>> New for Old

<< Old for New

No.	Part No.	Part Name	Qty	IC	Serial No./PIN	Remarks	Kg
110	1G700-04133	GASKET,GEAR CASE	1				0.015
120	1J095-91010	BOLT	3				0.01
130	1J095-91020	BOLT	4				0.011
140	1J095-91030	BOLT	2				0.012
150	1J097-91010	BOLT	2				0.014
160	1J095-91060	BOLT	6				0.017
170	16245-91530	STUD	1				0.01
180	02751-50060	NUT,FLANGE	1				0.005
200	16241-04212	SEAL,OIL	1				0.012
210	16245-91540	STUD	2				0.005
220	16264-83342	COVER,GEAR CASE	1				0.01
240	E9151-33140	PLUG(OIL FILLER)	1				0.017
250	1J001-96770	O RING	1				0.001
260	1G171-59660	SENSOR(REVOLUTION)	1		>=1NU0001		0.025
270	01023-50616	BOLT	1		>=1NU0001		0.006



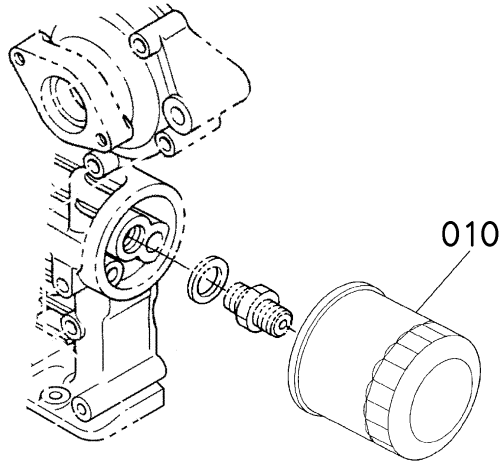
≡ Interchangeable

NI Not Interchangeable

>> New for Old

<< Old for New

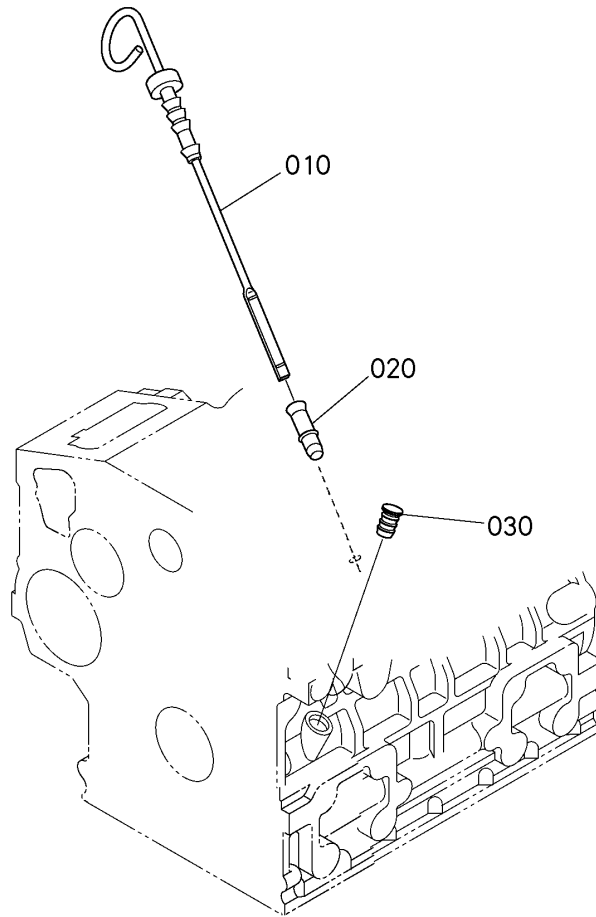
No.	Part No.	Part Name	Qty	IC	Serial No./PIN	Remarks	Kg
010	1G032-05512	TUBE,BREATHER	1				0.017
020	09318-88150	CLAMPHOSE	1				0.004
030	16259-05580	BAND,PIPE	1				0.03
040	1G700-14502	ASSY COVER,CYL.HEAD	1				0.78
050	1G700-14520	GASKET,HEAD COVER	1				0.02
060	1G911-05203	COMP VALVE,BREATHER	1				0.01
070	1G801-05120	COVER,BREATHER	1				0.035
080	03024-50510	SCREW,SEMS(PAN HEAD)	4				0.002
090	17331-73342	PIPE,WATER RETURN	1				0.01
100	E9151-33140	PLUG(OIL FILLER)	1				0.017
110	1J001-96770	O RING	1				0.001
120	1G911-91022	BOLT	5				0.015



1J402-005-10

= Interchangeable
NI Not Interchangeable
>> New for Old
<< Old for New

No.	Part No.	Part Name	Qty	IC	Serial No./PIN	Remarks	Kg
010	16271-32093	ASSY CARTRIDGE,OIL	1				0.4
010	HH160-32093	CARTRIDGE OIL FILTER	1				0.34



1J417-004-11

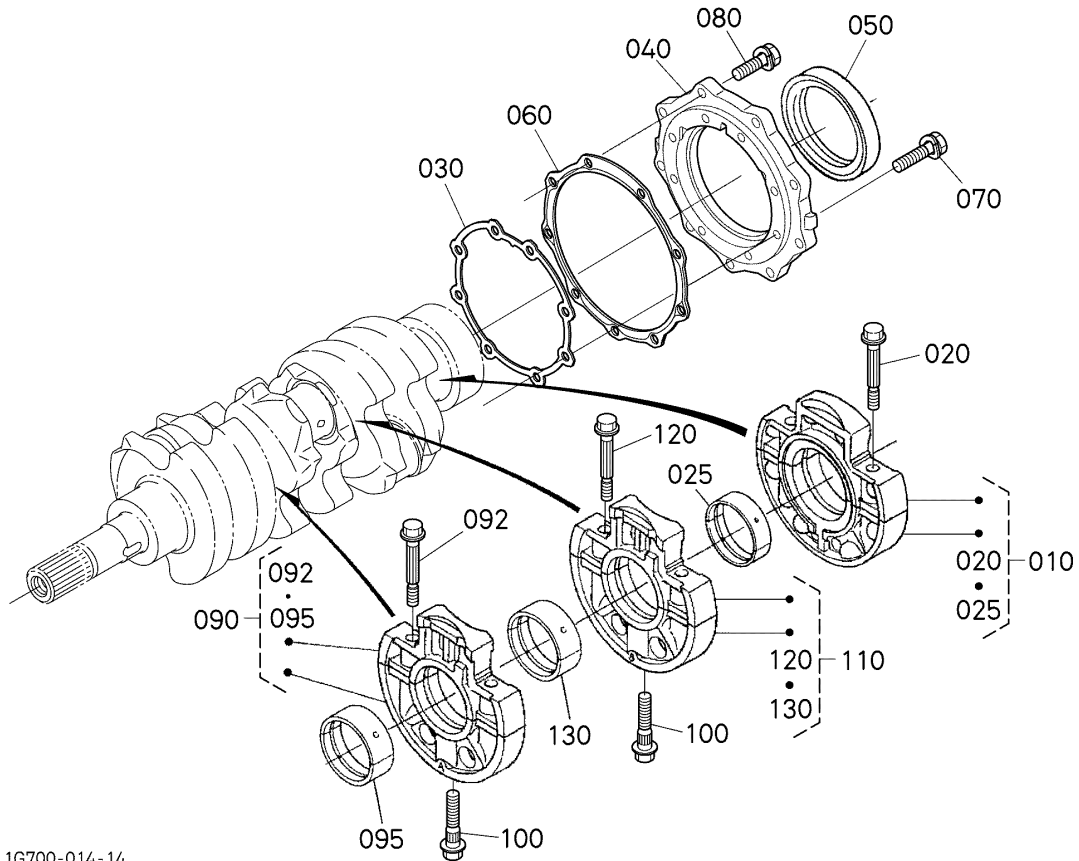
≡ Interchangeable

NI Not Interchangeable

>> New for Old

<< Old for New

No.	Part No.	Part Name	Qty	IC	Serial No./PIN	Remarks	Kg
010	1G700-36410	GAUGE,OIL	1				0.022
020	1J417-36420	GUIDE,OIL GAUGE	1				0.025
030	1G513-36550	PLUG,OIL GAUGE	1				0.004



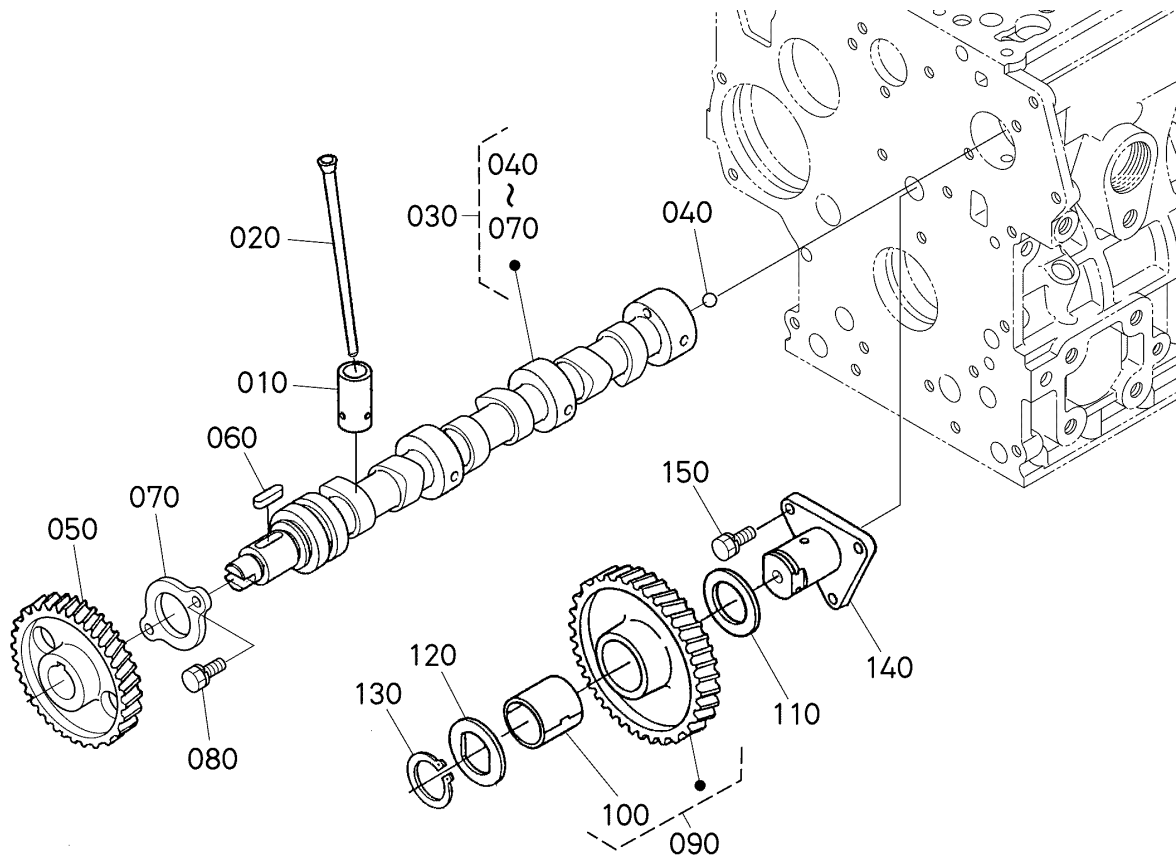
1G700-014-14

≡ Interchangeable NI Not Interchangeable >> New for Old << Old for New

No.	Part No.	Part Name	Qty	IC	Serial No./PIN	Remarks	Kg
010	16292-07097	ASSY BRG CASE	1				1.1
020	16241-04540	BOLT,BEARING CASE	2				0.02
025	16292-23494	METAL,CRANKSHAFT	1			STD SET	0.07
025	16292-23864	METAL,CRANKSHAFT	1			-0.20mm SET	0.05
025	16292-23874	METAL,CRANKSHAFT	1			-0.40mm SET	0.05
030	1J095-04360	GASKET(BRG.CASE)	1				0.006
040	16241-04815	COVER(CASE,BRG)	1				0.22
050	16285-04460	SEAL,OIL	1				0.003
060	16264-04822	GASKET	1				0.008
070	1G679-91012	BOLT	8				0.007
080	1G679-91022	BOLT	9				0.006
090	1G700-07040	ASSY BRG.CASE,MAIN	1				0.85

≡ Interchangeable NI Not Interchangeable >> New for Old << Old for New

No.	Part No.	Part Name	Qty	IC	Serial No./PIN	Remarks	Kg
092	16241-04540	BOLT,BEARING CASE	2				0.02
095	1G700-23480	METAL,CRANKSHAFT	1			STD/SET	0.05
095	1G700-23930	METAL,CRANKSHAFT	1			-0.20mm/SET	0.05
095	1G700-23940	METAL,CRANKSHAFT	1			-0.40mm/SET	0.05
100	16241-04560	BOLT(CASE,BRG)	2				0.03
110	1G700-07050	ASSY BRG.CASE,MAIN	1				0.86
120	16241-04540	BOLT,BEARING CASE	2				0.02
130	1G700-23480	METAL,CRANKSHAFT	1			STD/SET	0.05
130	1G700-23930	METAL,CRANKSHAFT	1			-0.20mm/SET	0.05
130	1G700-23940	METAL,CRANKSHAFT	1			-0.40mm/SET	0.05



1J991-046-10

≡ Interchangeable

NI Not Interchangeable

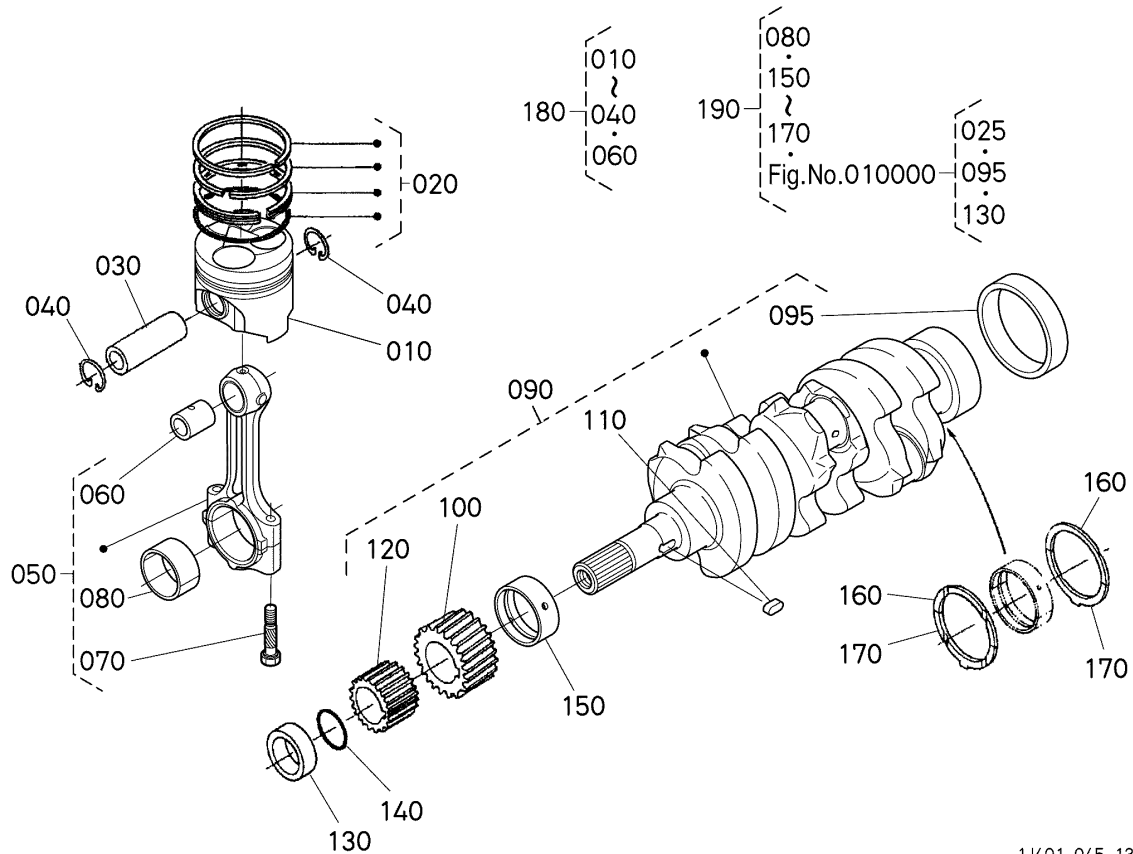
>> New for Old

<< Old for New

No.	Part No.	Part Name	Qty	IC	Serial No./PIN	Remarks	Kg
010	1G673-15550	TAPPET	6				0.035
020	1G700-15112	PUSH ROD	6				0.027
030	1J096-16010	CAMSHAFT,ASSY	1				1.55
040	07715-00401	BALL 1/4	1				0.001
050	16241-16515	GEAR,CAM	1				0.45
060	05712-00518	FEATHER KEY	1				0.003
070	1J097-16270	STOPPER(CAMSHAFT)	1				0.03
080	01023-50616	BOLT	2				0.006
090	16251-24012	COMP GEAR,IDLE	1				0.63
100	16271-24982	BUSH,IDLE GEAR	1				0.02
110	16251-24360	COLLAR(IDLE GEAR)	1				0.012
120	15741-24370	COLLAR(IDLE GEAR)	1				0.015

≡ Interchangeable
 NI Not Interchangeable
 >> New for Old
 << Old for New

No.	Part No.	Part Name	Qty	IC	Serial No./PIN	Remarks	Kg
130	15741-24320	CIR CLIP,IDLE GEAR	1				0.01
140	16251-24250	SHAFT,IDLE GEAR	1				0.36
150	01023-50616	BOLT	3				0.006



≡ Interchangeable NI Not Interchangeable >> New for Old << Old for New

No.	Part No.	Part Name	Qty	IC	Serial No./PIN	Remarks	Kg
010	1J097-21110	PISTON	3			STD	0.414
010	1J097-21910	PISTON(05)	3			+0.50mm	0.425
020	1J050-21050	RING,PISTON,ASSY	3			STD	0.04
020	1J050-21090	RING,PISTON,ASSY 05	3			+0.50mm	0.032
030	16241-21310	PIN,PISTON	3				0.135
040	16241-21330	CIRCLIP(PIN,PISTON)	6				0.002
050	16292-22016	ROD,CONNECTING,ASSY	3				0.526
060	1G700-21980	BUSH,PISTON PIN	3				0.01
070	16241-22142	BOLT(CONNECTING ROD)	6				0.024
080	16292-22310	METAL(PIN,CRANK)	3			STD SET	0.04
080	16292-22972	METAL,CRANKPIN	3			-0.20mm SET	0.033
080	16292-22982	METAL,CRANKPIN	3			-0.40mm SET	0.034

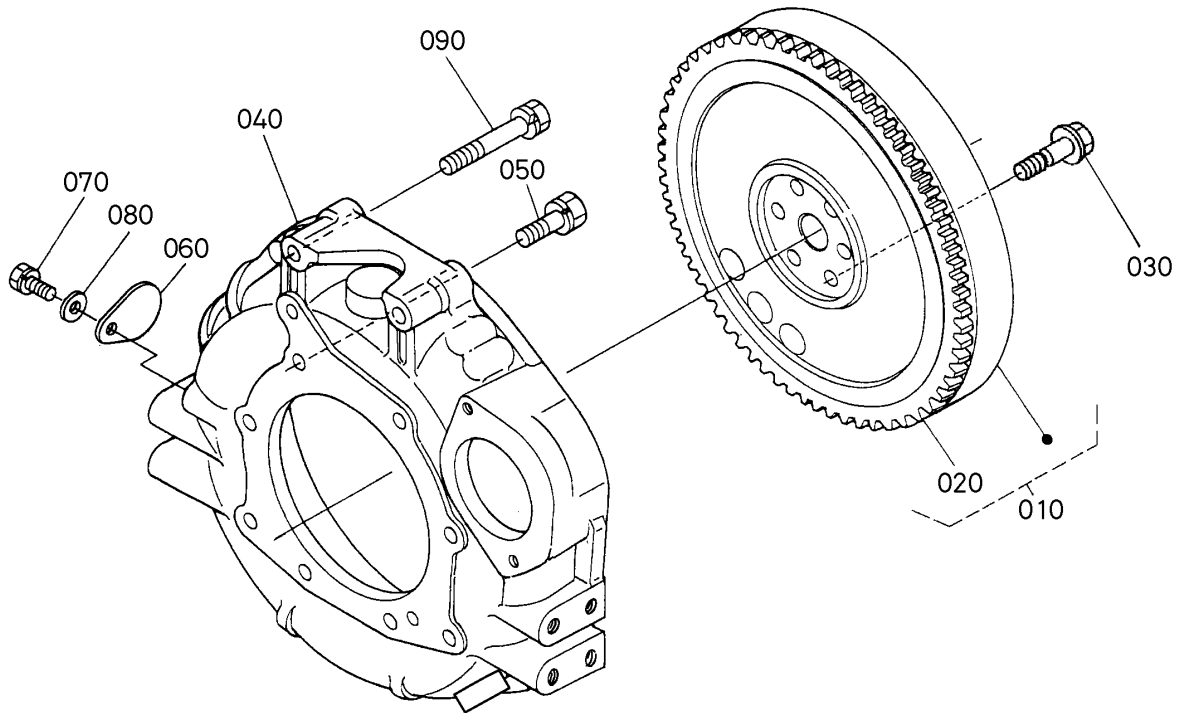
≡ Interchangeable

NI Not Interchangeable

>> New for Old

<< Old for New

No.	Part No.	Part Name	Qty	IC	Serial No./PIN	Remarks	Kg
090	1J040-23013	COMP.CRANKSHAFT	1				10.43
095	16241-23280	SLEEVE,CRANKSHAFT	1				0.06
100	1A055-24110	GEAR(CRANKSHAFT)	1				0.142
110	16271-95230	KEY	1				0.005
120	1J050-35630	GEAR(OIL PUMP DRIVE)	1				0.09
130	1J050-23250	COLLAR(CRANKSHAFT)	1				0.047
140	04814-10280	RING	1				0.001
150	1G700-23470	METAL,CRANKSHAFT	1			STD	0.018
150	1G700-23910	METAL,CRANKSHAFT	1			-0.20mm	0.05
150	1G700-23920	METAL,CRANKSHAFT	1			-0.40mm	0.055
160	15521-23533	METAL,SIDE	2			STD	0.01
160	15521-23953	METAL,SIDE	2			+0.20mm	0.01
160	15521-23963	METAL,SIDE	2			+0.40mm	0.01
170	19202-23543	METAL,SIDE	2			STD	0.01
170	19202-23973	METAL,SIDE	2			+0.20mm	0.01
170	19202-23983	METAL,SIDE	2			+0.40mm	0.01
180	1J097-21770	PISTON,KIT(STD)	3			STD	0.658
180	1J097-21790	PISTON,KIT(050)	3			+0.50mm	0.668
190	1G700-23753	KIT METAL,ENGINE	1			STD	0.406
190	1G700-23763	KIT METAL,ENGINE	1			-0.20mm/+0.20mm	0.42
190	1G700-23773	KIT METAL,ENGINE	1			-0.40mm/+0.40mm	0.45



1G348-001-12

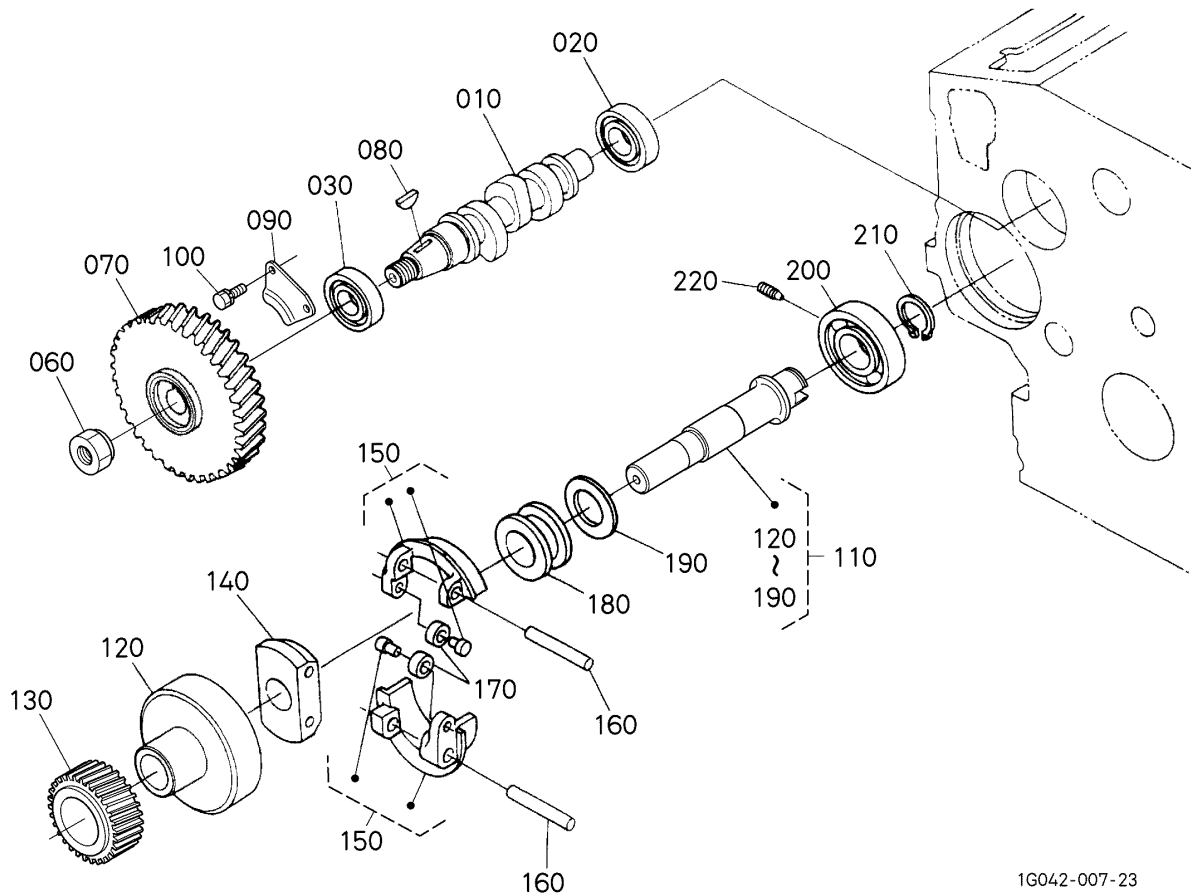
≡ Interchangeable

NI Not Interchangeable

>> New for Old

<< Old for New

No.	Part No.	Part Name	Qty	IC	Serial No./PIN	Remarks	Kg
010	1G900-25010	COMP.FLYWHEEL	1				12.15
020	16813-63820	GEAR,RING	1				0.62
030	16241-25160	BOLT,FLYWHEEL	6				0.03
040	1K576-04610	HOUSING,FLYWHEEL	1				10.22
050	15261-91190	BOLT	8				0.023
060	31220-14170	COVER	1				0.014
070	01123-50814	BOLT	1				0.01
080	04013-50080	WASHER,PLAIN	1				0.003
090	01133-51070	BOLT	2				0.047



1G042-007-23

≡ Interchangeable

NI Not Interchangeable

>> New for Old

<< Old for New

No.	Part No.	Part Name	Qty	IC	Serial No./PIN	Remarks	Kg
010	16020-16172	CAMSHAFT,FUEL	1				0.32
020	16261-97300	BEARING,BALL	1				0.044
030	16261-97310	BEARING,BALL	1				0.1
060	1J050-92330	NUT	1				0.021
070	1G077-51150	GEAR,INJECTION PUMP	1				0.493
080	16241-95230	KEY,WOODRUFF	1				0.001
090	16241-16320	STOPPER,FUEL.C/SHAFT	1				0.04
100	01023-50616	BOLT	2				0.006
110	16265-55019	ASSY SHAFT,GOVERNOR	1				1.12
120	16241-55392	HOLDER,GOVERNOR GEAR	1				0.34
130	16282-55320	GEAR,GOVERNOR	1				0.24
140	16241-55270	HOLDER,GOV.WEIGHT	1				0.085

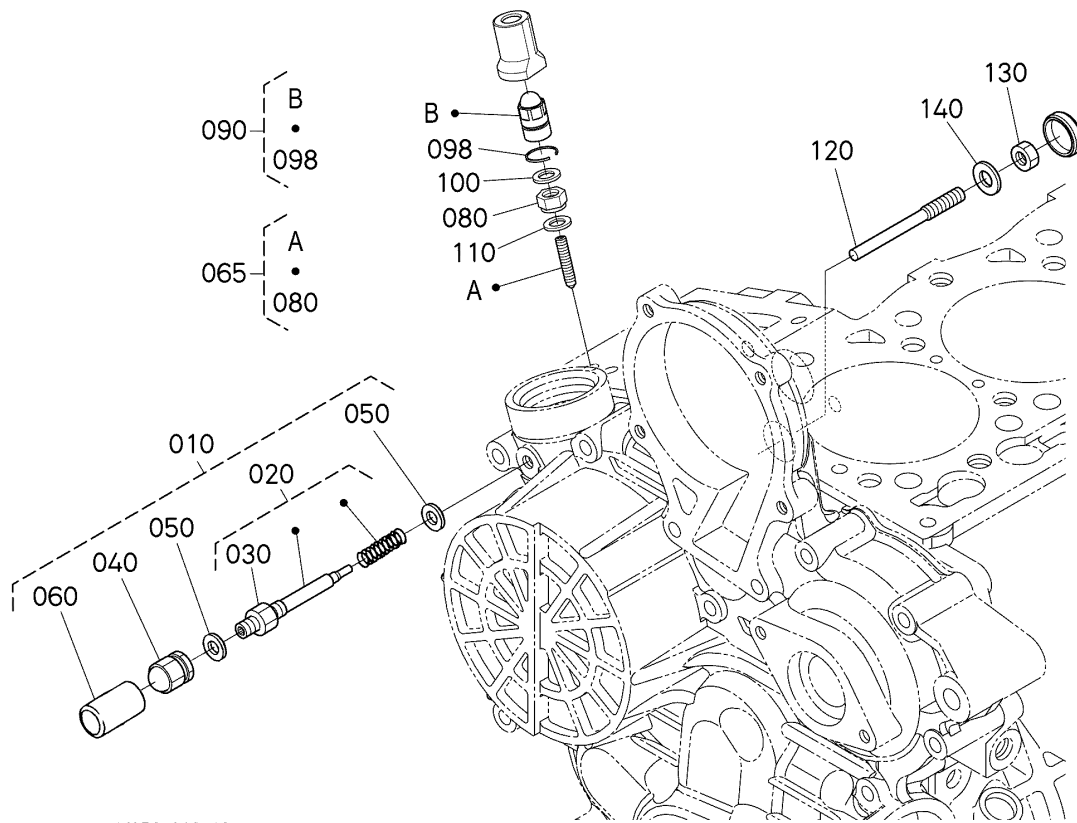
≡ Interchangeable

NI Not Interchangeable

>> New for Old

<< Old for New

No.	Part No.	Part Name	Qty	IC	Serial No./PIN	Remarks	Kg
150	16241-55064	COMP.WEIGHT,GOVERNOR	2				0.085
160	16241-55260	SHAFT,GOV. WEIGHT	2				0.013
170	19484-55440	ROLLER	2				0.005
180	16241-55450	SLEEVE,GOVERNOR	1				0.04
190	16241-55463	WASHER,THRUST	1				0.005
200	16261-97320	BALL BEARING	1				0.14
210	16271-55410	CIR CLIP,GOV.SHAFT	1				0.005
220	16241-55554	SCREW,SET	1				0.007



1J352-040-13

≡ Interchangeable NI Not Interchangeable >> New for Old << Old for New

No.	Part No.	Part Name	Qty	IC	Serial No./PIN	Remarks	Kg
010	16264-54092	ASSY APPARATUS,IDLE	1				0.02
020	16264-54103	BOLT	1				0.008
030	15841-92020	NUT	1				0.004
040	15852-92330	NUT	1				0.005
050	15601-96650	PACKING	2				0.001
060	16221-54420	CAP	1				0.001
065	1J097-54350	BOLT,ASSY(ADJUSTING)	1				0.007
080	1J094-54210	NUT(LOCK)	1				0.003
090	1J097-54380	NUT,CAP,ASSY	1				0.006
098	1J094-54280	CIRCLIP,INT	1				0.001
100	15601-96650	PACKING	1				0.001
110	15601-96650	PACKING	1				0.001

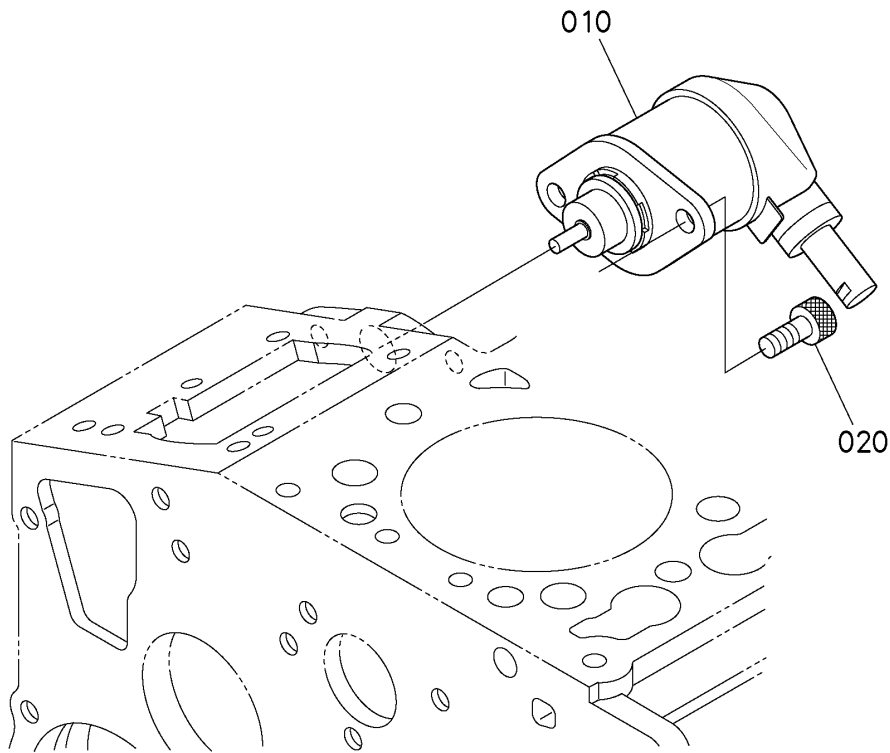
≡ Interchangeable

NI Not Interchangeable

>> New for Old

<< Old for New

No.	Part No.	Part Name	Qty	IC	Serial No./PIN	Remarks	Kg
120	1G053-54150	BOLT	1				0.009
130	02056-50060	NUT	1				0.002
140	15601-96650	PACKING	1				0.001



1J401-030-13

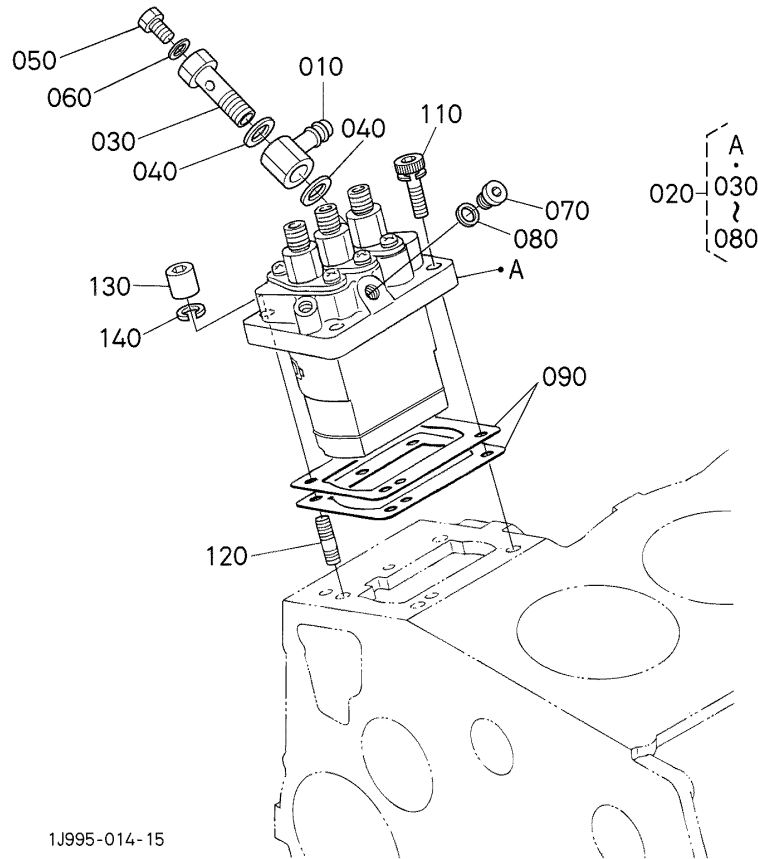
≡ Interchangeable

NI Not Interchangeable

>> New for Old

<< Old for New

No.	Part No.	Part Name	Qty	IC	Serial No./PIN	Remarks	Kg
010	17208-60016	ASSY SOLENOID,STOP	1				0.2
020	01311-10612	SCREW,HEX SOC CAP	2				0.005



≡ Interchangeable

NI Not Interchangeable

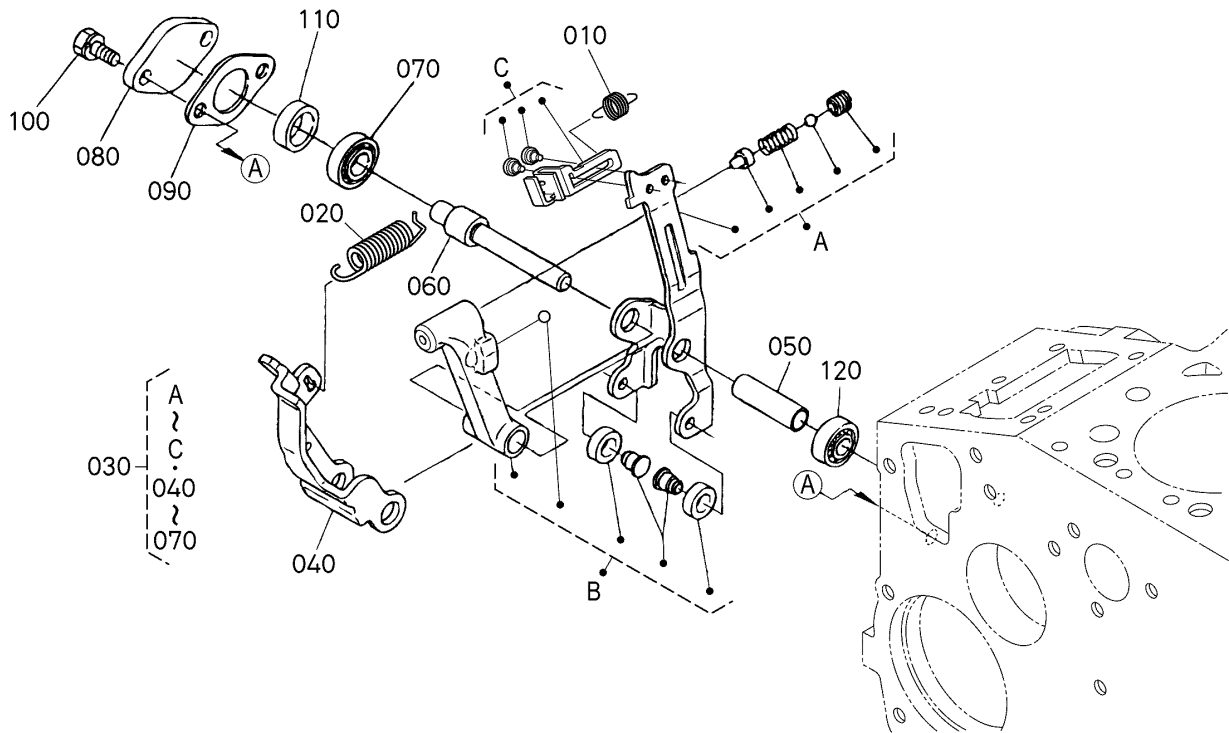
>> New for Old

<< Old for New

No.	Part No.	Part Name	Qty	IC	Serial No./PIN	Remarks	Kg
010	16241-95694	JOINT,EYE	1				0.05
020	16030-51013	ASSY PUMP,INJECTION	1				1.0
030	16030-51320	BOLT,CONNECTING	1				0.045
040	15841-96650	GASKET	2				0.001
050	15841-51350	SCREW	1				0.005
060	15841-96660	GASKET	1				0.001
070	16030-96010	PLUG	1				0.008
080	15861-96650	GASKET	1				0.001
090	1G700-52200	SHIM,INJECTION	1			0.175mm	0.005
090	16006-52092	SHIM,INJECTION	1			0.200mm	0.004
090	16006-52112	SHIM(INJECTION PUMP)	1			0.250mm	0.004
090	16006-52122	SHIM(INJECTION PUMP)	1			0.300mm	0.006

= Interchangeable
NI Not Interchangeable
>> New for Old
<< Old for New

No.	Part No.	Part Name	Qty	IC	Serial No./PIN	Remarks	Kg
090	1G700-52160	SHIM,INJECTION PUMP	1			0.350mm	0.004
110	16871-91060	SCREW,HEX SOC CAP	2				0.007
120	15841-91500	STUD	2				0.02
130	15841-92320	NUT,CAP	2				0.01
140	04512-50060	WASHER,SPRING LOCK	2				0.001



1J905-027-11

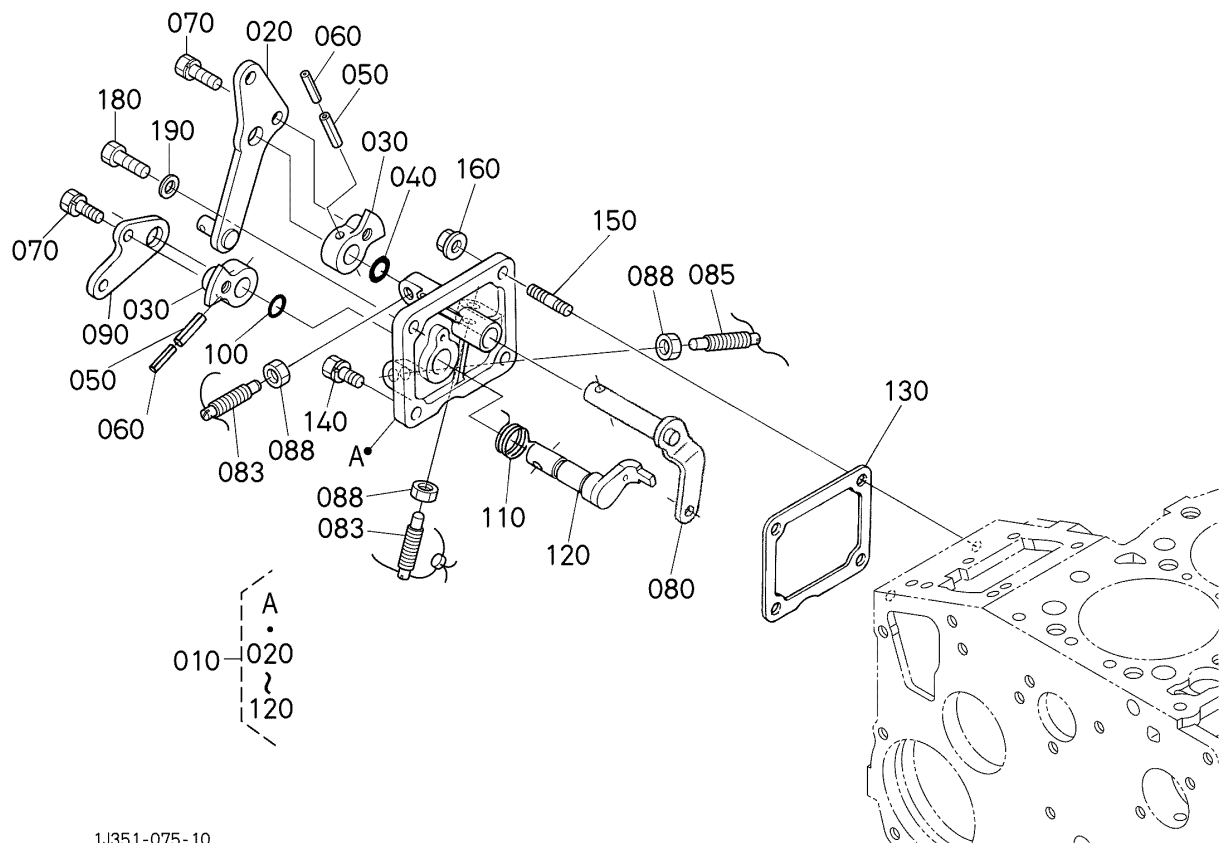
≡ Interchangeable

NI Not Interchangeable

>> New for Old

<< Old for New

No.	Part No.	Part Name	Qty	IC	Serial No./PIN	Remarks	Kg
010	17455-56480	SPRING,START	1				0.001
020	1G043-56410	SPRING,GOVERNOR	1				0.019
030	1J352-56010	LEVER,ASSY(FORK)	1				0.255
040	1G032-56130	LEVER,FORK	1				0.08
050	1G032-56150	SHAFT,FORK LEVER	1				0.007
060	1G032-56470	SHAFT,FORK LEVER	1				0.04
070	16241-56330	BEARING,MINIATURIZE	1				0.007
080	16241-56253	COVER,FORK LEV.SHAFT	1				0.025
090	16299-56260	GASKET	1				0.002
100	01023-50618	BOLT	2				0.006
110	16241-56210	COLLAR	1				0.008
120	16241-56340	BEARING,MINIATURIZE	1				0.007



1J351-075-10

≡ Interchangeable

NI Not Interchangeable

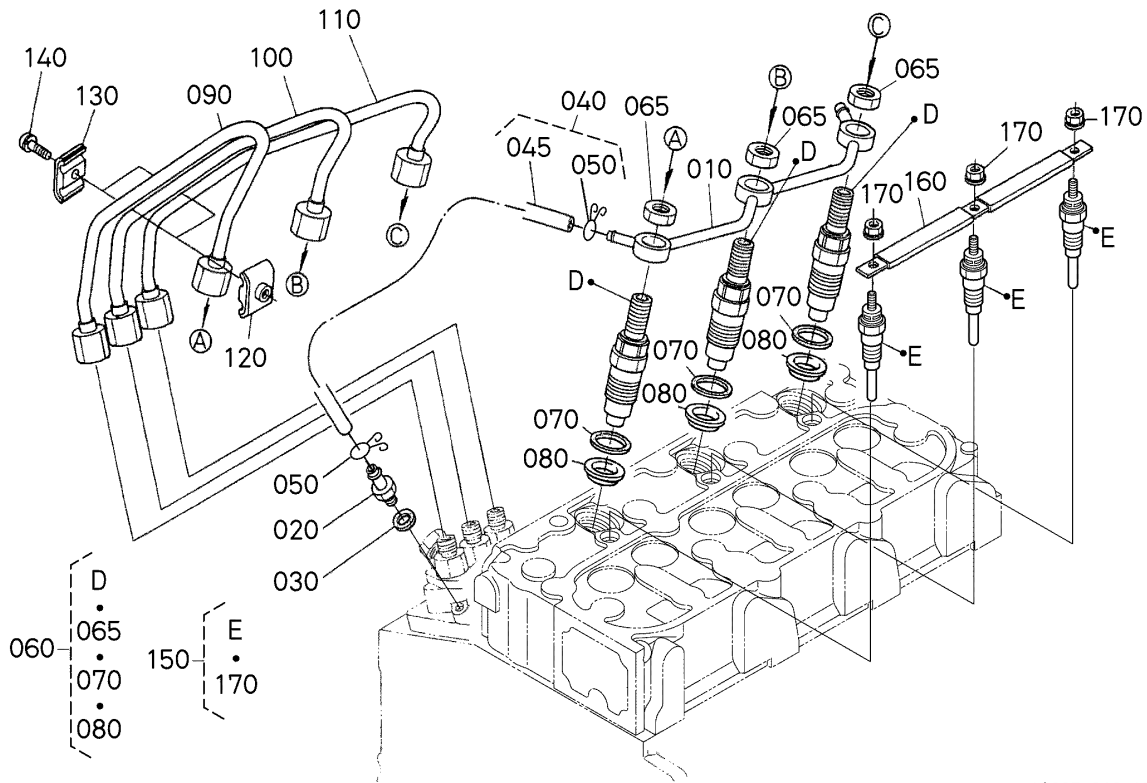
>> New for Old

<< Old for New

No.	Part No.	Part Name	Qty	IC	Serial No./PIN	Remarks	Kg
010	1G070-57014	ASSY PLATE,CONTROL	1				0.34
020	1G070-57152	LEVER,SPEED CONTROL	1				0.038
030	16205-57162	LEVER,SPEED CONTROL	2				0.02
040	04814-00100	O RING	1				0.001
050	05411-00420	PIN,SPRING	2				0.001
060	05411-02520	PIN,SPRING	2				0.001
070	01023-50612	BOLT	2				0.005
080	16205-56020	COMP.LEVER,GOVERNOR	1				0.02
083	16241-57632	BOLT(ADJUSTING)	2				0.005
085	1G263-57630	BOLT	1				0.005
088	02056-50060	NUT	3				0.002
090	16205-57720	LEVER,ENGINE STOP	1				0.02

≡ Interchangeable NI Not Interchangeable >> New for Old << Old for New

No.	Part No.	Part Name	Qty	IC	Serial No./PIN	Remarks	Kg
100	04814-10070	O-RING	1				0.001
110	16205-57510	SPRING,RETURN	1				0.002
120	16205-57740	COMP.LEVER,STOP	1				0.046
130	16264-57210	GASKET	1				0.002
140	01023-50616	BOLT	1				0.006
150	16245-91540	STUD	2				0.005
160	02751-50060	NUT,FLANGE	2				0.005
180	01053-50616	BOLT	1				0.005
190	15601-96650	PACKING	1				0.001



1G995-012-19

≡ Interchangeable

NI Not Interchangeable

>> New for Old

<< Old for New

No.	Part No.	Part Name	Qty	IC	Serial No./PIN	Remarks	Kg
010	16261-42502	ASSY PIPE,OVER FLOW	1				0.04
020	15841-51360	SCREW, BLEATHER	1				0.008
030	15601-96650	PACKING	1				0.001
040	15841-42502	ASSY PIPE,OVER FLOW	1				0.01
045	15841-42522	PIPE,FUEL OVER FLOW	1				0.006
050	14971-42750	CLIP,PIPE	2				0.001
060	1G677-53903	KIT HOLDER,NOZZLE	3				0.152
065	1G826-92032	NUT	3				0.004
070	15841-53622	GASKET	3				0.002
080	19077-53650	SEAL HEAT	3				0.002
090	1J097-53710	PIPE(INJECTION)	1				0.108
100	1J097-53720	PIPE(INJECTION)	1				0.108

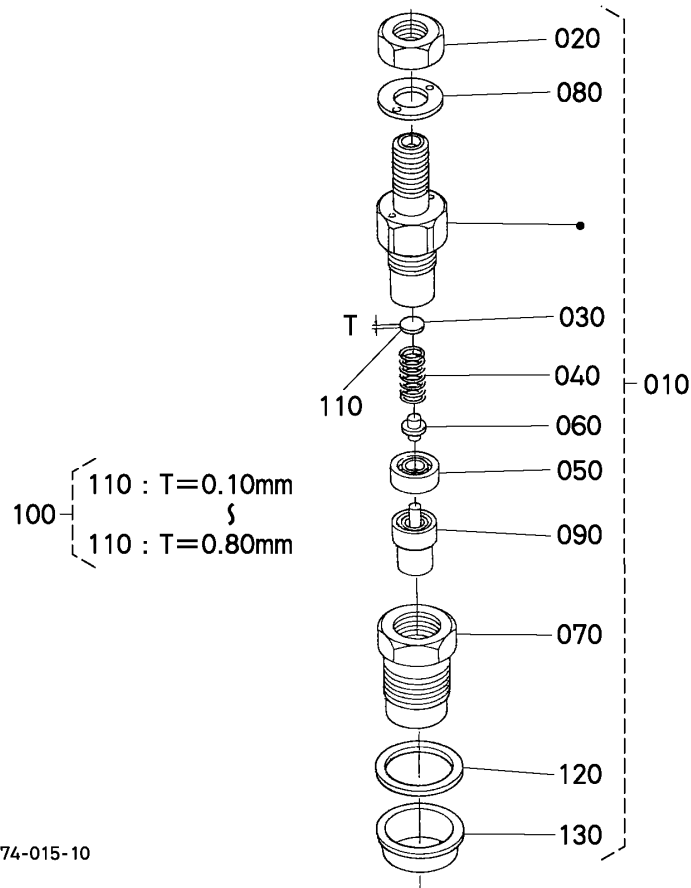
≡ Interchangeable

NI Not Interchangeable

>> New for Old

<< Old for New

No.	Part No.	Part Name	Qty	IC	Serial No./PIN	Remarks	Kg
110	1J097-53730	PIPE(INJECTION)	1				0.107
120	15841-53850	CLAMP,PIPE	2				0.008
130	15841-53860	CLAMP,PIPE	2				0.008
140	03024-50520	SCREW,SEMS(PAN HEAD)	2				0.004
150	1G679-65512	PLUG,GLOW	3				0.014
160	16261-65560	CORD,GLOW PLUG	1				0.01
170	02761-50040	NUT,FLANGE	3				0.002



≡ Interchangeable

NI Not Interchangeable

>> New for Old

<< Old for New

No.	Part No.	Part Name	Qty	IC	Serial No./PIN	Remarks	Kg
010	1G677-53903	KIT HOLDER,NOZZLE	3				0.152
020	1G826-92032	NUT	3				0.004
030	16032-53230	WASHER,ADJUSTING	3				0.001
040	16032-53170	SPRING,NOZZLE	3				0.007
050	16032-53350	SPACER,DISTANCE	3				0.02
060	16032-53160	PUSH ROD	3				0.001
070	16032-53280	NUT	3				0.037
080	16032-94040	WASHER,PLAIN	3				0.002
090	1G677-53612	PIECE,NOZZLE	3				0.019
100	16032-98100	ASSY WASHER,ADJUST	3			OPTION	0.016
110	16032-98500	WASHER,ADJUSTING	3			0.10mm	0.001
110	16032-98510	WASHER,ADJUSTING	3			0.20mm	0.001

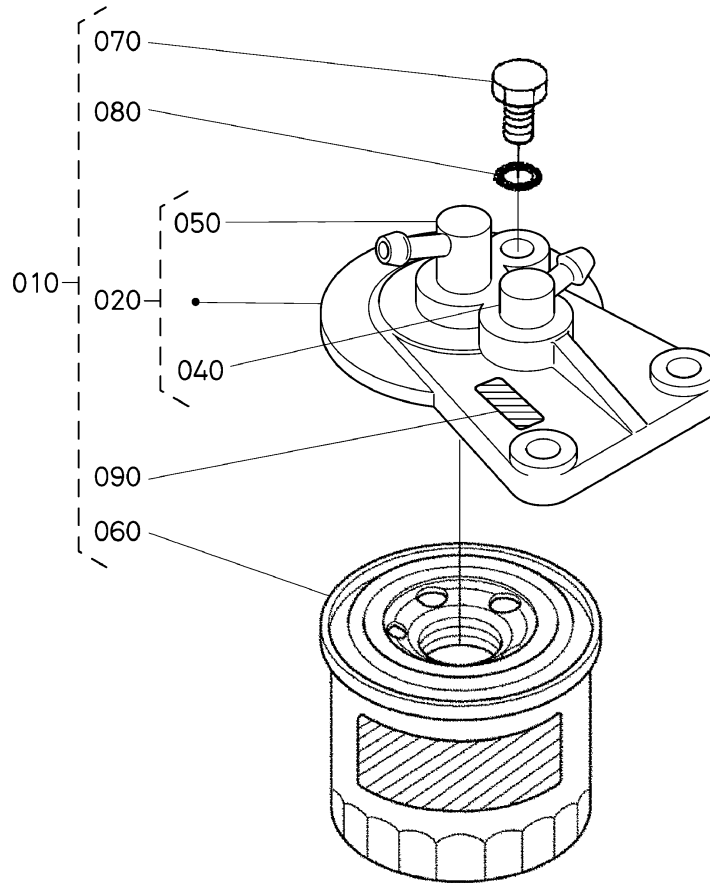
≡ Interchangeable

NI Not Interchangeable

>> New for Old

<< Old for New

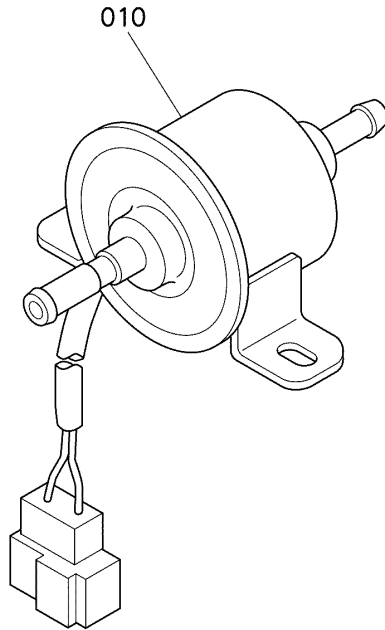
No.	Part No.	Part Name	Qty	IC	Serial No./PIN	Remarks	Kg
110	16032-98520	WASHER,ADJUSTING	3			0.30mm	0.001
110	16032-98530	WASHER,ADJUSTING	3			0.40mm	0.001
110	16032-98540	WASHER,ADJUSTING	3			0.50mm	0.001
110	16032-98550	WASHER,ADJUSTING	3			0.52mm	0.001
110	16032-98560	WASHER,ADJUSTING	3			0.54mm	0.001
110	16032-98570	WASHER,ADJUSTING	3			0.56mm	0.001
110	16032-98580	WASHER,ADJUSTING	3			0.58mm	0.001
110	16032-98590	WASHER,ADJUSTING	3			0.80mm	0.001
120	15841-53622	GASKET	3				0.002
130	19077-53650	SEAL HEAT	3				0.002



1G644-002-22

≡ Interchangeable NI Not Interchangeable >> New for Old << Old for New

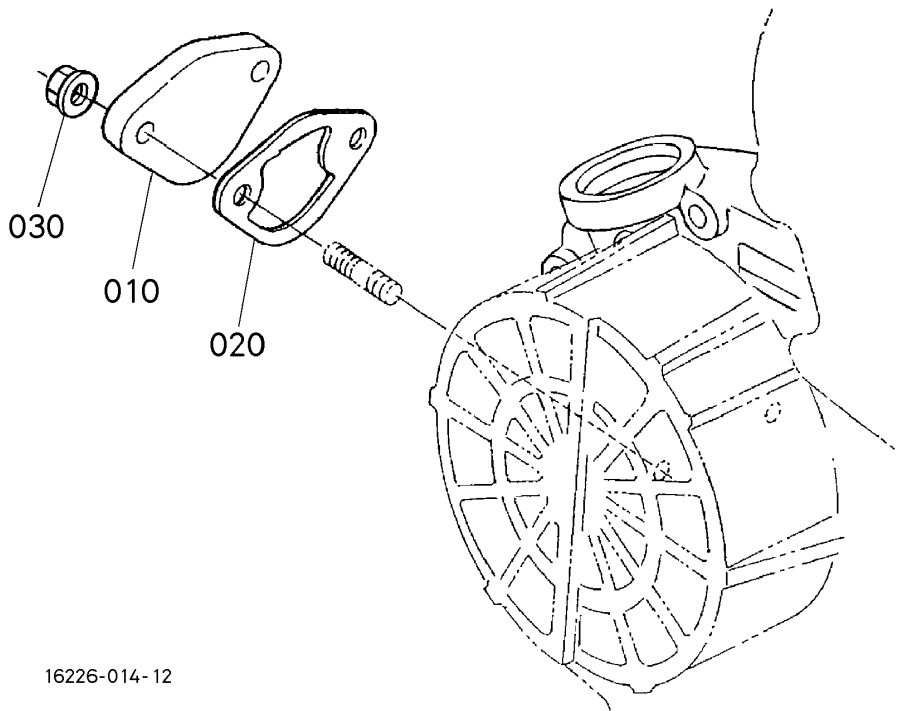
No.	Part No.	Part Name	Qty	IC	Serial No./PIN	Remarks	Kg
010	15224-43010	FILTER,ASSY(FUEL)	1				0.56
020	15224-43200	ASSY COVER,FILTER	1				0.215
040	15108-43610	JOINT,PIPE	1				0.02
050	15108-43780	JOINT,PIPE	1				0.02
060	15221-43170	ELEMENT,FILTER	1				0.3
070	19222-43280	PLUG,FILTER BREATHER	1				0.01
080	15108-43290	RING	1				0.001
090	15224-87760	MARK,FORM	1				0.003



17553-014-22

= Interchangeable
NI Not Interchangeable
>> New for Old
<< Old for New

No.	Part No.	Part Name	Qty	IC	Serial No./PIN	Remarks	Kg
010	1G639-52035	PUMP,FUEL	1				0.3



16226-014-12

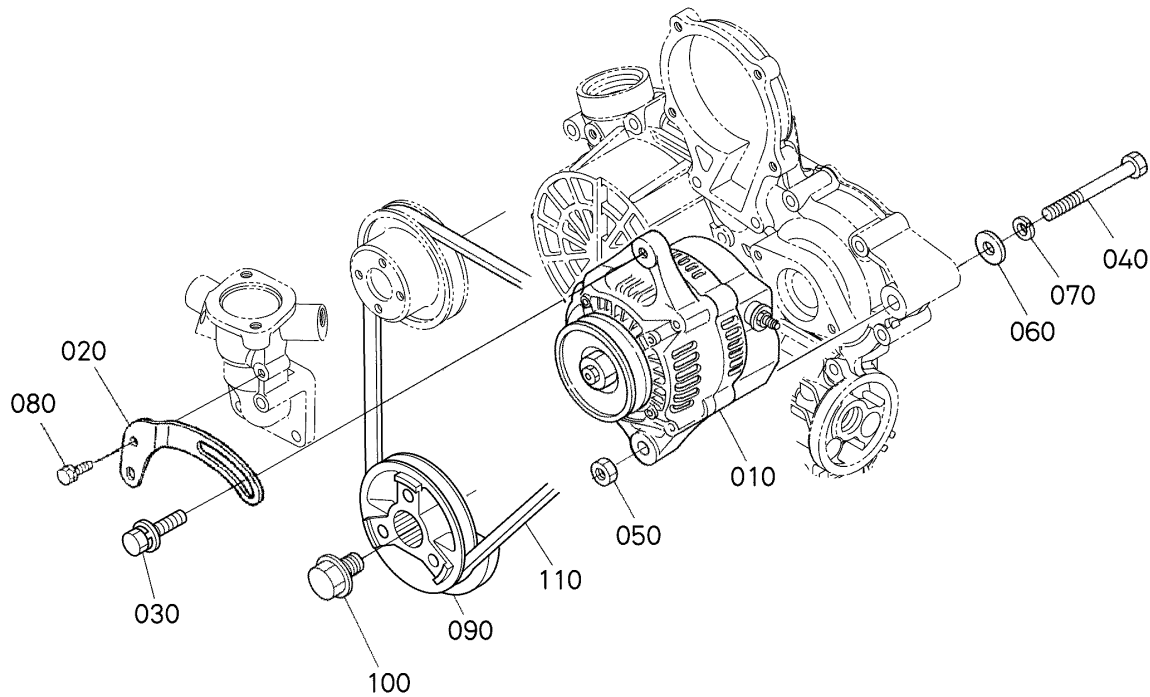
≡ Interchangeable

NI Not Interchangeable

>> New for Old

<< Old for New

No.	Part No.	Part Name	Qty	IC	Serial No./PIN	Remarks	Kg
010	15852-52850	COVER	1				0.05
020	16261-52140	GASKET,FUEL PUMP	1				0.001
030	02751-50060	NUT,FLANGE	2				0.005



1J352-096-10

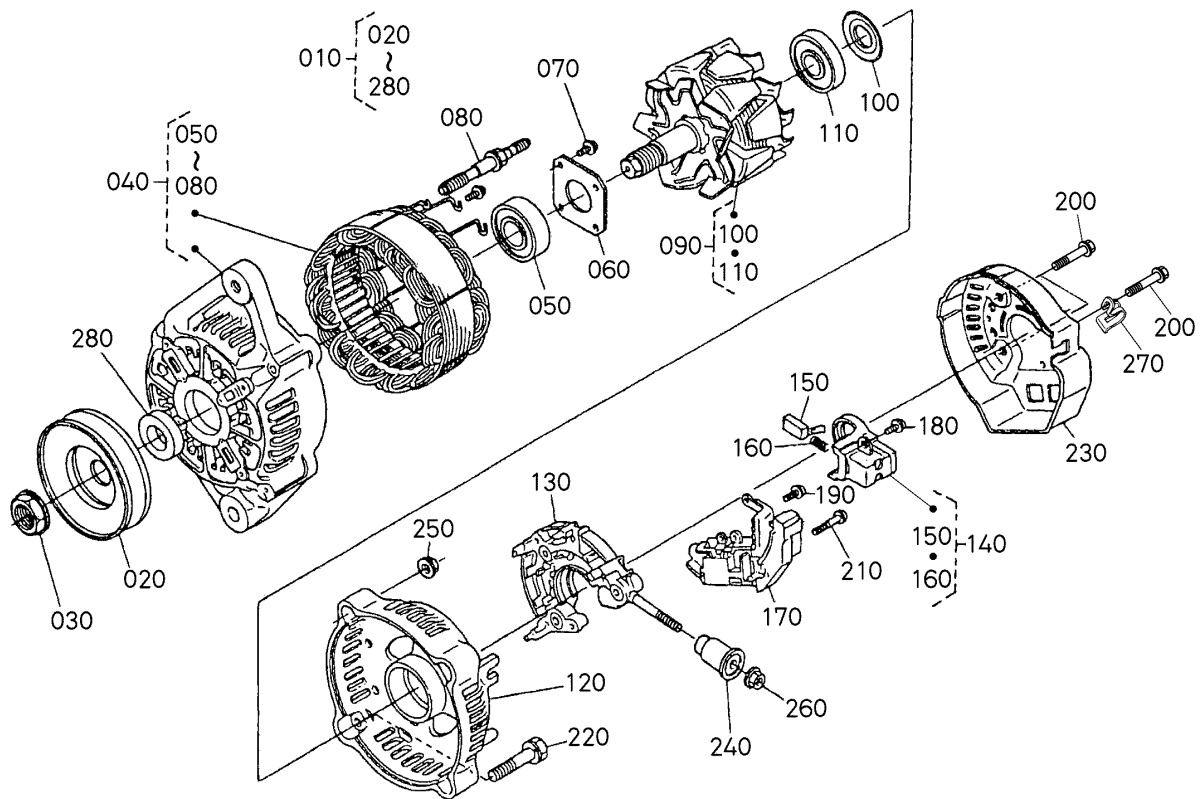
≡ Interchangeable

NI Not Interchangeable

>> New for Old

<< Old for New

No.	Part No.	Part Name	Qty	IC	Serial No./PIN	Remarks	Kg
010	19630-64015	ASSY ALTERNATOR	1			12V 60A	3.38
020	16615-64422	STAY,DYNAMO	1				0.112
030	01127-50830	BOLT	1				0.023
040	01173-51085	BOLT	1				0.051
050	02176-50100	NUT	1				0.005
060	04011-50100	WASHER,PLAIN	1				0.002
070	04512-50100	WASHER,SPRING LOCK	1				0.003
080	01023-50616	BOLT	1				0.006
090	1G900-74280	PULLEY,FAN DRIVE	1				1.25
100	16241-91020	BOLT(FAN DRIVE)	1				0.1
110	16206-97013	BELT	1			38in	0.07



1G644-008-12

≡ Interchangeable

NI Not Interchangeable

>> New for Old

<< Old for New

No.	Part No.	Part Name	Qty	IC	Serial No./PIN	Remarks	Kg
010	19630-64015	ASSY ALTERNATOR	1				3.38
020	15881-64110	PULLEY,DYNAMO	1				0.16
030	15881-92010	NUT	1				0.02
040	TA043-74032	FRAME,DRIVE END	1				1.275
050	16652-64782	BEARING BALL	1				0.05
060	15881-64710	PLATE, RETAINER	1				0.01
070	15881-93010	SCREW, ROUND HEAD	4				0.003
080	15881-64260	BOLT	2				0.01
090	TA043-64040	ROTOR	1				1.5
100	15881-64800	COVER, BEARING	1				0.001
110	16652-64770	BEARING BALL	1				0.045
120	TA043-64060	FRAME,END	1				0.2

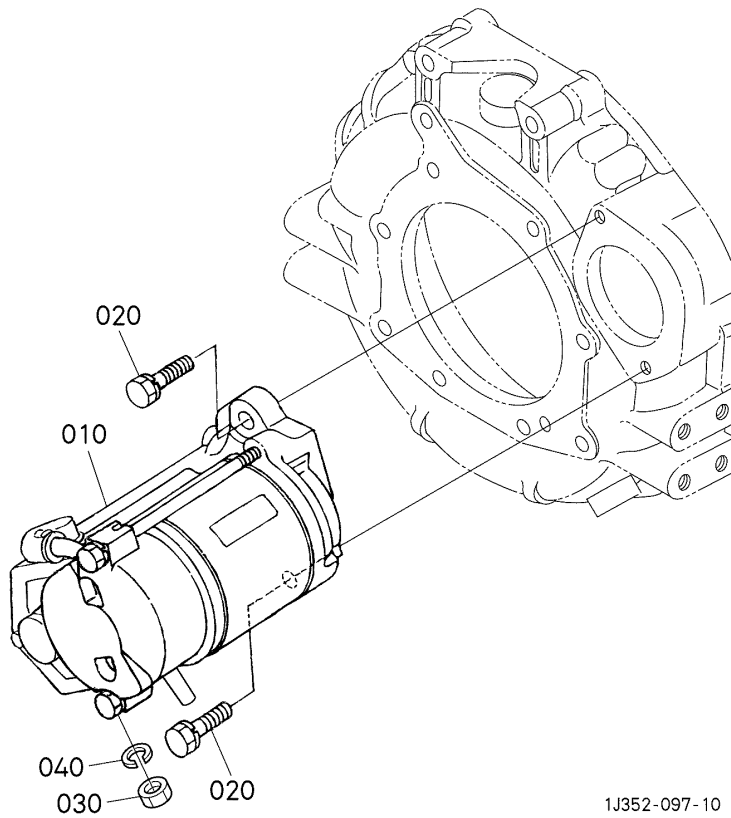
≡ Interchangeable

NI Not Interchangeable

>> New for Old

<< Old for New

No.	Part No.	Part Name	Qty	IC	Serial No./PIN	Remarks	Kg
130	TA043-64850	HOLDER	1				0.155
140	16652-64310	HOLDER BRUSH	1				0.025
150	15881-64090	BRUSH	2				0.002
160	15881-64330	SPRING, BRUSH	2				0.002
170	16652-64602	ASSY REGULATOR	1				0.08
180	15881-93030	SCREW, ROUND HEAD	6				0.003
190	15881-93040	SCREW, ROUND HEAD	1				0.003
200	15881-91040	BOLT	3				0.005
210	15881-93020	SCREW, ROUND HEAD	2				0.005
220	15881-91050	BOLT	2				0.01
230	16652-64230	COVER,END	1				0.035
240	15881-64900	BUSH,INSULATION	1				0.006
250	15881-92020	NUT	2				0.02
260	14182-92030	NUT	1				0.003
270	17369-67570	CLAMP CORD	1				0.001
280	15881-64150	COLLAR	1				0.004



1J352-097-10

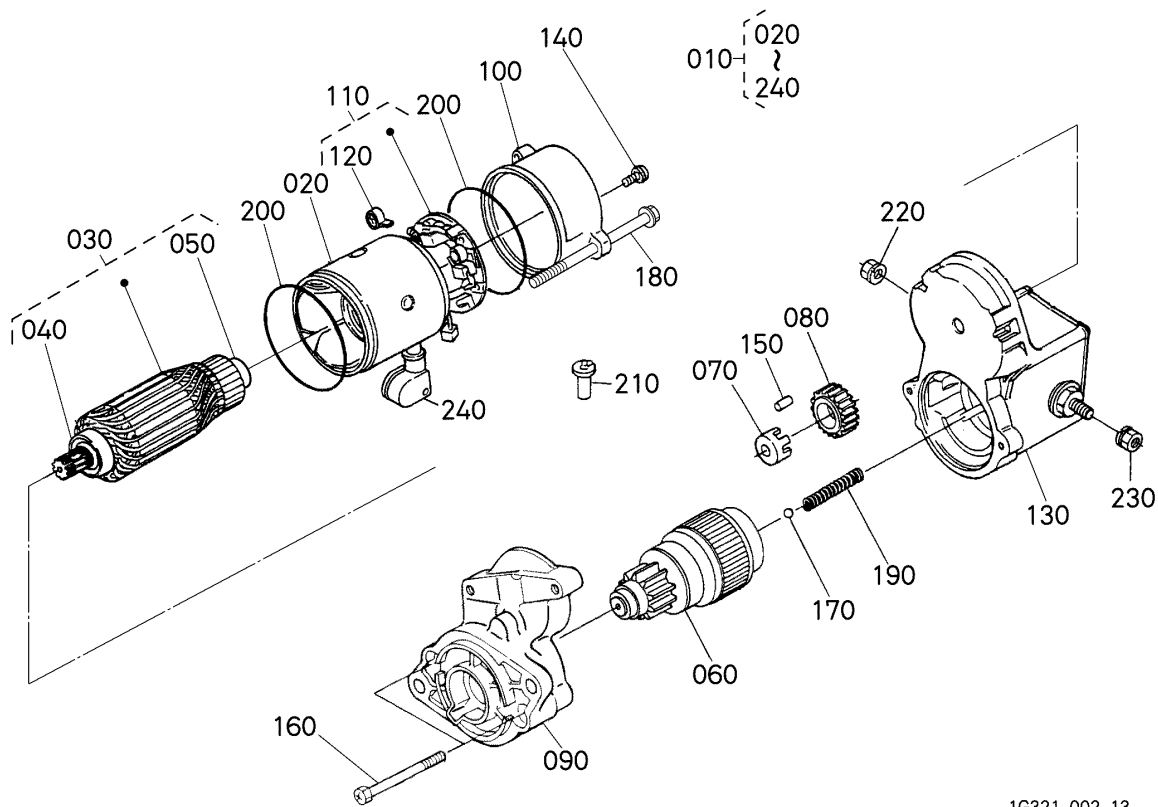
≡ Interchangeable

NI Not Interchangeable

>> New for Old

<< Old for New

No.	Part No.	Part Name	Qty	IC	Serial No./PIN	Remarks	Kg
010	19269-63010	STARTER,ASSY	1			12V 1.4kW	4.0
020	01123-50830	BOLT	2		<=1NHZ999		0.015
020	01123-50825	BOLT	2	>>	>=1NJ0001		0.013
030	02156-50080	NUT	1				0.004
040	04512-50080	WASHER,SPRING LOCK	1				0.002



1G321-002-13

≡ Interchangeable

NI Not Interchangeable

>> New for Old

<< Old for New

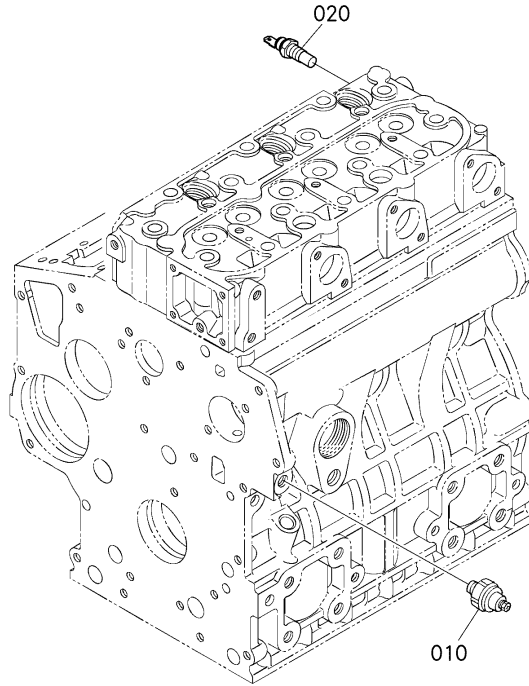
No.	Part No.	Part Name	Qty	IC	Serial No./PIN	Remarks	Kg
010	19269-63010	STARTER,ASSY	1				4.0
020	11197-63080	ASSY YOKE	1				0.92
030	11197-63070	ASSY ARMATURE	1				0.82
040	11460-63500	BEARING	1				0.03
050	11460-63530	BEARING	1				0.02
060	16611-63040	CLUTCH,OVER RUNNING	1				0.08
070	11460-63110	RETAINER	1				0.01
080	11460-63270	GEAR	1				0.04
090	16611-63030	FRAME,DRIVE END	1				0.1
100	17341-63200	FRAME,END	1				0.13
110	11197-63380	ASSY HOLDER,BRUSH	1				0.05
120	15401-63390	SPRING,BRUSH	4				0.003

≡ Interchangeable NI Not Interchangeable >> New for Old << Old for New

No.	Part No.	Part Name	Qty	IC	Serial No./PIN	Remarks	Kg
130	16285-63020	ASSY SWITCH,MAGNETIC	1				0.95
140	15511-63760	BOLT	2				0.005
150	19212-63100	ROLLER	5				0.002
160	11460-93310	BOLT	2				0.01
170	19212-97130	BALL	1				0.003
180	11197-63320	BOLT	2				0.02
190	11460-63120	SPRING	1				0.01
200	15511-96660	O RING	2				0.005
210	16285-63570	PIPE,DRAIN	1				0.005
220	16285-92010	NUT	1				0.005
230	13963-92010	NUT	1				0.005
240	11173-63130	COVER,TERMINAL	1				0.007

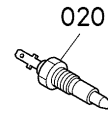
040600 OIL SWITCH ## D1305-E4B-RRBM-1
 D1305-E4B-RRBM-1 ENGINE

Update Date: 2023/05/09
 Printing Date: 2024/02/01



1J352-107-10

OLD



1J352-817-10

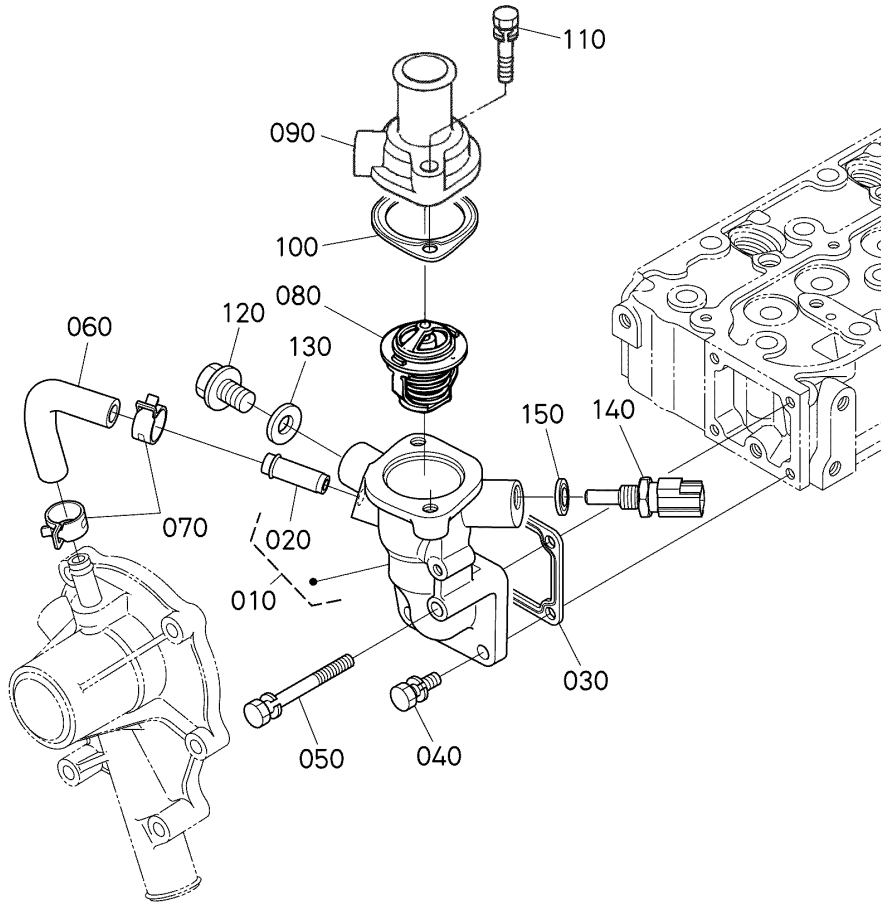
≡ Interchangeable

NI Not Interchangeable

>> New for Old

<< Old for New

No.	Part No.	Part Name	Qty	IC	Serial No./PIN	Remarks	Kg
010	15841-39013	SWITCH,OIL	1				0.03
020	16222-83043	ASSY THERMOSWITCH	1		<=1NPZ999		0.02
020	1G498-83040	SENSOR(COOLANT TEMP.)	1	NI	>=1NQ0001		0.011



1J991-003-12

≡ Interchangeable NI Not Interchangeable >> New for Old << Old for New

No.	Part No.	Part Name	Qty	IC	Serial No./PIN	Remarks	Kg
010	1J061-72700	FLANGE,WATER,COMP	1				0.267
020	16241-73370	PIPE,WATER RETURN	1				0.007
030	16264-72920	GASKET,WATER FLANGE	1				0.001
040	01023-50616	BOLT	3				0.006
050	01023-50655	BOLT	1				0.012
060	16241-73350	PIPE,WATER RETURN	1				0.015
070	1G687-73362	CLAMP,HOSE	2				0.002
080	19434-73015	ASSY THERMOSTAT	1				0.07
090	16219-73260	COVER(THERMOSTAT)	1				0.099
100	16221-73270	GASKET,THEMOSTAT	1				0.001
110	01123-50835	BOLT	2				0.02
120	06311-55030	PLUG	1				0.05

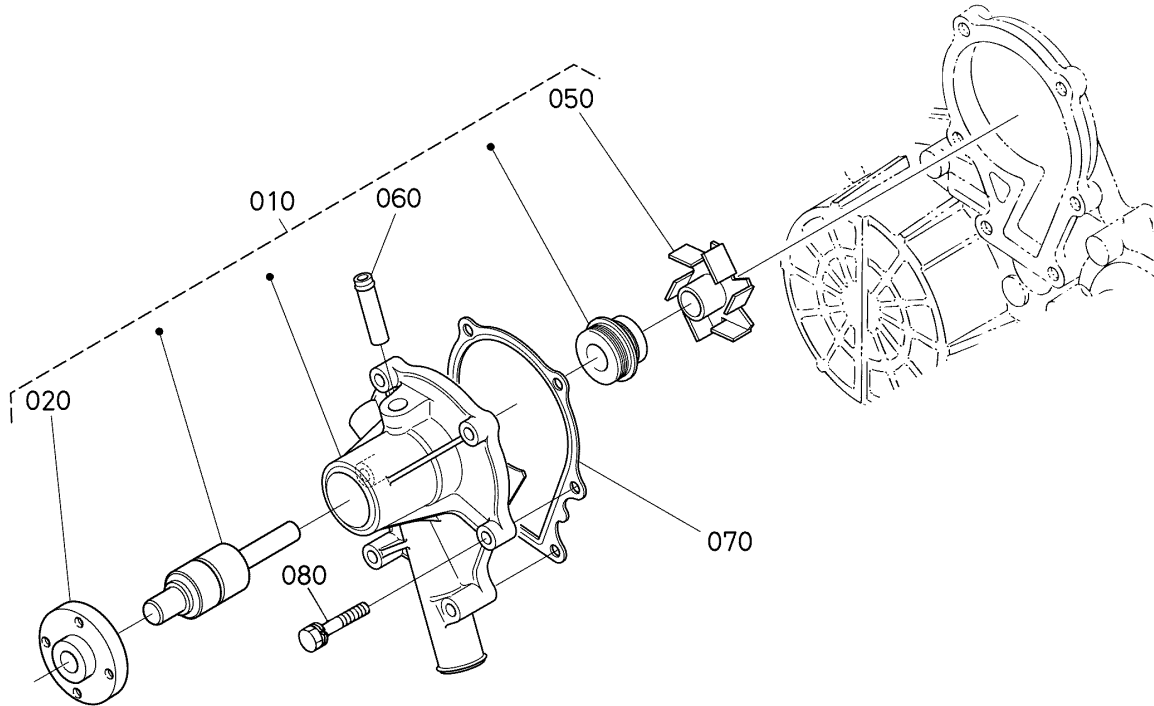
≡ Interchangeable

NI Not Interchangeable

>> New for Old

<< Old for New

No.	Part No.	Part Name	Qty	IC	Serial No./PIN	Remarks	Kg
130	16261-96710	GASKET	1				0.002
140	15668-83040	SENSOR,WATER TEMP.	1				0.04
150	04717-01200	WASHER,SEAL	1				0.002



1J352-009-12

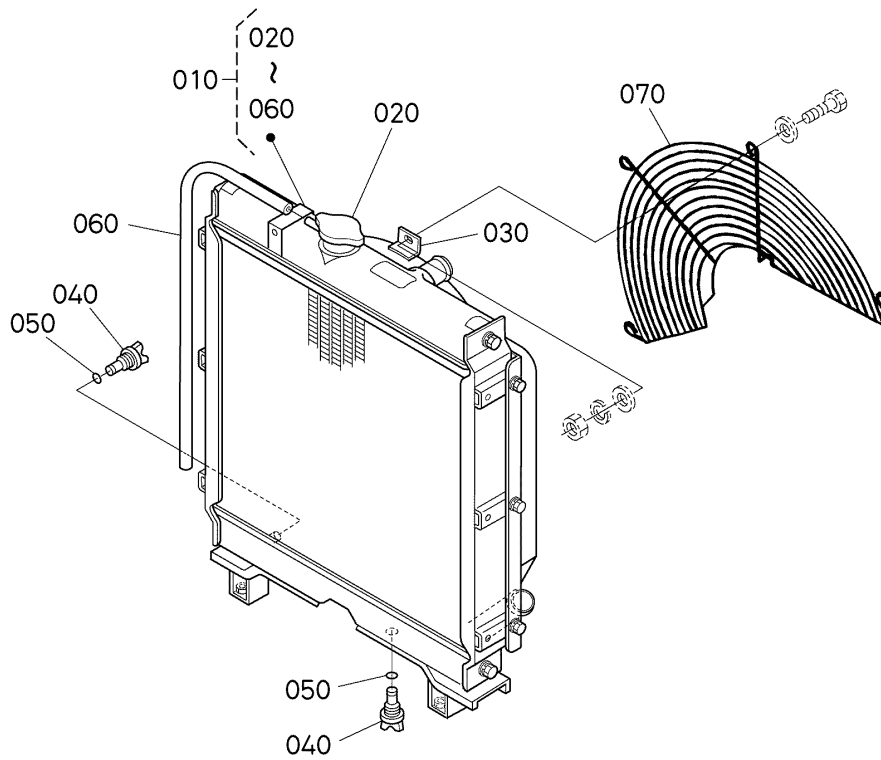
≡ Interchangeable

NI Not Interchangeable

>> New for Old

<< Old for New

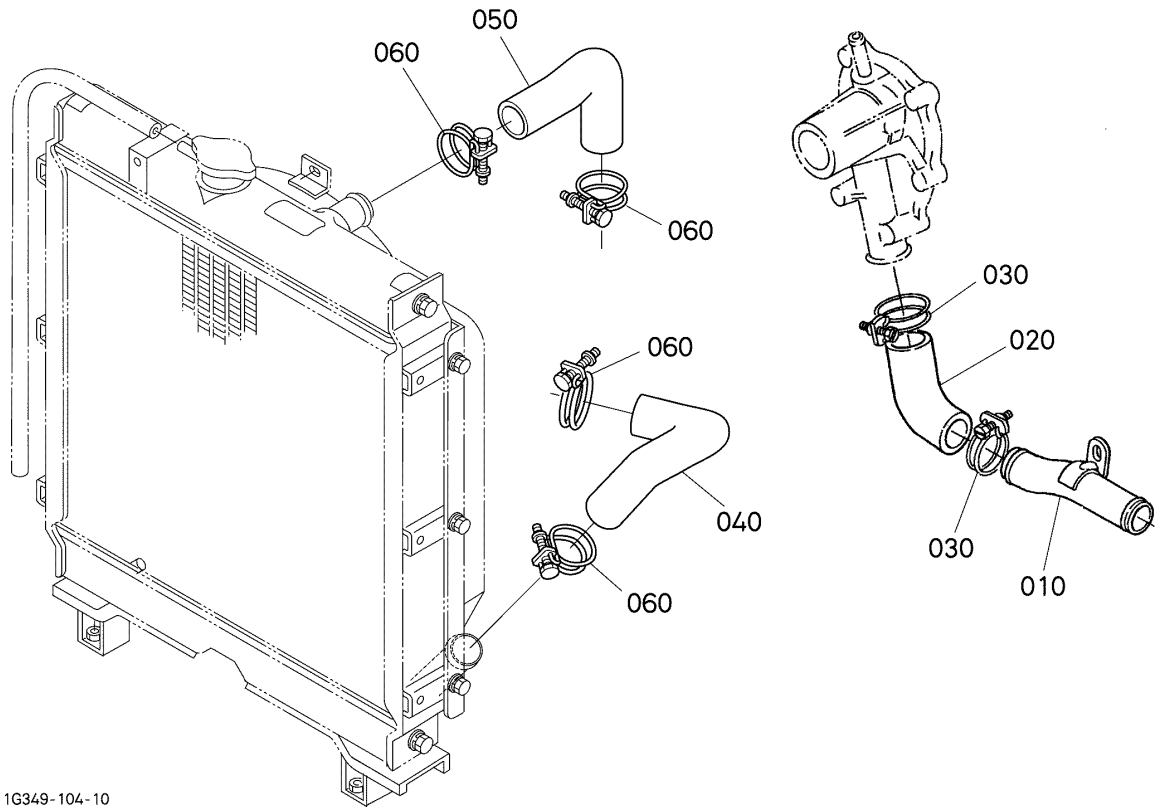
No.	Part No.	Part Name	Qty	IC	Serial No./PIN	Remarks	Kg
010	16251-73037	ASSY PUMP,WATER	1				0.8
020	16259-73520	FLANGE,WATER PUMP	1				0.15
050	16259-73512	IMPELLER,WATER PUMP	1				0.09
060	15852-73340	PIPE,WATER RETURN	1				0.02
070	16239-73430	GASKET,WATER PUMP	1				0.007
080	01023-50630	BOLT	4				0.008



1G324-183-10

≡ Interchangeable NI Not Interchangeable >> New for Old << Old for New

No.	Part No.	Part Name	Qty	IC	Serial No./PIN	Remarks	Kg
010	1G996-72060	ASSY RADIATOR	1				6.15
020	17580-16060	CAP,RADIATOR	1				0.04
030	1G996-72330	SHROUD,FAN	1				1.44
040	34070-16070	PLUG,DRAIN	2				0.005
050	34070-16090	O RING	2				0.001
060	15401-72710	PIPE,WATER OVER FLOW	1				0.032
070	1G690-74120	COVER,FAN	1				0.2



1G349-104-10

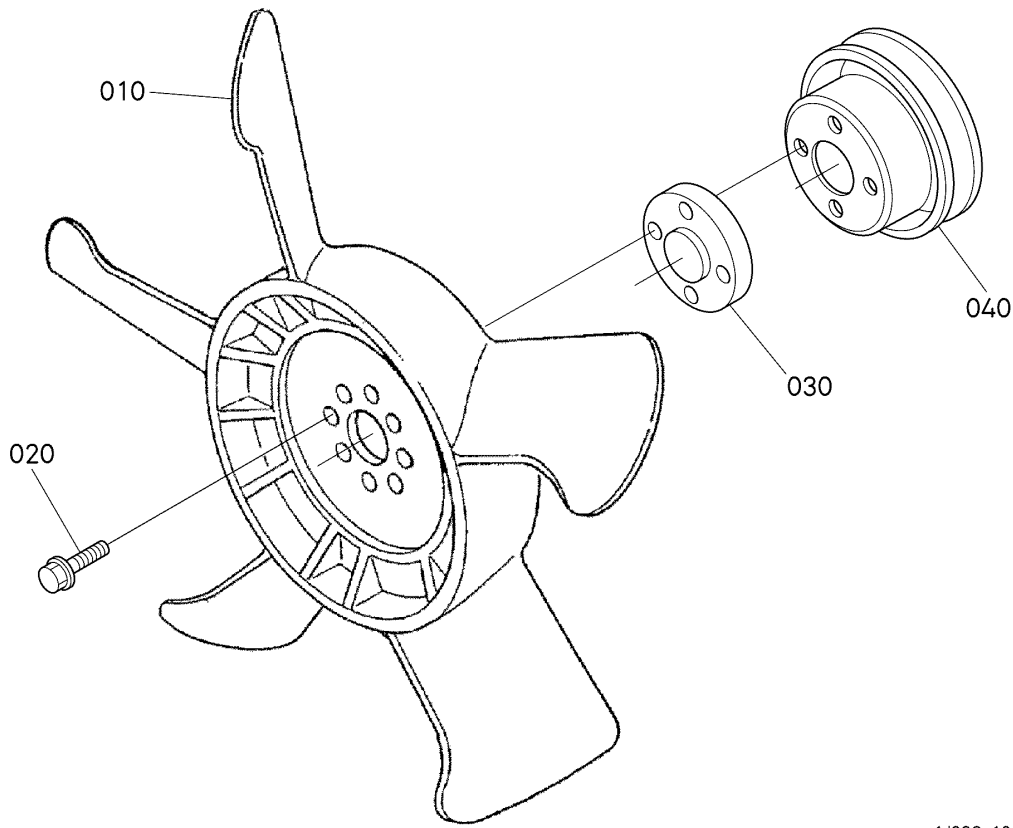
≡ Interchangeable

NI Not Interchangeable

>> New for Old

<< Old for New

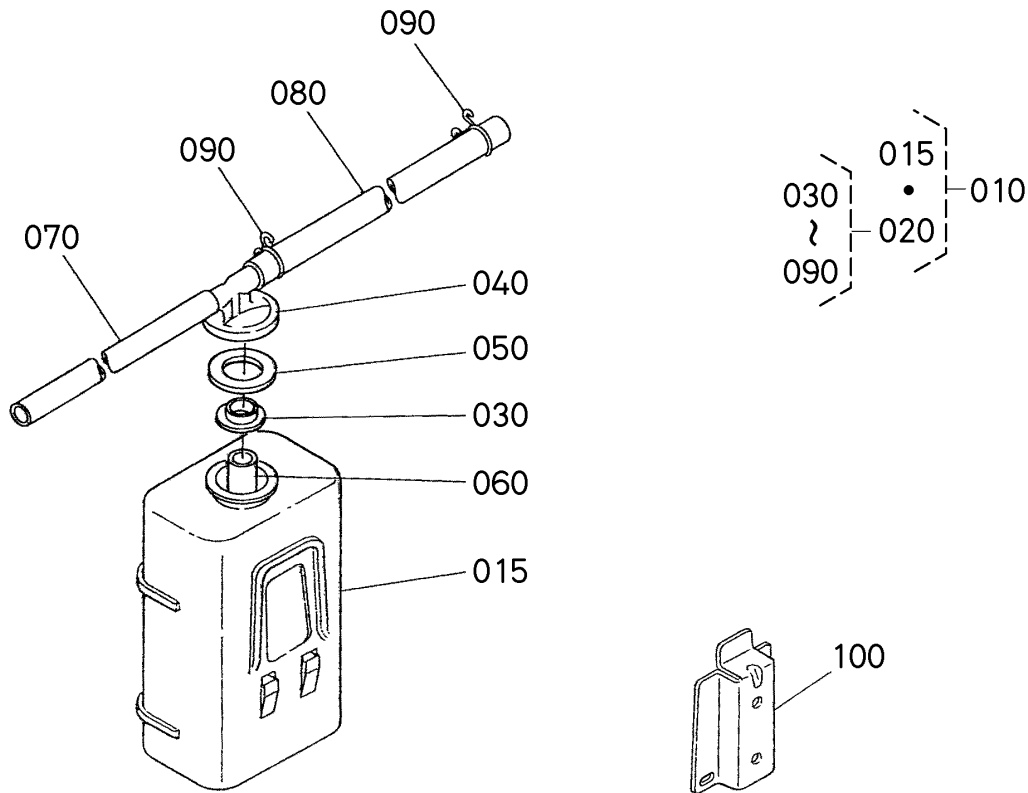
No.	Part No.	Part Name	Qty	IC	Serial No./PIN	Remarks	Kg
010	17203-72860	PIPE,WATER	1				0.16
020	1G680-72870	PIPE,WATER	1				0.053
030	1G677-72960	CLAMP,HOSE	2				0.024
040	1G996-72850	HOSE,WATER	1				0.13
050	1K548-72940	HOSE,WATER	1				0.135
060	09318-89039	CLAMP,HOSE	4				0.02



1J996-104-11

= Interchangeable
NI Not Interchangeable
>> New for Old
<< Old for New

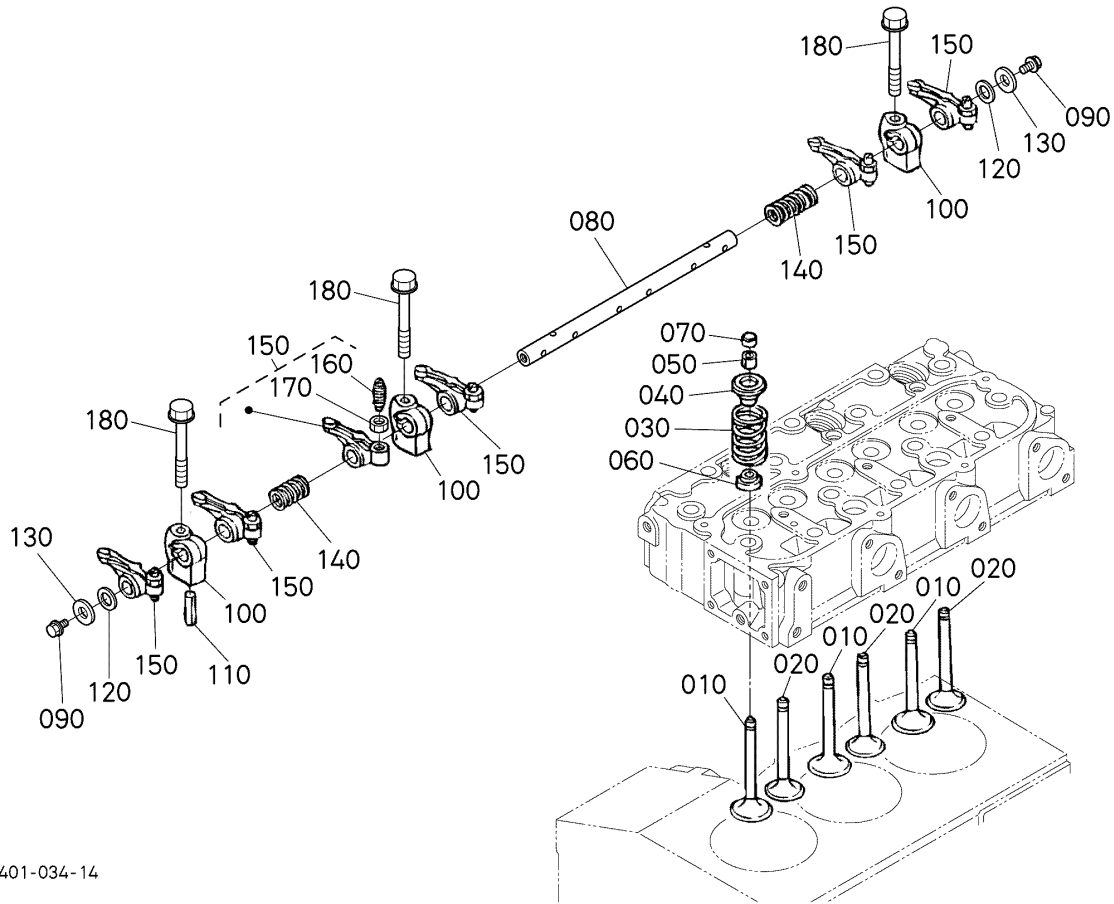
No.	Part No.	Part Name	Qty	IC	Serial No./PIN	Remarks	Kg
010	16283-74110	FAN	1				0.45
020	01754-50620	BOLT,FLANGE	4				0.007
030	15876-74152	COLLAR,FAN	1				0.05
040	16241-74250	PULLEY,FAN	1				0.24



16347-019-11

≡ Interchangeable NI Not Interchangeable >> New for Old << Old for New

No.	Part No.	Part Name	Qty	IC	Serial No./PIN	Remarks	Kg
010	RC411-42680	ASSY TANK,RESERVE	1				0.32
015	15531-72410	BODY TANK	1				0.4
020	RC411-42850	ASSY CAP	1				0.14
030	3G704-17390	PLATE	1				0.001
040	15531-72422	CAP	1				0.001
050	15531-72432	PACKING	1				0.002
060	RC411-42860	HOSE	1				0.015
070	6C070-58850	PIPE,WATER OVER FLOW	1				0.025
080	RC411-42870	HOSE	1				0.1
090	15501-72470	CLIP, PIPE	2				0.005
100	11982-72460	STAY,RESERVE TANK	1				0.04



1J401-034-14

≡ Interchangeable

NI Not Interchangeable

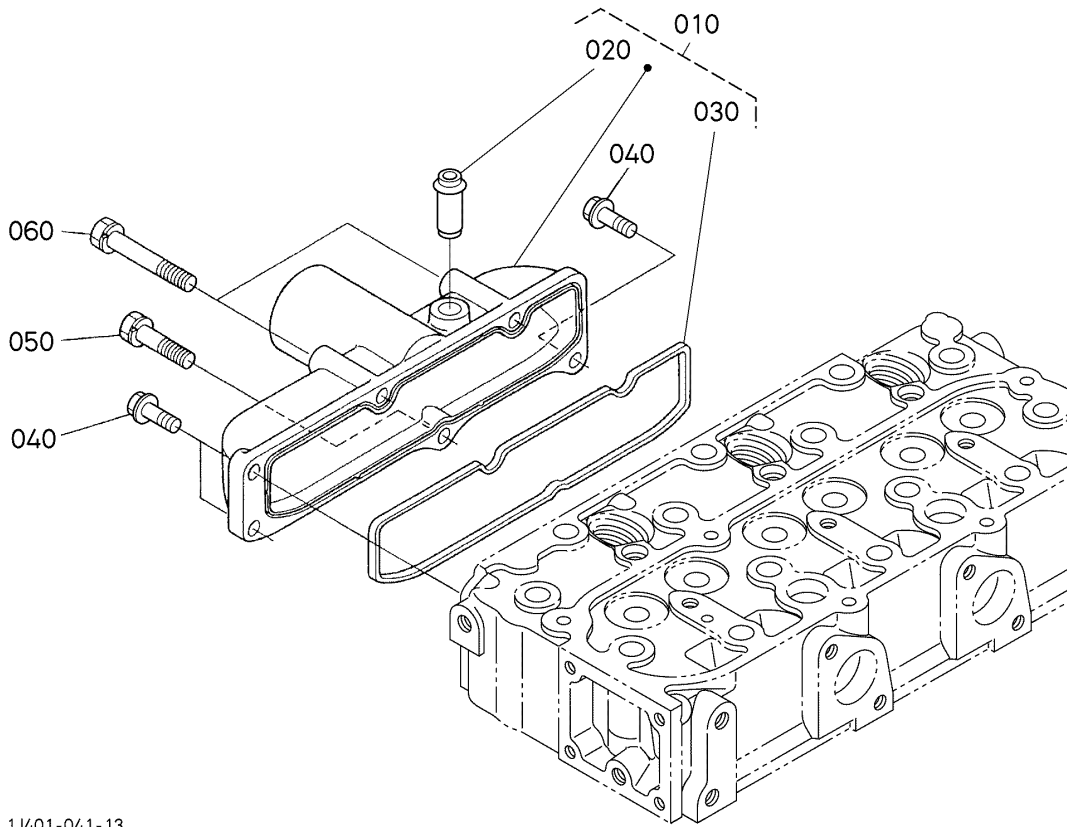
>> New for Old

<< Old for New

No.	Part No.	Part Name	Qty	IC	Serial No./PIN	Remarks	Kg
010	1G673-13112	VALVE,INLET	3				0.043
020	1G673-13122	VALVE,EXHAUST	3				0.043
030	16271-13240	SPRING,VALVE	6				0.015
040	16261-13330	RETAINER,VALVE SP.	6				0.015
050	15261-13980	COLLET(VALVE SPRING)	6			SET	0.002
060	1C010-13150	SEAL,VALVE STEM	6				0.002
070	16241-13280	CAP,VALVE	6				0.005
080	16261-14266	SHAFT,ROCKER ARM	1				0.16
090	01754-50610	BOLT,FLANGE	2				0.006
100	16241-14350	BRACKET(ARM,ROCKER)	3				0.04
110	05411-00428	PIN,SPRING	1				0.002
120	16241-14430	WASHER,R-ARM.SHAFT	2				0.002

= Interchangeable
NI Not Interchangeable
>> New for Old
<< Old for New

No.	Part No.	Part Name	Qty	IC	Serial No./PIN	Remarks	Kg
130	15841-94022	WASHER,PLAIN	2				0.005
140	16241-14310	SPRING,ROCKER ARM	2				0.004
150	16241-14032	ARM,ROCKER,ASSY	6				0.052
160	16241-14230	SCREW,ADJUSTING	6				0.008
170	16241-14240	NUT	6				0.004
180	1G700-91020	BOLT	3				0.023



1J401-041-13

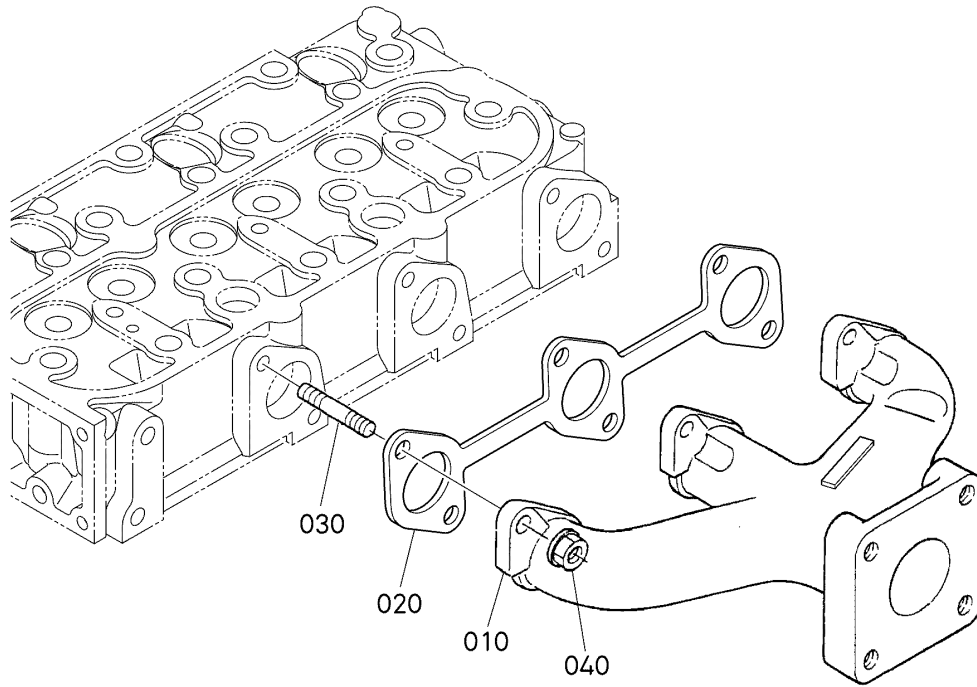
≡ Interchangeable

NI Not Interchangeable

>> New for Old

<< Old for New

No.	Part No.	Part Name	Qty	IC	Serial No./PIN	Remarks	Kg
010	17407-11773	ASSY MANIFOLD,INLET	1				0.284
020	16241-05550	JOINT,STR PIPE	1				0.02
030	16261-11822	GASKET(IN-MANIFOLD)	1				0.01
040	01754-50616	BOLT,FLANGE	3				0.006
050	01023-50630	BOLT	1				0.008
060	01023-50650	BOLT	2				0.012



16611-028-16

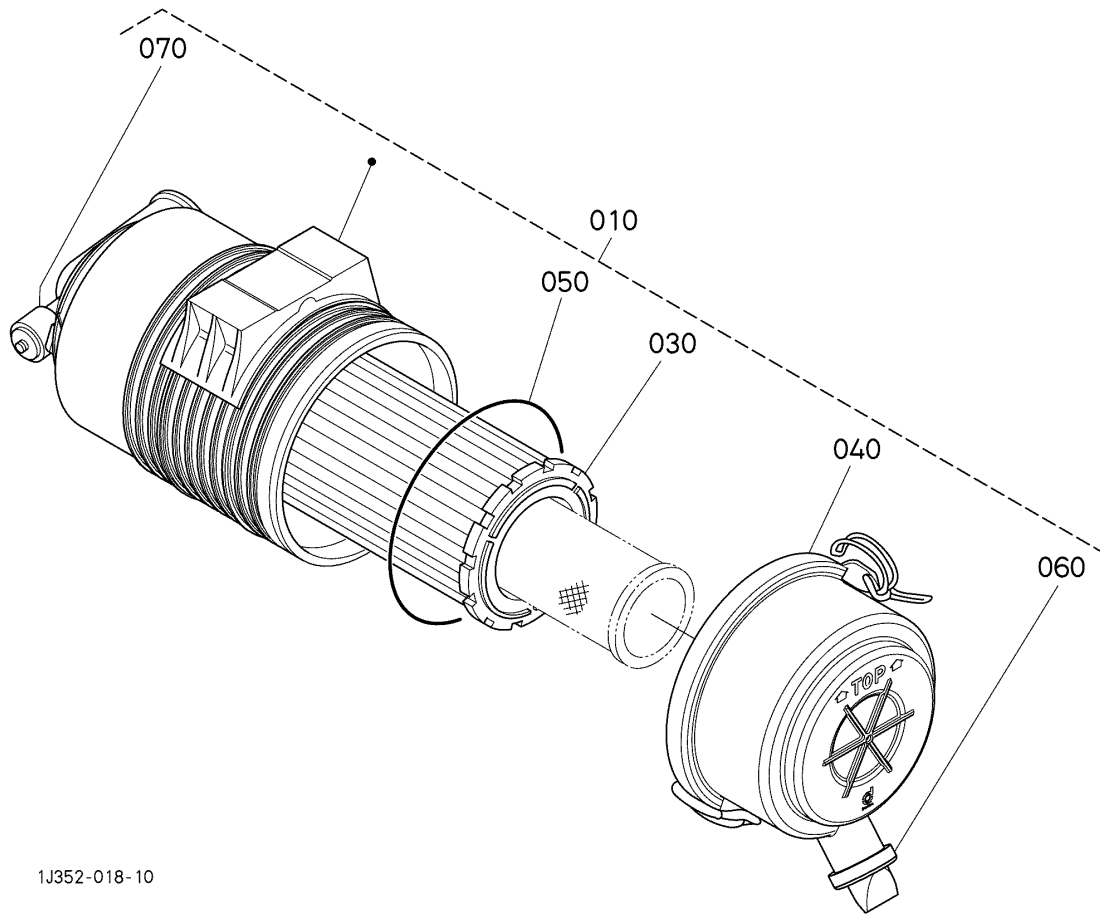
≡ Interchangeable

NI Not Interchangeable

>> New for Old

<< Old for New

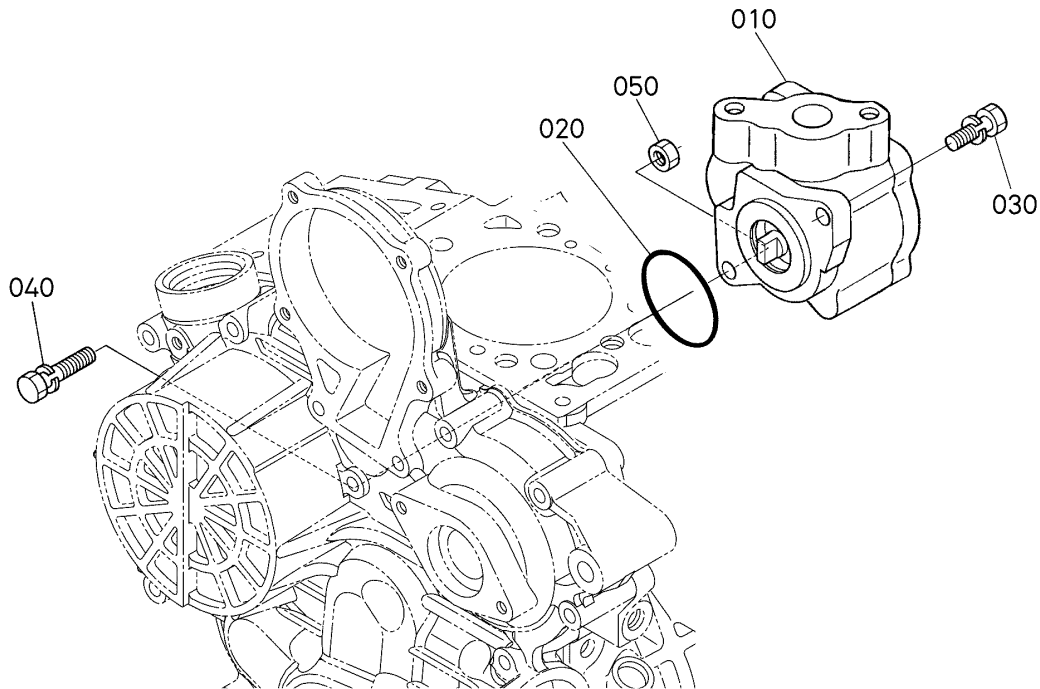
No.	Part No.	Part Name	Qty	IC	Serial No./PIN	Remarks	Kg
010	17213-12312	MANIFOLD,EXHAUST	1				1.47
020	16261-12350	GASKET,EX-MANIFOLD	1				0.019
030	16241-91490	STUD	6				0.005
040	16271-92010	LOCKNUT	6				0.005



1J352-018-10

≡ Interchangeable NI Not Interchangeable >> New for Old << Old for New

No.	Part No.	Part Name	Qty	IC	Serial No./PIN	Remarks	Kg
010	1J352-11012	CLEANER,AIR	1				1.36
030	TA040-93230	ASSY ELEMENT,OUTER	1				0.56
040	TA040-93240	ASSY COVER,A/C	1				0.3
050	1J352-11750	O-RING	1				0.004
060	1G657-11472	VALVE	1				0.011
070	15126-11090	INDICATOR,ASSY	1				0.025



1J352-034-11

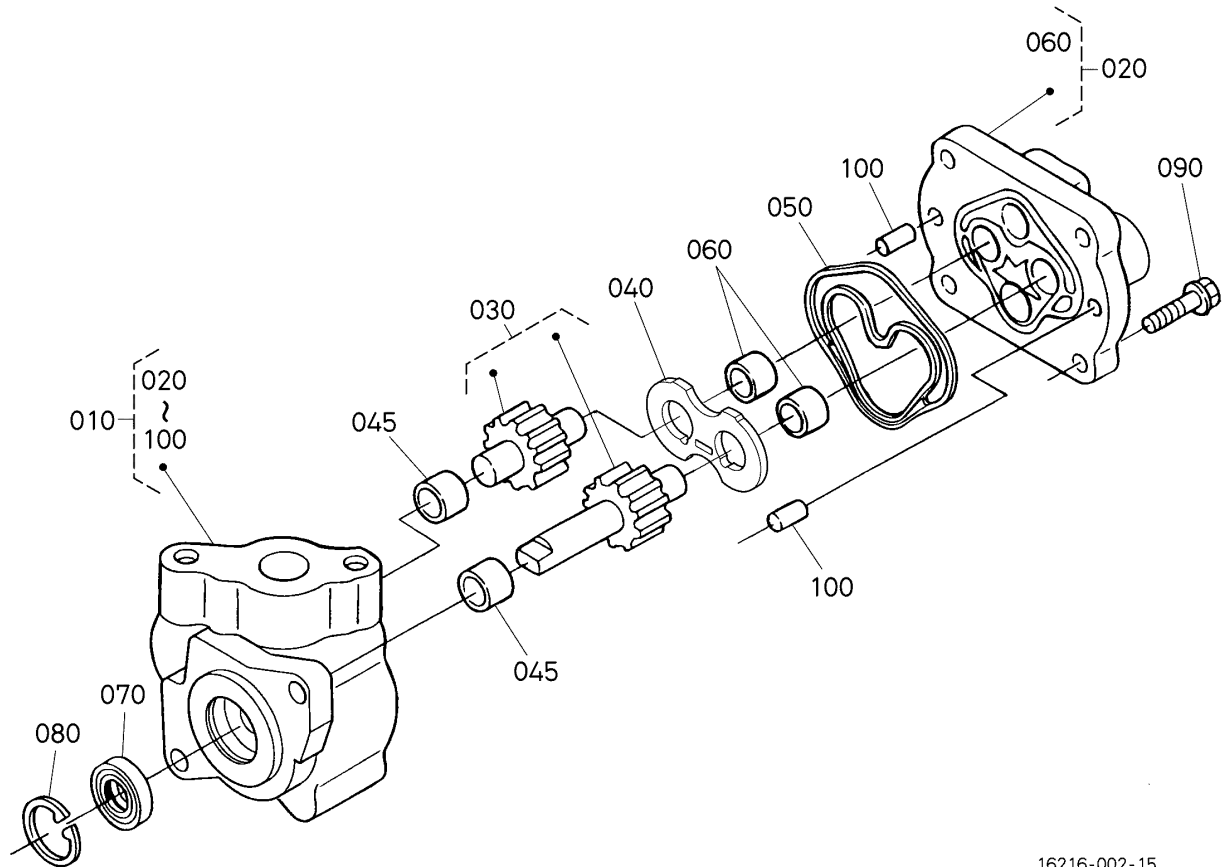
≡ Interchangeable

NI Not Interchangeable

>> New for Old

<< Old for New

No.	Part No.	Part Name	Qty	IC	Serial No./PIN	Remarks	Kg
010	6C040-37303	ASSY PUMP,HYDRAULIC	1				1.3
020	04811-10460	O RING	1				0.002
030	01123-50825	BOLT	1				0.013
040	01123-50835	BOLT	1				0.02
050	02056-50080	NUT	1				0.005



16216-002-15

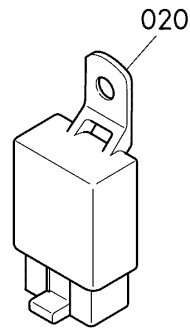
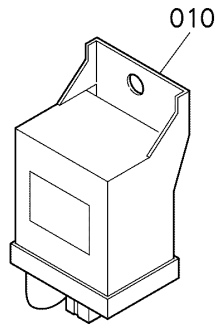
≡ Interchangeable

NI Not Interchangeable

>> New for Old

<< Old for New

No.	Part No.	Part Name	Qty	IC	Serial No./PIN	Remarks	Kg
010	6C040-37303	ASSY PUMP,HYDRAULIC	1				1.3
020	6A100-37502	COVER,COMP	1				0.26
030	6C040-36392	COMP.GEAR	1				0.309
040	6C140-37350	PLATE,SIDE	1		<=1NXZ999		0.02
040	MA502-10020	PLATE(SIDE)	1	>>	>=1NY0001		0.0
045	K2063-36940	BUSH	2				0.005
050	6C040-36344	RING,DOUBLE	1				0.003
060	K2063-36940	BUSH	2				0.005
070	T1150-36430	SEAL,OIL	1				0.007
080	04611-00300	CIR-CLIP,INTERNAL	1				0.004
090	01774-51030	BOLT,FLANGE	4				0.026
100	05014-00816	PIN,STRAIGHT	2				0.005



1J476-027-10

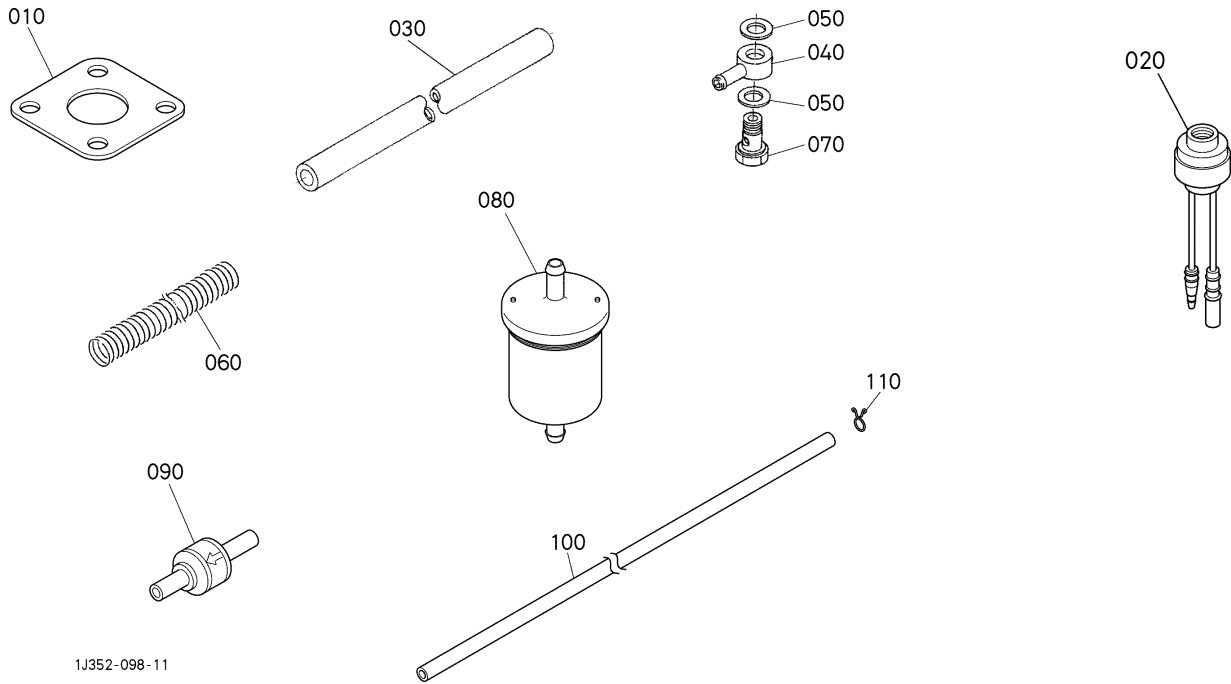
≡ Interchangeable

NI Not Interchangeable

>> New for Old

<< Old for New

No.	Part No.	Part Name	Qty	IC	Serial No./PIN	Remarks	Kg
010	1K533-65662	CONTROLLER	1				0.07
020	68881-53540	COMP.RELAY	3				0.04



≡ Interchangeable

NI Not Interchangeable

>> New for Old

<< Old for New

No.	Part No.	Part Name	Qty	IC	Serial No./PIN	Remarks	Kg
010	15263-12370	PACKING,MUFFLER	1				0.015
020	15831-11090	ASSY INDICATOR	1		<=1NPZ999		0.03
030	17208-33210	PIPE,OIL DRAIN	1				0.165
040	17248-33342	JOINT,OIL PIPE	1				0.12
050	15192-96670	PACKING	2				0.002
060	17147-33390	SPRING,OIL PIPE P/T	1				0.072
070	17248-33450	BOLT,CONNECTING	1				0.14
080	12581-43012	ASSY FILTER,FUEL	1				0.034
090	1C010-42460	VALVE,FUEL CHECK	1				0.006
100	09661-41500	TUBE,FUEL	1		>=1NQ0001	D4*D8*1500L	0.08
110	14911-42750	CLIP,PIPE	4		>=1NQ0001		0.002