

# Spare Parts Catalogue

4812160186

Valid from serial number:  
10000138x0A012709 -



Diesel engines:  
Cummins QSB 4.5 (IIIB/4i)

Published catalogue issues valid for these rollers:

Catalogue	Issue date	Valid for serial numbers
4812160186	2014-03	10000138x0A012709 -

**RESERVDLSBESTÄLLNING**

Följande uppgifter ska lämnas vid beställning av reservdelar för att undvika leveransfel:

1. Maskintyp.
2. Vältens serienummer.
3. Antal av önskad reservdel.
4. Reserdelens artikelnummer.
5. Reservdelens benämning.
6. Måttuppgifter vid beställning av metervara.

**ORDERING SPARE PARTS**

To avoid errors in delivery, please give the following information when ordering spare parts:

1. Type of machine.
2. Roller serial number.
3. Quantity required.
4. Part number.
5. Parts denomination.
6. Dimensions when ordering per length.

**ERSATZTEILBESTELLUNG**

Zur Vermeidung von Fehllieferungen sind bei der Bestellung von Ersatzteilen folgende Angaben zu machen:

1. Maschinentyp.
2. Herstellungsnummer.
3. Bestellmenge. (Quantity)
4. Ersatzteilnummer. (Part N°)
5. Ersatzteilbenennung. (Denomination)
6. Massangaben bei Bestellung von Meterware.

**ORDINI DI RICAMBI**

Per evitare errori nelle consegne di ricambi, Vi preghiamo di comunicarci le seguenti informazioni al momento dell'ordinazione:

1. Tipo di macchina.
2. Numero di serie della macchina.
3. Quantità dei pezzi desiderati. (Quantity)
4. Numero di codice del pezzo. (Part N°)
5. Descrizione del pezzo di ricambio. (Denomination)
6. Misura, in caso di ordine per metro.

**PEDIDO DE RECAMBIOS**

Para evitar errores en las entregas, deberán indicarse los siguientes datos al hacer un pedido de recambios:

1. Tipo de máquina.
2. Número de serie.
3. Cantidad de piezas deseadas. (Quantity)
4. Número de artículo de la pieza de recambio. (Part N°)
5. Denominación de la pieza. (Denomination)
6. Indíquese la medida al solicitar un artículo que se expide por metros.

**COMMANDE DE PIECES DE RECHANGE**

Les indications suivantes doivent être fournies lors de la commande de pièces de rechange, afin d'éviter toute erreur de livraison:

1. Type de machine.
2. Numéro de série.
3. Quantité désirée de pièce de rechange. (Quantity)
4. Numéro de la pièce de rechange. (Part N°)
5. Dénomination de la pièce de rechange. (Denomination)
6. Longueur en cas de commande au mètre.

**YOUR AGENT/DEALER:**







TABLE OF CONTENTS	Page
<b>CA2500D/PD (IIIB/T4i) SN 10000138x 0A012709 -</b>	<b>2</b>
<b>Service kits</b>	<b>4</b>
4812156993 Service kit, 50h Plus	6
4812159996 Service kit, 50h Plus Limited slip Rear axle	8
4812158687 Service kit, 500h Plus Cummins QSB 4.5	10
4812158688 Service kit, 500h Cummins QSB 4.5	12
4812158689 Service kit, 1000h Plus Cummins QSB 4.5	14
4812158690 Service kit, 1000h Cummins QSB 4.5	16
4812158691 Start up kit Cummins QSB 4.5	18
4812156993 Service kit, 50h Plus	6
4812158687 Service kit, 500h Plus Cummins QSB 4.5	10
4812158689 Service kit, 1000h Plus Cummins QSB 4.5	14
4812158692 Service kit, 2000h Plus Cummins QSB 4.5	20
4812158693 Service kit, 2000h Cummins QSB 4.5	22
<b>Repair kits</b>	<b>24</b>
Eccentric shaft kit	26
4812157275 Drum rotation kit	28
4812158581 Shock absorber kit, drum	30
<b>Frame</b>	<b>32</b>
Frame, front	34
4812117507 Steering hitch, cpl	36
Scrapers, option	38
Scraper module	40
Scraper module Rubber	42
Scraper assy	44
Scraper module PD Hardox	46
Scraper module PD Heavy duty	48
Scraper mount	50
Frame, rear	52
Frame, rear	54
Cover assembly	56
Step module	58
Step assy	60
Tool box module, Option	62
Engine structure	64
Engine hood	66
4812120749 Engine hood, cpl	68
4812118994 Lock handle, cpl	70
Fender module	72
Hinge module	74
Lock handle assy	76
Gas spring module	78
Safety link module	80

**TABLE OF CONTENTS**

**Page**

<b>Drum</b> .....	<b>82</b>
Drum, cpl .....	84
4812113266 Drum gear .....	86
4812112198 Hydraulic motor .....	88
Vibration motor adapter .....	92
Tooth wheel module .....	94
4812158090 Drum cartridge, vibration side (PD version) .....	96
4812158091 Drum cartridge, vibration side (D version) .....	98
4812158095 Drum cartridge with shaft nut, vibration side (PD version) .....	100
4812158096 Drum cartridge with shaft nut, vibration side (D version) .....	102
4812158085 Drum cartridge, drive side (PD version) .....	104
4812158086 Drum cartridge, drive side (D version) .....	106
Pad shell, option .....	108
<b>Engine</b> .....	<b>110</b>
Engine .....	112
Diesel engine .....	114
Belt guard module .....	116
Bracket module .....	118
Cooling system .....	120
Cooler stand module .....	122
Hose assy kit .....	124
Air cleaner .....	126
Air cleaner module .....	128
Fuel system .....	130
Fuel tank module .....	132
Fuel tank .....	134
Brackets assy .....	136
Fuel hoses .....	138
Draining module, option .....	140
Exhaust system .....	142
Expansion tank assembly .....	144
<b>Transmission</b> .....	<b>146</b>
Rear axle and wheels .....	148
4812113344 Rear axle, limited slip .....	150
Differential & Bevel gear .....	152
Brakes .....	154
Hub reduction .....	156
4812113341 Rear axle No spin .....	158
Differential .....	160
Central housing and brakes .....	162
Hub reduction .....	164
<b>Hydraulic system</b> .....	<b>166</b>
Hydraulic system, drum (D) Traction control, dual speed .....	168
Hydraulic motor .....	170
4812112216 Hydraulic motor, vibration .....	172
Rotary group .....	174

**TABLE OF CONTENTS**

	<b>Page</b>
Flush & boost pressure valve with orifice .....	176
Cover .....	178
Hydraulic motor .....	180
4812112215 Hydraulic motor .....	182
Rotary group .....	184
Flush and boost pressure valve .....	186
Cover with shaft seal ring .....	188
Hydraulic valve module .....	190
4812113687 Hydraulic valve .....	192
Hydraulic system, drum (PD) Traction control, dual speed .....	194
Hydraulic motor .....	170
4812112216 Hydraulic motor, vibration .....	172
Rotary group .....	174
Flush & boost pressure valve with orifice .....	176
Cover .....	178
Hydraulic motor .....	180
4812112215 Hydraulic motor .....	182
Rotary group .....	184
Flush and boost pressure valve .....	186
Cover with shaft seal ring .....	188
Hydraulic motor .....	196
4812112200 Hydraulic motor .....	198
Loop flushing .....	200
Hydraulic system, drum Anti-spin system .....	202
Hydraulic motor .....	170
4812112216 Hydraulic motor, vibration .....	172
Rotary group .....	174
Flush & boost pressure valve with orifice .....	176
Cover .....	178
Hydraulic motor .....	180
4812112215 Hydraulic motor .....	182
Rotary group .....	184
Flush and boost pressure valve .....	186
Cover with shaft seal ring .....	188
Hydraulic motor .....	204
4812112202 Drum motor .....	206
Drum motor. Front section .....	208
Loop flushing .....	210
Drum motor. Rear section .....	212
Hydraulic system, rear axle Traction control, limited slip .....	214
Hydraulic motor .....	216
4812112208 Rear axle motor .....	218
Front section .....	220
Rear section .....	222
Hose holder .....	224
Hydraulic system, rear axle Traction control, no slip .....	226
Hydraulic motor .....	228
4812112211 Rear axle motor .....	230
Loop flusing .....	232
Hose holder .....	224
Hydraulic system, rear axle Anti-spin system .....	234

**TABLE OF CONTENTS**

	<b>Page</b>
Hydraulic motor .....	236
4812112210 Rear axle motor .....	238
Front section .....	240
Rear section .....	242
Hose holder .....	224
Hydraulic system, rear axle Dual speed .....	244
Hydraulic motor .....	246
4812112207 Axle motor .....	248
Hose holder .....	224
Hydraulic system, oil tank .....	250
Hydraulic oil tank assembly .....	252
Hydraulic valve module .....	254
4812112238 Hydraulic valve .....	256
Connector assy .....	258
Fan module, front .....	260
4812117797 Hydraulic motor .....	262
Fan module, rear .....	264
4812117796 Hydraulic motor .....	266
Hydraulic system, engine room .....	268
Hydraulic pump module .....	270
4812112170 Hydraulic pump, propul pump .....	272
Front section .....	274
Rear section .....	276
Hydraulic pump module .....	278
Hydraulic oil filter assy .....	280
Hydraulic pump module .....	282
4812118150 Hydraulic pump, steering .....	284
Hydraulic system, engine room Adjustable frequency, eco opti .....	286
Hydraulic pump module .....	270
4812112170 Hydraulic pump, propul pump .....	272
Front section .....	274
Rear section .....	276
Hydraulic pump .....	288
4812112180 Hydraulic pump .....	290
Hydraulic oil filter assy .....	280
Hydraulic pump module .....	282
4812118150 Hydraulic pump, steering .....	284
Hydraulic pump module .....	292
4812118151 Hydraulic pump .....	294
Hydraulic system, frame rear .....	296
Connector kit .....	298
Connector kit .....	300
Hydraulic system, steering .....	302
Hydraulic cylinder .....	304
Steering valve module .....	306
Hydraulic hoses, steering .....	308
Hydraulic system, emergency steering .....	310
4812112188 Hydraulic pump Emergency steering unit .....	312
4812112236 Hydraulic valve .....	314

**TABLE OF CONTENTS**
**Page**

<b>Electric equipment</b> .....	<b>316</b>
Electric cables, power supply, 1-pole .....	318
Battery module .....	320
Battery disconnecter module .....	322
Electric cables, power supply, 2-pole, option .....	324
Battery module .....	320
Battery disconnecter, 2-pole .....	326
Electrical cables, engine - ECU Horn, back-up alarm .....	328
Standard ECU assembly .....	330
Power converter module .....	332
Inclination sensor module .....	334
Back-up alarm module .....	336
Back-up alarm module .....	338
Bracket module .....	340
Cable harness kit Power supply cab .....	342
Driving & side direction lights, number plate light, option .....	344
Steering column switch module .....	346
Cable harness kit .....	348
Registration plate light module .....	350
Registration plate light .....	352
Holder, Registration plate light .....	354
Reversing light, option .....	356
Reversing light .....	358
DCA/GPS equipment module, option .....	360
Holder .....	362
GPS equipment module .....	364
GPS equipment assy .....	366
Computer .....	368
Tachograph, option .....	370
Holder assy .....	372
Power supply module .....	374
Speed sensor, frequency sensor, option .....	376
Pulse sensor module .....	378
Pre-heater installation, option .....	380
Heater .....	382
Rotating beacon, working light, option .....	384
Rotating beacon module .....	386
Rotating beacon .....	388
Working light module H3 .....	390
Cable harness, emergency steering, option .....	392
Displacement shift .....	394
Compaction meter, option .....	396
Power supply .....	398
External emergency stop, option .....	400
<b>Drivers platform</b> .....	<b>402</b>

**TABLE OF CONTENTS**

	<b>Page</b>
Platform, rops .....	404
4812112278 Platform with 4-post ROPS .....	406
Basic kit Rops, roof, front handrail .....	408
Rear cover .....	410
Handrail .....	412
Cab, basic kit .....	414
Manual box .....	416
Cab symmetric module .....	418
4812119366 Cab, cpl Comfort .....	420
Screens .....	422
4812115202 Cab door, cpl .....	424
4812115200 Sliding screen, left hand .....	426
Windshield wiper .....	428
Roof .....	430
Heater assy .....	432
Hose kit heater .....	434
Cab Interior .....	436
Heater controls .....	438
Cab cable harness .....	440
Cab, electrical equipment .....	442
Emergency hammer, hook .....	444
Cab, rear cover .....	446
Cab, front cover .....	448
Floor mat .....	450
Step light, wiper switch .....	452
Cab, basic kit .....	414
Air channel .....	454
Sun-blind, inner light .....	456
4812119367 Cab, cpl Basic .....	458
Screens .....	422
4812115202 Cab door, cpl .....	424
4812115200 Sliding screen, left hand .....	426
Windshield wiper .....	428
Roof .....	430
Heater assy .....	432
Hose kit heater .....	434
Cab Interior .....	436
Heater controls .....	438
Cab cable harness .....	440
Cab, electrical equipment .....	442
Emergency hammer, hook .....	444
Cab, rear cover .....	460
Cab, front cover .....	462
Wiper switch, front .....	464
Cab, basic kit .....	414
Manual box .....	416
Drivers seat .....	466
Seat frame structure .....	468
4700391163 Steering column .....	470
Seat frame adapter module, rotating .....	472
Seat frame adapter module, fixed .....	474

**TABLE OF CONTENTS**
**Page**

Floor cassette module .....	476
Seat, fabric suspensioned .....	478
Seat, galon suspensioned .....	480
Control module .....	482
Forward reverse control module .....	484
Display unit .....	486
Seat belt 2" .....	488
Seat belt 3" .....	490
Seat belt 2" with reminder .....	492
Seat belt 3" with reminder .....	494
Reading light .....	496
Control panel cover .....	498
Car stereo module, option .....	500
Rear view mirror .....	502
Rear view mirror module .....	504
Heater hoses .....	506
<b>Decals .....</b>	<b>508</b>
Decals .....	510
Decals .....	512
<b>Optional equipment .....</b>	<b>514</b>
Fire extinguisher/First Aid Cushion .....	516
Fire extinguisher .....	518
Level sensor module, option .....	520
SMV-sign .....	522
Air conditioning .....	524
Drying filter module .....	526
4812114257 Drying filter assy .....	528
Condensor assembly .....	530
ACC module .....	532
ACC kit .....	534
AC module .....	536
Hose kit AC .....	538
Compressor module .....	540
Hose assy kit for AC .....	542
Cooling box module .....	544
Lunch box .....	546

CA2500D/PD (IIIB/T4i) SN 10000138x 0A012709 -





CA2500D/PD (IIIB/T4i) SN 10000138x 0A012709 -

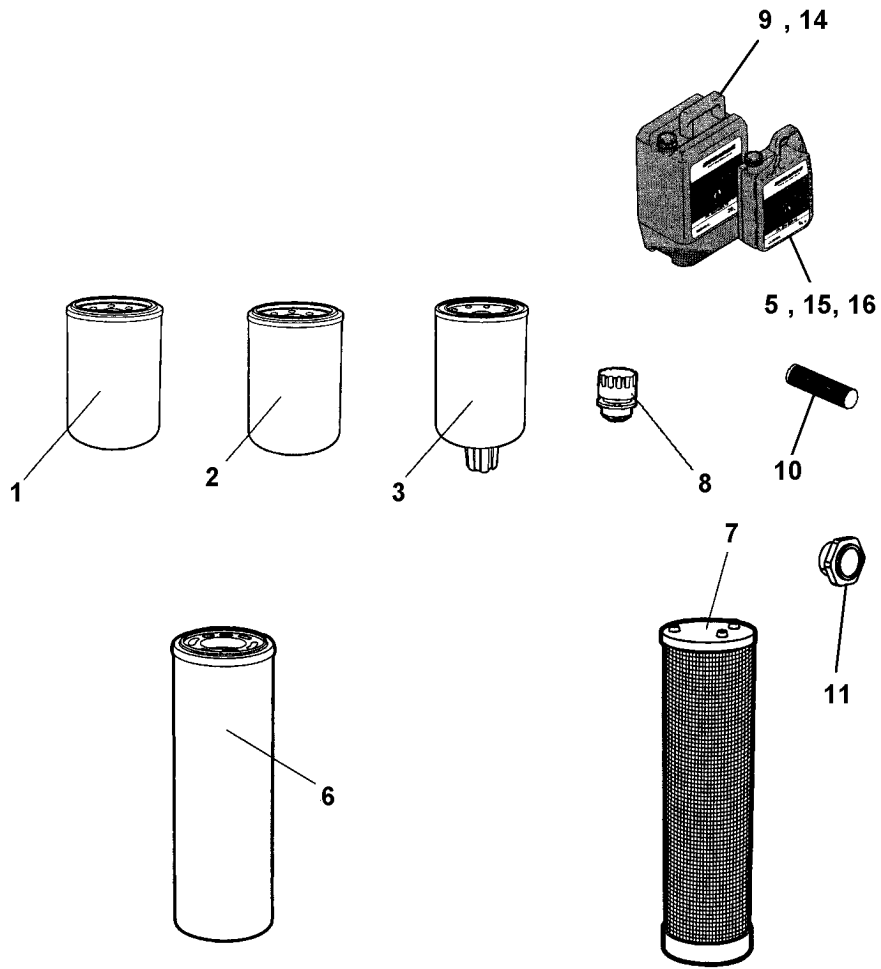
Item	Part No	Rem Qty	Description	Code
1		1	Service kits ( Page 4 )	
2		1	Repair kits ( Page 24 )	
10		1	Frame ( Page 32 )	
20		1	Drum ( Page 82 )	
30		1	Engine ( Page 110 )	
40		1	Transmission ( Page 146 )	
50		1	Hydraulic system ( Page 166 )	
60		1	Electric equipment ( Page 316 )	
70		1	Drivers platform ( Page 402 )	
80		1	Decals ( Page 508 )	
91		1	Optional equipment ( Page 514 )	

Service kits

**Service kits**

<b>Item</b>	<b>Part No</b>	<b>Rem Qty</b>	<b>Description</b>	<b>Code</b>
1	4812156993	1	Service kit, 50h Plus ( Page 6 )	
	4812159996	1	Service kit, 50h Plus Limited slip Rear axle ( Page 8 )	
2	4812158687	1	Service kit, 500h Plus Cummins QSB 4.5 ( Page 10 )	
3	4812158688	1	Service kit, 500h Cummins QSB 4.5 ( Page 12 )	
4	4812158689	1	Service kit, 1000h Plus Cummins QSB 4.5 ( Page 14 )	
5	4812158690	1	Service kit, 1000h Cummins QSB 4.5 ( Page 16 )	
6	4812158691	1	Start up kit Cummins QSB 4.5 ( Page 18 )	
7	4812158692	1	Service kit, 2000h Plus Cummins QSB 4.5 ( Page 20 )	
8	4812158693	1	Service kit, 2000h Cummins QSB 4.5 ( Page 22 )	

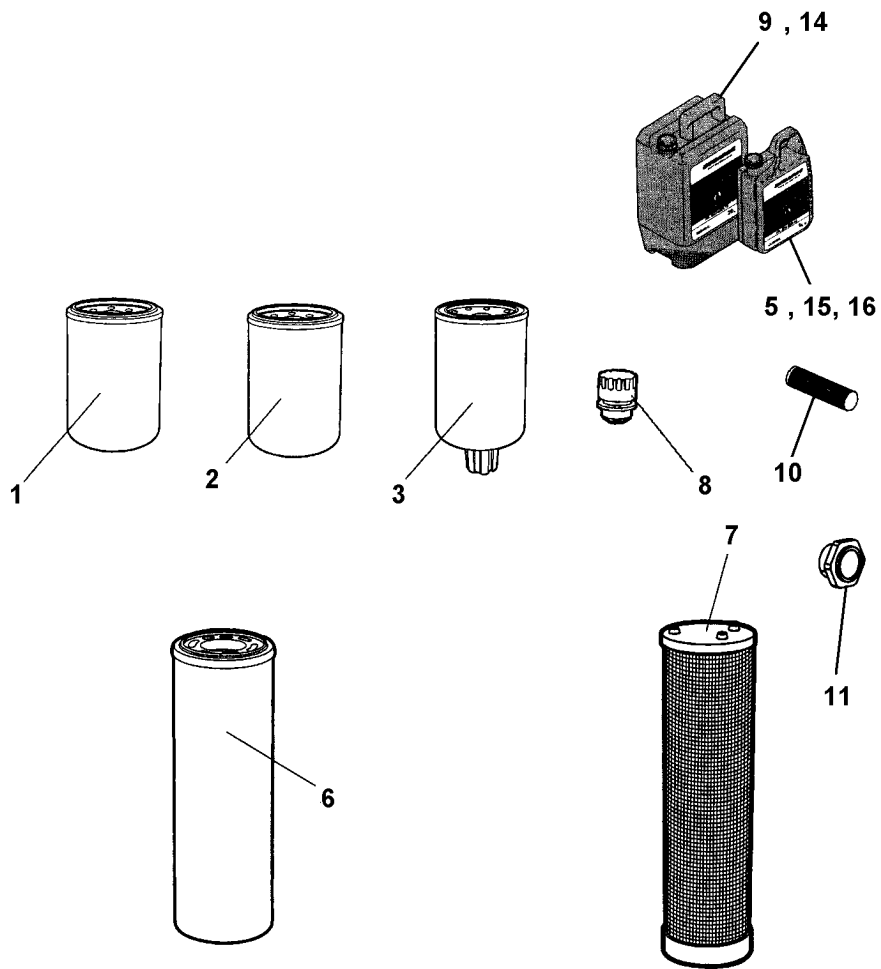
4812156993 Service kit, 50h Plus



**4812156993 Service kit, 50h Plus**

Item	Part No	Rem Qty	Description	Code
	4812156993		<b>Service kit, 50h Plus ( Page 6 )</b>	
6	4812112262	1	. Hydraulic oil filter element	
15	4812156456	1	. Dynapac drum oil 1000 5 liters	
16	4812030756	1	. Gear Oil 300 5 liters	

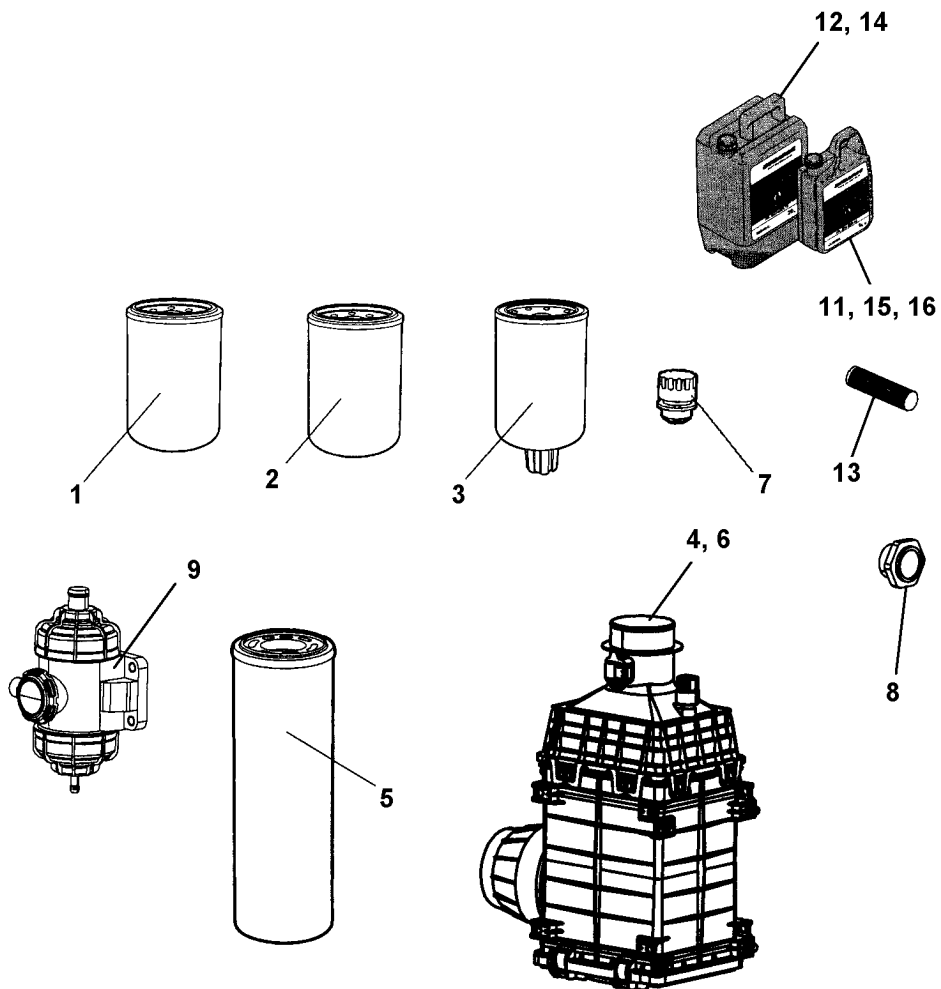
**4812159996 Service kit, 50h Plus Limited slip Rear axle**



4812159996 Service kit, 50h Plus Limited slip Rear axle

Item	Part No	Rem Qty	Description	Code
	4812159996		<b>Service kit, 50h Plus Limited slip Rear axle ( Page 8 )</b>	
6	4812112262	1	. Hydraulic oil filter element	
14	4812030117	1	. Gear Oil 300 20 liters	
15	4812156456	1	. Dynapac drum oil 1000 5 liters	
16	4812030756	1	. Gear Oil 300 5 liters	

4812158687 Service kit, 500h Plus Cummins QSB 4.5

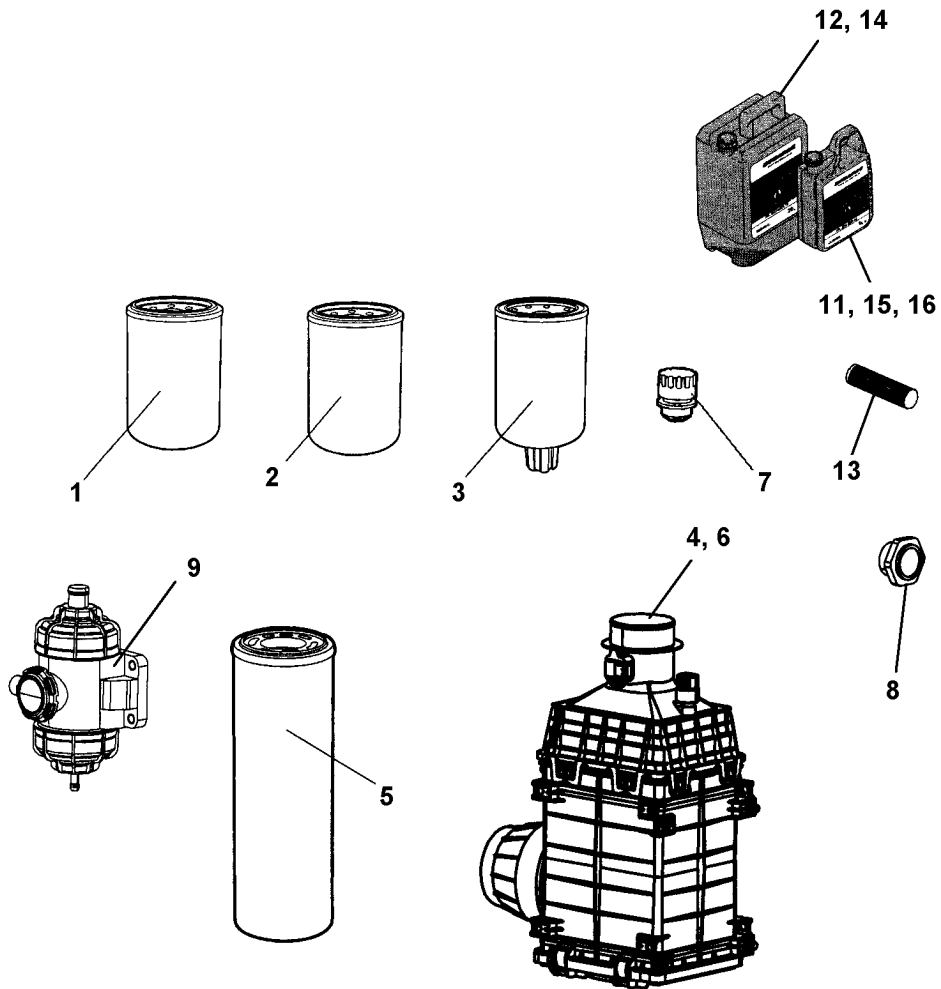




**4812158687 Service kit, 500h Plus Cummins QSB 4.5**

<b>Item</b>	<b>Part No</b>	<b>Rem Qty</b>	<b>Description</b>	<b>Code</b>
	4812158687		<b>Service kit, 500h Plus Cummins QSB 4.5 ( Page 10 )</b>	
1	4700939082	1	Oil filter element	
2	4812158187	1	Fuel filter	
3	4812041531	1	Pre-fuel filter element	
4	4812158190	1	Air filter element, main	
11	5580020624	3	Atlas Copco fluid engine 100 5 liters	

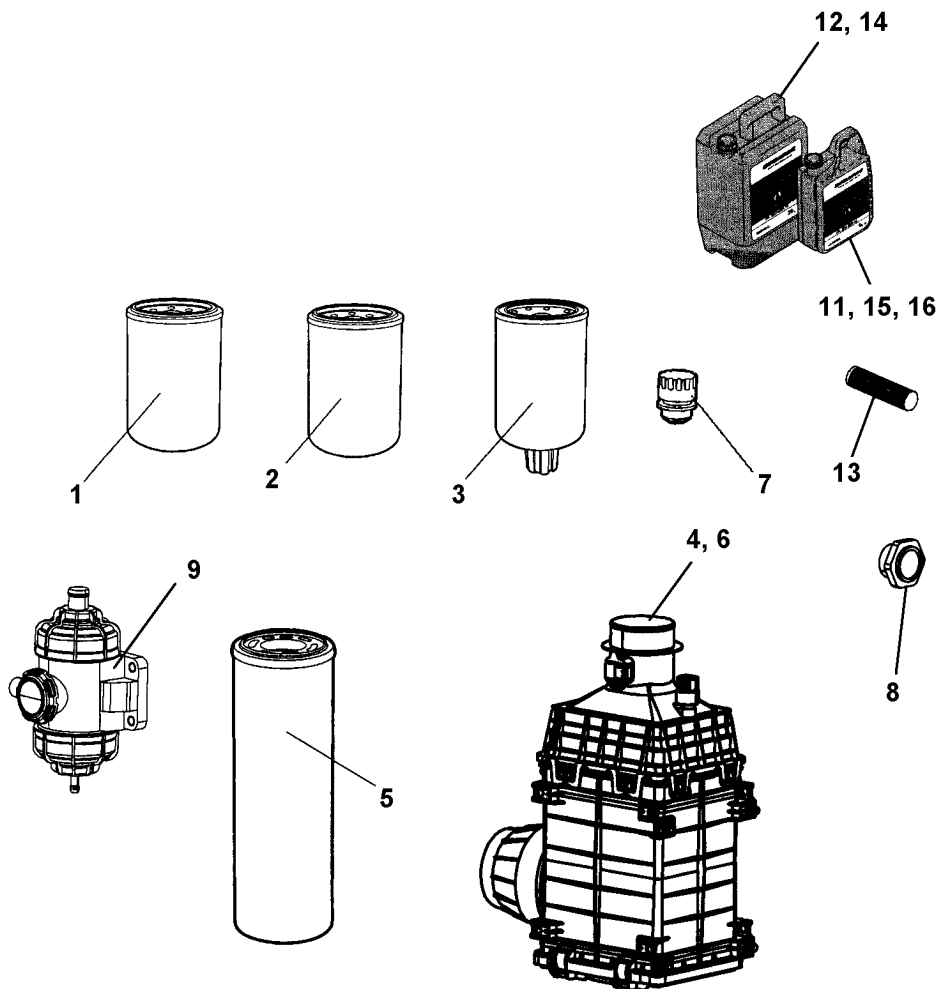
4812158688 Service kit, 500h Cummins QSB 4.5



**4812158688 Service kit, 500h Cummins QSB 4.5**

<b>Item</b>	<b>Part No</b>	<b>Rem Qty</b>	<b>Description</b>	<b>Code</b>
	4812158688		<b>Service kit, 500h Cummins QSB 4.5 ( Page 12 )</b>	
1	4700939082	1	Oil filter element	
2	4812158187	1	Fuel filter	
3	4812041531	1	Pre-fuel filter element	
4	4812158190	1	Air filter element, main	

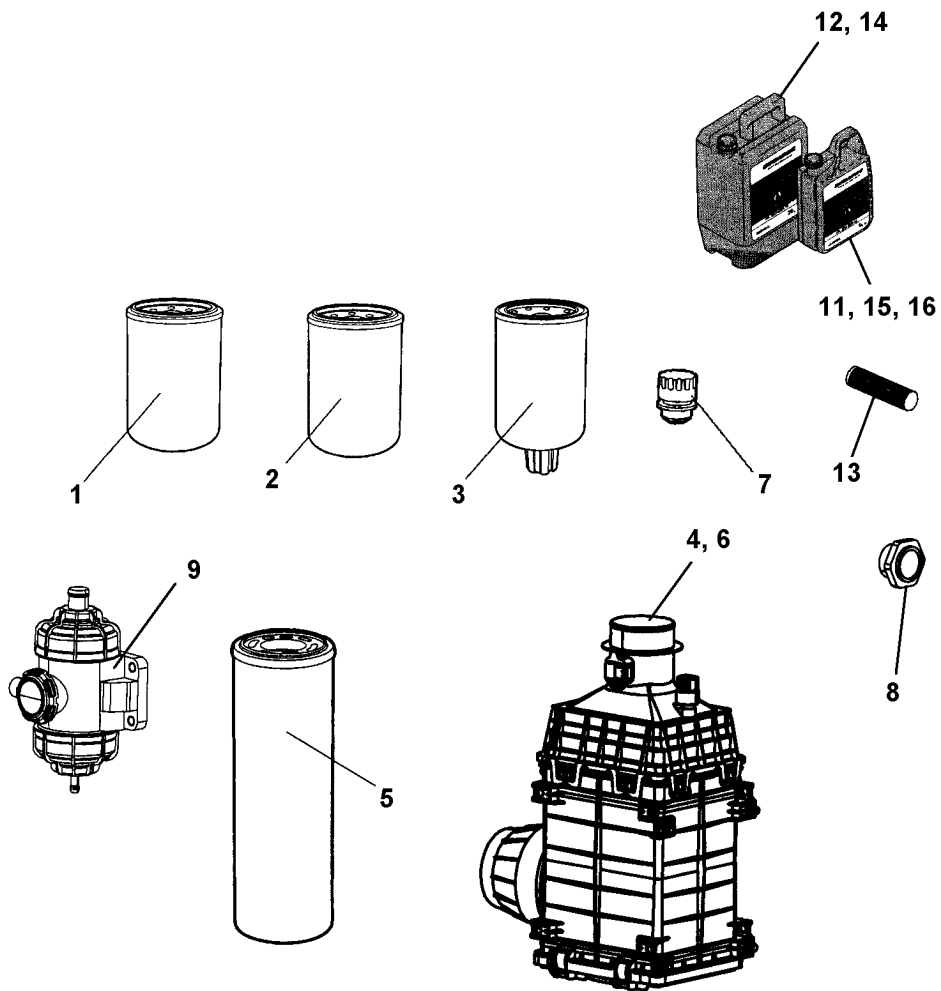
4812158689 Service kit, 1000h Plus Cummins QSB 4.5



**4812158689 Service kit, 1000h Plus Cummins QSB 4.5**

<b>Item</b>	<b>Part No</b>	<b>Rem Qty</b>	<b>Description</b>	<b>Code</b>
	4812158689		<b>Service kit, 1000h Plus Cummins QSB 4.5 ( Page 14 )</b>	
1	4700939082	1	Oil filter element	
2	4812158187	1	Fuel filter	
3	4812041531	1	Pre-fuel filter element	
4	4812158190	1	Air filter element, main	
5	4812112262	1	Hydraulic oil filter element	
6	4812158191	1	Air filter element, safety	
7	4700357138	1	Ventilating filter	
11	5580020624	3	Atlas Copco fluid engine 100 5 liters	
12	4812030117	1	Gear Oil 300 20 liters	
13	4812030096	1	Dynapac Roller Grease	
16	4812030756	1	Gear Oil 300 5 liters	

4812158690 Service kit, 1000h Cummins QSB 4.5



**4812158690 Service kit, 1000h Cummins QSB 4.5**

<b>Item</b>	<b>Part No</b>	<b>Rem Qty</b>	<b>Description</b>	<b>Code</b>
	4812158690		<b>Service kit, 1000h Cummins QSB 4.5 ( Page 16 )</b>	
1	4700939082	1	Oil filter element	
2	4812158187	1	Fuel filter	
3	4812041531	1	Pre-fuel filter element	
4	4812158190	1	Air filter element, main	
5	4812112262	1	Hydraulic oil filter element	
6	4812158191	1	Air filter element, safety	
7	4700357138	1	Ventilating filter	

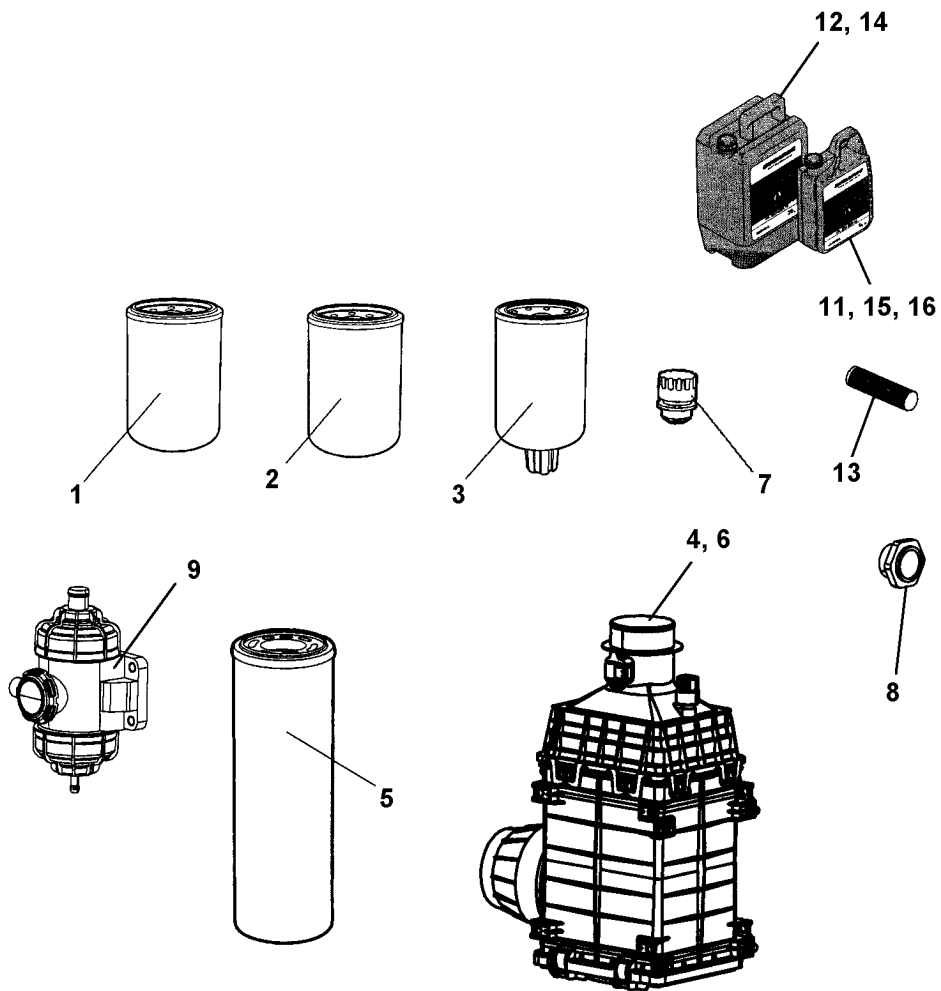
4812158691 Start up kit Cummins QSB 4.5



**4812158691 Start up kit Cummins QSB 4.5**

<b>Item</b>	<b>Part No</b>	<b>Rem Qty</b>	<b>Description</b>	<b>Code</b>
	4812158691		<b>Start up kit Cummins QSB 4.5 ( Page 18 )</b>	
1	4812156993	1	<b>Service kit, 50h Plus ( Page 6 )</b>	
2	4812158687	1	<b>Service kit, 500h Plus Cummins QSB 4.5 ( Page 10 )</b>	
3	4812158689	1	<b>Service kit, 1000h Plus Cummins QSB 4.5 ( Page 14 )</b>	

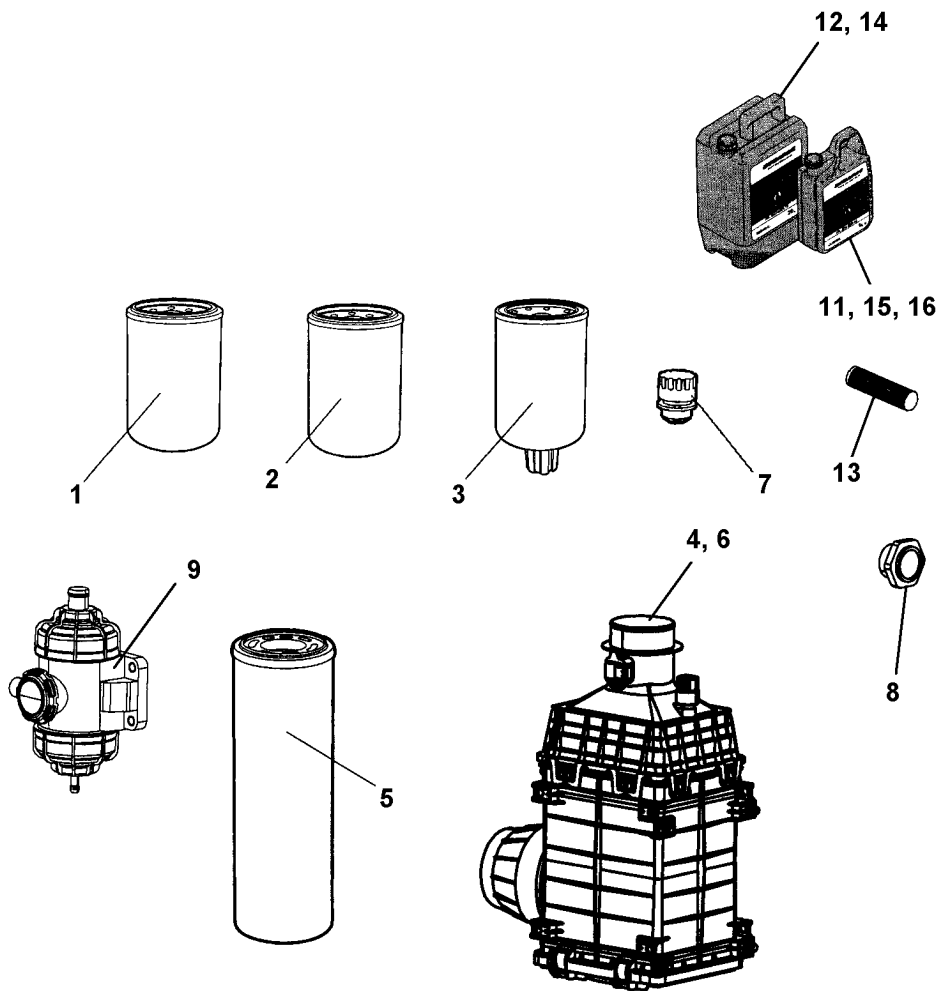
4812158692 Service kit, 2000h Plus Cummins QSB 4.5



**4812158692 Service kit, 2000h Plus Cummins QSB 4.5**

<b>Item</b>	<b>Part No</b>	<b>Rem Qty</b>	<b>Description</b>	<b>Code</b>
	4812158692		<b>Service kit, 2000h Plus Cummins QSB 4.5 ( Page 20 )</b>	
1	4700939082	1	Oil filter element	
2	4812158187	1	Fuel filter	
3	4812041531	1	Pre-fuel filter element	
4	4812158190	1	Air filter element, main	
5	4812112262	1	Hydraulic oil filter element	
6	4812158191	1	Air filter element, safety	
7	4700357138	1	Ventilating filter	
8	4812118814	2	Oil level glass	
9	4812158465	1	Crankcase ventilation filter	
11	5580020624	3	Atlas Copco fluid engine 100 5 liters	
12	4812030117	1	Gear Oil 300 20 liters	
13	4812030096	1	Dynapac Roller Grease	
14	9106230330	3	Atlas Copco fluid hydraulic oil 300 20 liters	
15	4812156456	1	Dynapac drum oil 1000 5 liters	
16	4812030756	1	Gear Oil 300 5 liters	

4812158693 Service kit, 2000h Cummins QSB 4.5



**4812158693 Service kit, 2000h Cummins QSB 4.5**

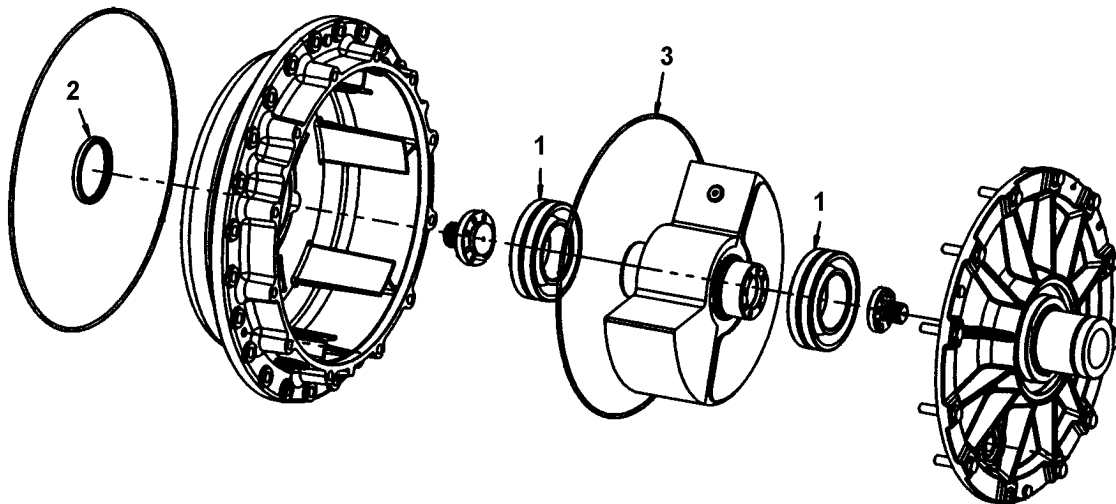
<b>Item</b>	<b>Part No</b>	<b>Rem Qty</b>	<b>Description</b>	<b>Code</b>
	4812158693		<b>Service kit, 2000h Cummins QSB 4.5 ( Page 22 )</b>	
1	4700939082	1	Oil filter element	
2	4812158187	1	Fuel filter	
3	4812041531	1	Pre-fuel filter element	
4	4812158190	1	Air filter element, main	
5	4812112262	1	Hydraulic oil filter element	
6	4812158191	1	Air filter element, safety	
7	4700357138	1	Ventilating filter	
8	4812118814	2	Oil level glass	
9	4812158465	1	Crankcase ventilation filter	

Repair kits

## Repair kits

Item	Part No	Rem Qty	Description	Code
2		2	Eccentric shaft kit ( Page 26 )	
3	4812157275	1	Drum rotation kit ( Page 28 )	
5	4812158581	1	Shock absorber kit, drum ( Page 30 )	

**Eccentric shaft kit**

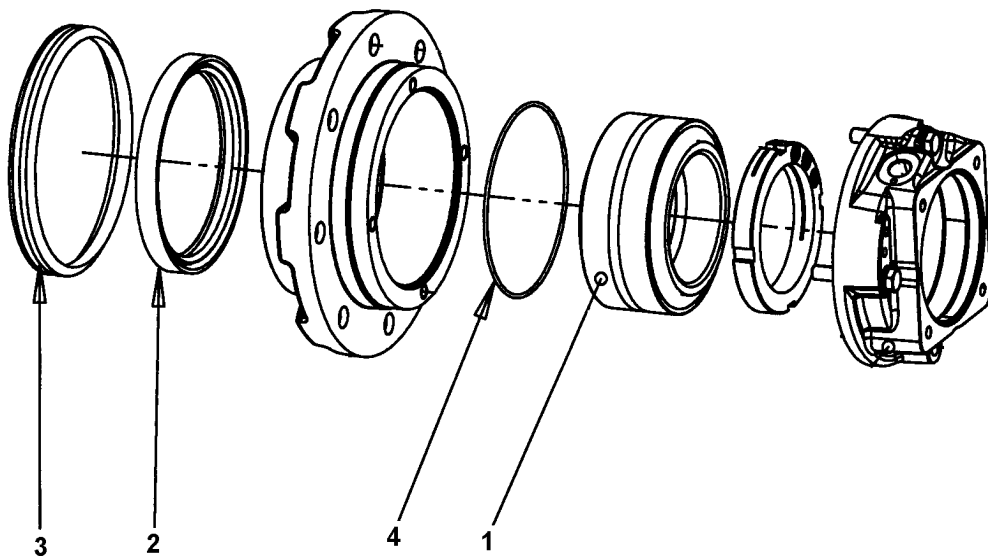




## Eccentric shaft kit

Item	Part No	Rem Qty	Description	Code
	4700945657		Eccentric shaft kit	
1	4700390896	2	. Spherical roller bearing	
2	4700900782	1	. Seal ring	
3	4700900776	1	. O-ring	

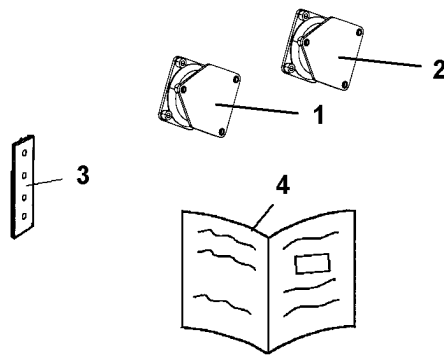
**4812157275 Drum rotation kit**



4812157275 Drum rotation kit

Item	Part No	Rem Qty	Description	Code
1	4700116041	1	Taper roller bearing	
2	4700167023	1	Seal ring	
3	4700929447	1	V-ring	
4	4700160105	1	O-ring 70	

**4812158581 Shock absorber kit, drum**



**4812158581 Shock absorber kit, drum**

Item	Part No	Rem	Qty	Description	Code
1	4812111046	A	6	Shock absorber	
2	4812113258	B	4	Shock absorber	
3	4812114344		4	Shim t = 1mm	
4	4812156170		1	Instructions	

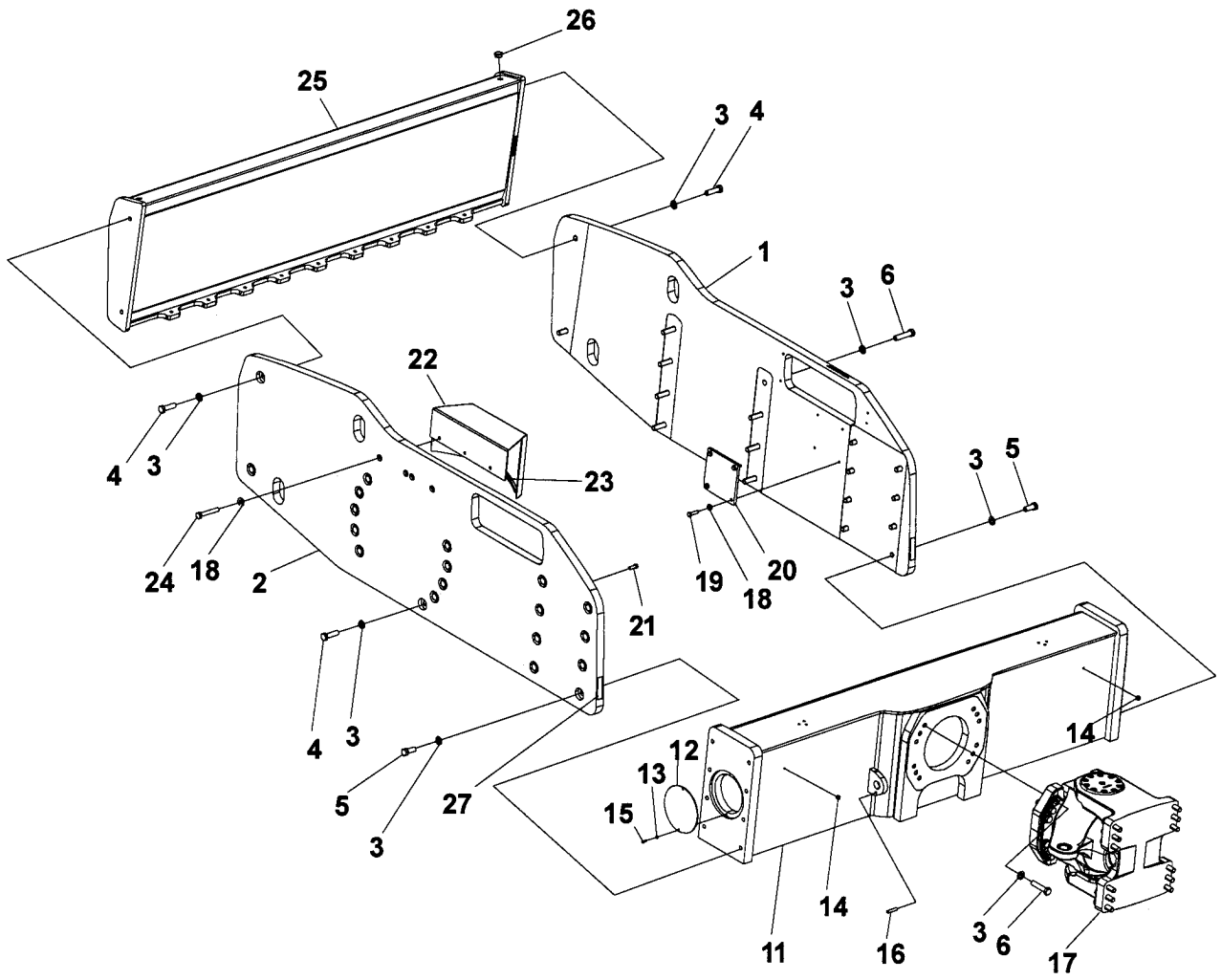
- A) Drive side.
- B) Vibration side.

Frame

## Frame

Item	Part No	Rem	Qty	Description	Code
2			1	Frame, front ( Page 34 )	
3			1	Scrapers, option ( Page 38 )	
4			1	Frame, rear ( Page 52 )	
5			1	Engine structure ( Page 64 )	

Frame, front



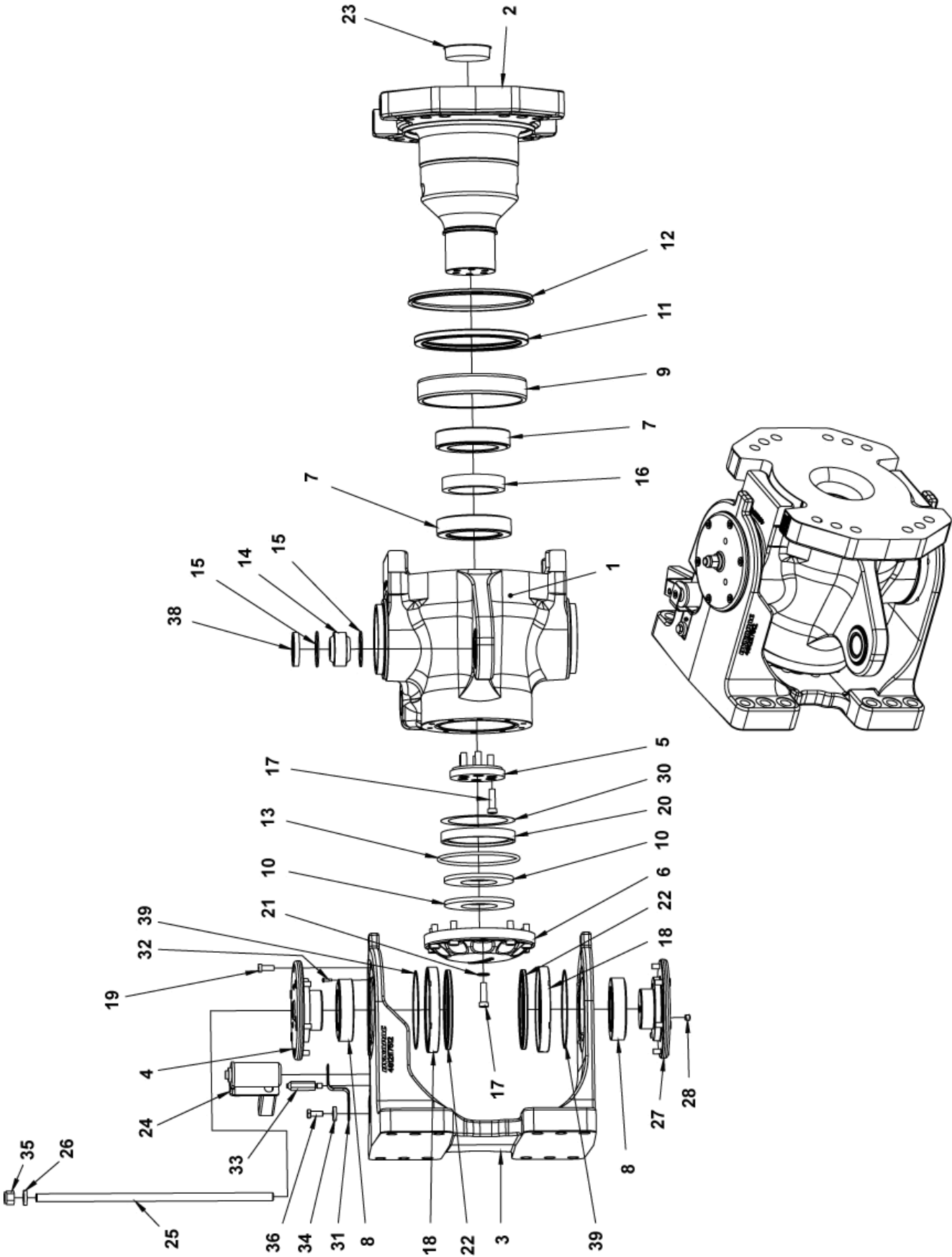


## Frame, front

Item	Part No	Rem Qty	Description	Code
1		1	Side plate	
2		1	Side plate	
3	4700903290	38	Washer 21x36x6	
4	4700500284	14	Screw	
5	4700927411	16	Screw	
6	4700925208	32	Screw M20x90	
7	4700904233	24	Washer 21x36x3	
11	4812112898	1	Crossbeam	
12	4812112162	2	Cover	
13	4700904228	4	Washer 6,4x12x1,5	
14	4700232041	2	Filter plug	
15	4700500013	4	Screw M6-1x16 8,8	
16	4700629064	1	Spring pin, slotted	
17	4812117507	1	<b>Steering hitch, cpl ( Page 36 )</b>	
18	4700904230	11	Steel plain washer	
19	4700500028	4	Screw	
20	4812113607	2	Bracket	
21	4700500028	4	Screw	
22	4812113885	1	Protective hood	
23	4700902166	E 1XL	Edge trim	
24	4700500161	3	Hexagon head screw	
25	4812113513	1	Crossbeam	
26	4700791396	2	Plug	
27	4700377742	2	Reflector, red	

E) L = 0.315m

4812117507 Steering hitch, cpl



## 4812117507 Steering hitch, cpl

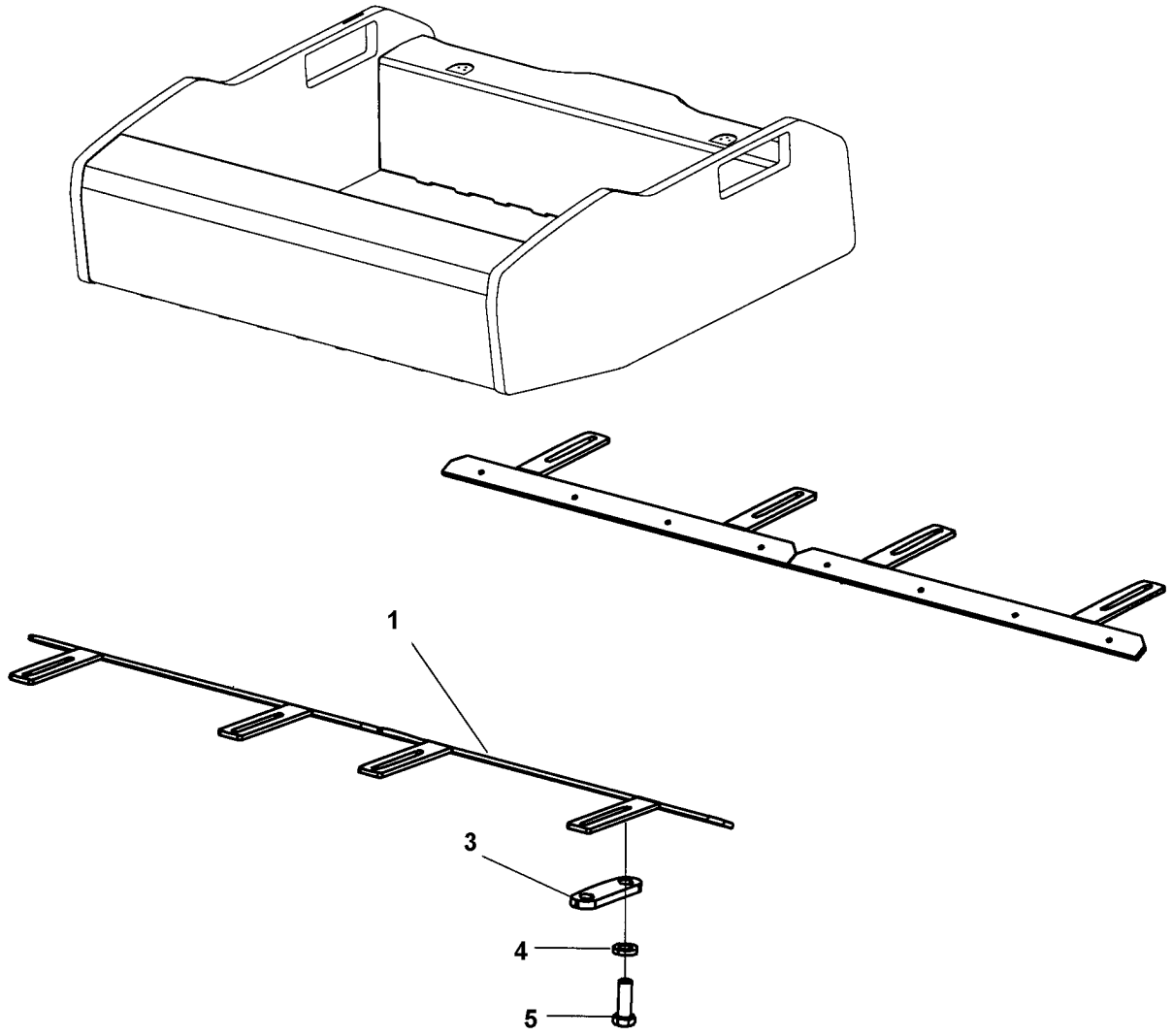
Item	Part No	Rem Qty	Description	Code
1	4812117508		Yoke	
2	4812115392		Shaft	
3	4812117512		Holder	
4	4812121396		Shaft	
5	4812115949		Cover cup	
6	4812115950		Cover cap	
7	4812116334		Angular contact spherical	
8	4812115467		Angular contact spherical	
9	4812115398		Bushing	
10	4812116333		Disc spring	
11	4700391031		Radial lip-type seal	
12	4700792515		Sealing, v-ring	
13	4700160296		O-ring 70	
14	4812116821		Radial spherical plan bearing	
15	4700151023		Retaining ring for hole	
16	4812116340		Spacer washer	
17	4700792394		Screw	
18	4812121398		Back-up ring	
19	4812120414		Hexagon s head cap	
20	4812115947		Washer	
21	4700904231		Washer 13x24x2 300 HV	
22	4812120615		Radial lip-type seal	
23	4812116702		Protective plug	
24	4812119809		Locking pin cpl	
25	4812120618		Threaded stud	
26	4700904558		Washer 17X30X6 300HV	
27	4812121397		Shaft	
28	4700792083		Plug	
30	4812117530		Shim washer	
31	4812121665		Stop plate	
32	4812121282		Thread forming screw m	
33	4812119807		Holder	
34	4700904567		Washer 10,5x28x6 HB305	
35	0291112842		Prev torq hex nut m	
36	4700500028		Screw	
38	4812120661		Sealing strip	
39	4812121111		O-ring	

Scrapers, option

## Scrapers, option

Item	Part No	Rem Qty	Description	Code
1		4	Scraper module ( Page 40 )	
2		4	Scraper module Rubber ( Page 42 )	
3		18	Scraper module PD Hardox ( Page 46 )	
4		2	Scraper module PD Heavy duty ( Page 48 )	

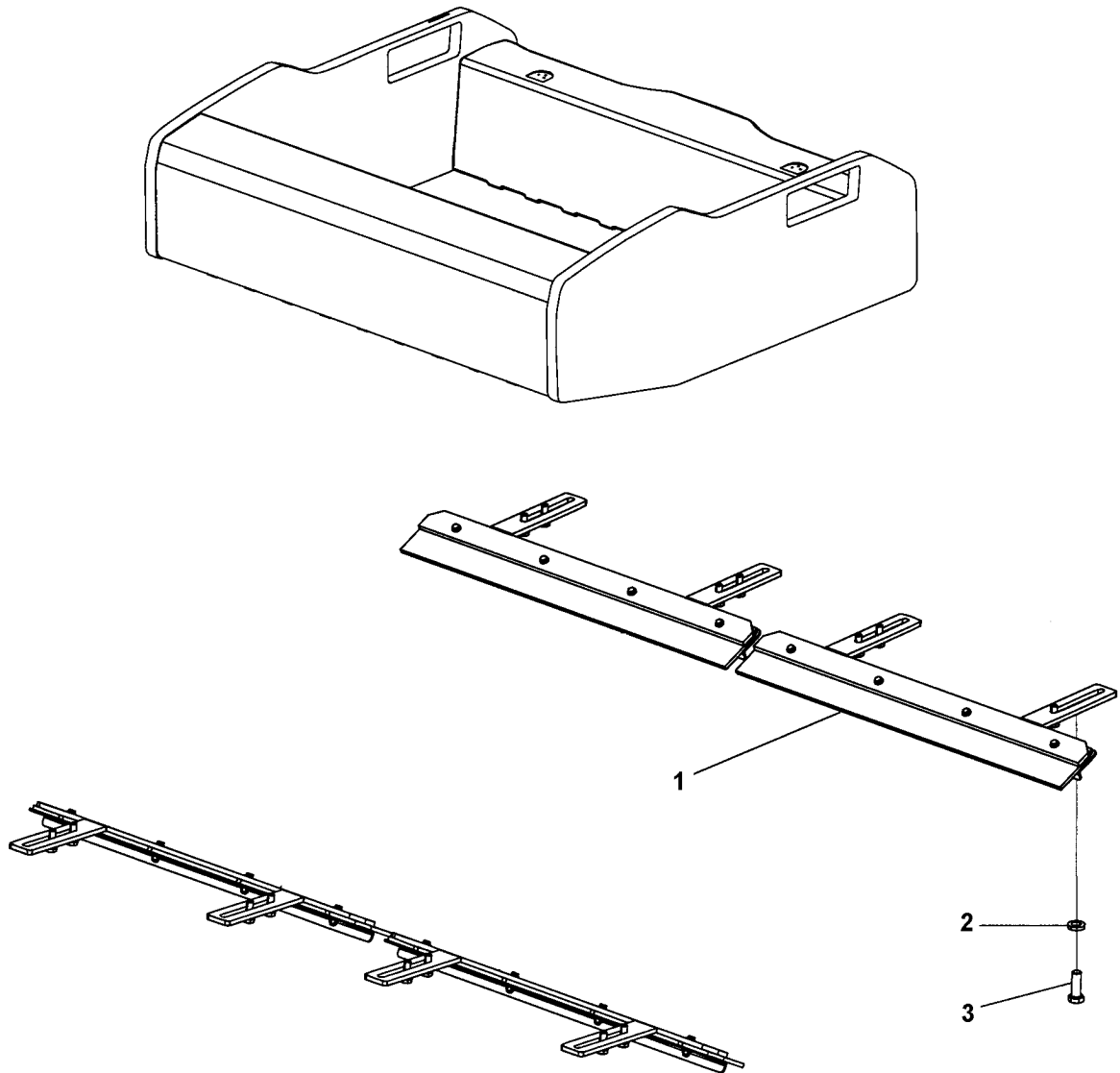
Scraper module



**Scraper module**

<b>Item</b>	<b>Part No</b>	<b>Rem Qty</b>	<b>Description</b>	<b>Code</b>
1	4812115778	1	Scraper	
3	4812111103	2	Holder	
4	4700904558	4	Washer 17X30X6 300HV	
5	4700500102	4	Screw M16x45	

Scraper module Rubber

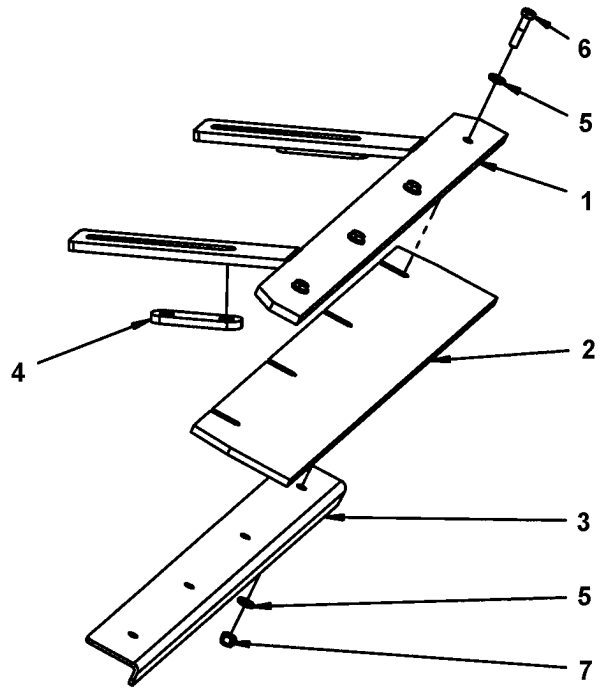




## Scraper module Rubber

Item	Part No	Rem Qty	Description	Code
1		1	Scraper assy ( Page 44 )	
2	4700904558	4	Washer 17X30X6 300HV	
3	4700500102	4	Screw M16x45	

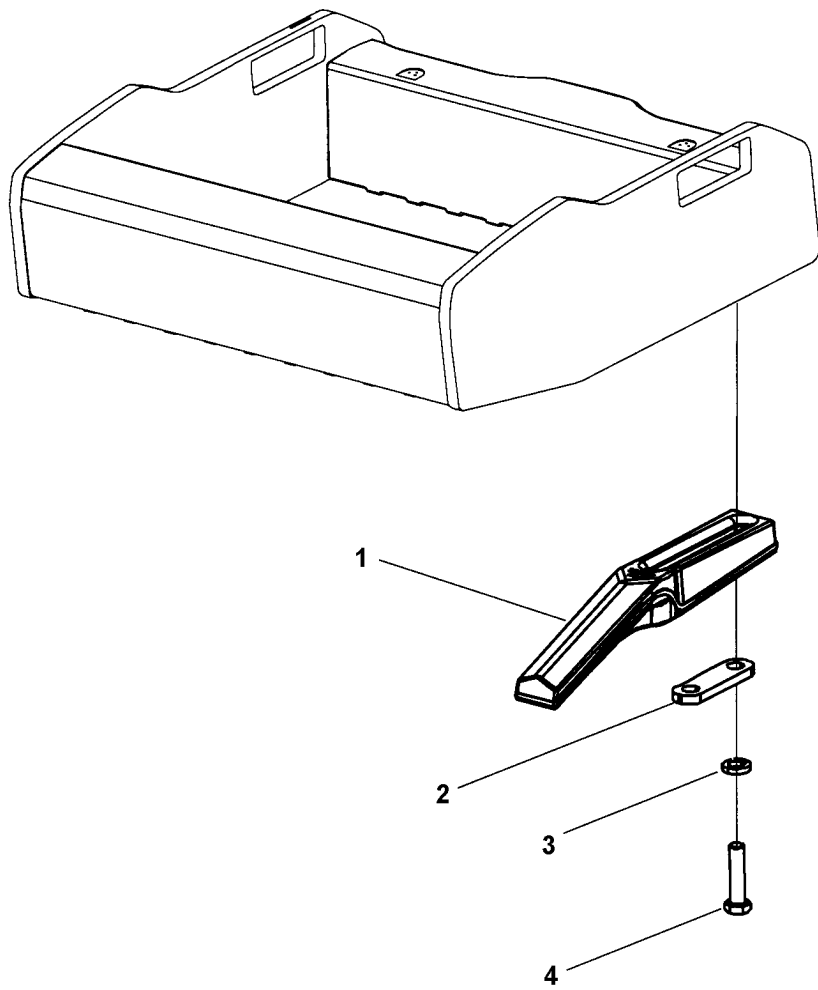
**Scraper assy**



**Scraper assy**

<b>Item</b>	<b>Part No</b>	<b>Rem Qty</b>	<b>Description</b>	<b>Code</b>
1	4812115778	1	Scraper	
2	4812114833	1	Scraper blade	
3	4812111092	1	Bracket	
4	4812111103	2	Holder	
5	4700904230	8	Steel plain washer	
6	4700500161	4	Hexagon head screw	
7	4700586018	4	Hexagon lock nut M10	

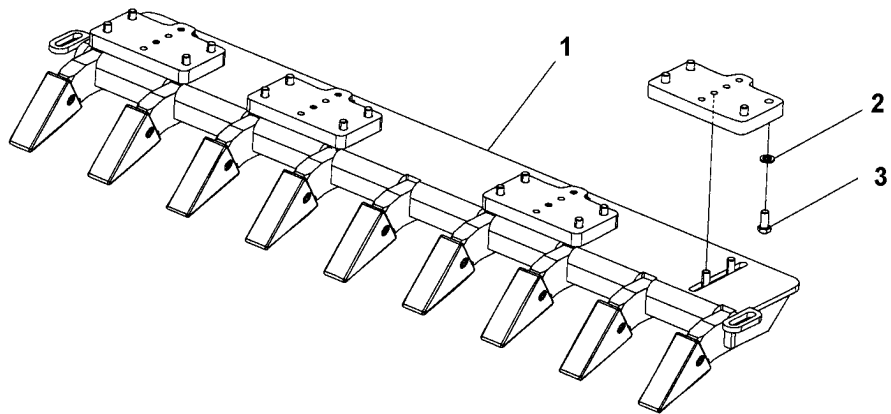
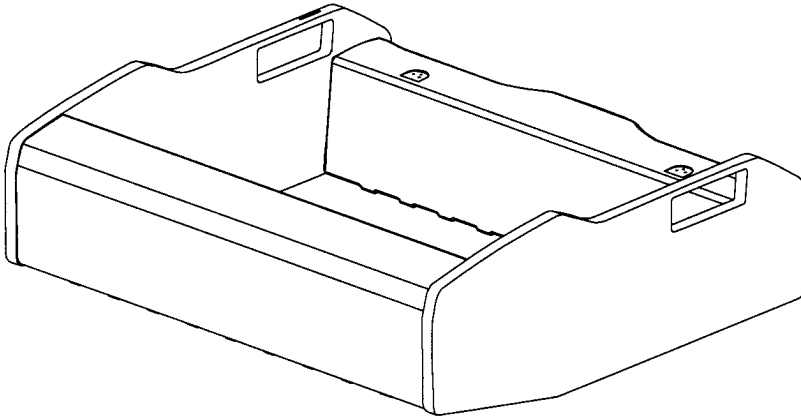
**Scraper module PD Hardox**



## Scraper module PD Hardox

Item	Part No	Rem Qty	Description	Code
1	4812115673	1	Scraper tooth	
2	4812111103	1	Holder	
3	4700904558	2	Washer 17X30X6 300HV	
4	4811000109	2	Screw	

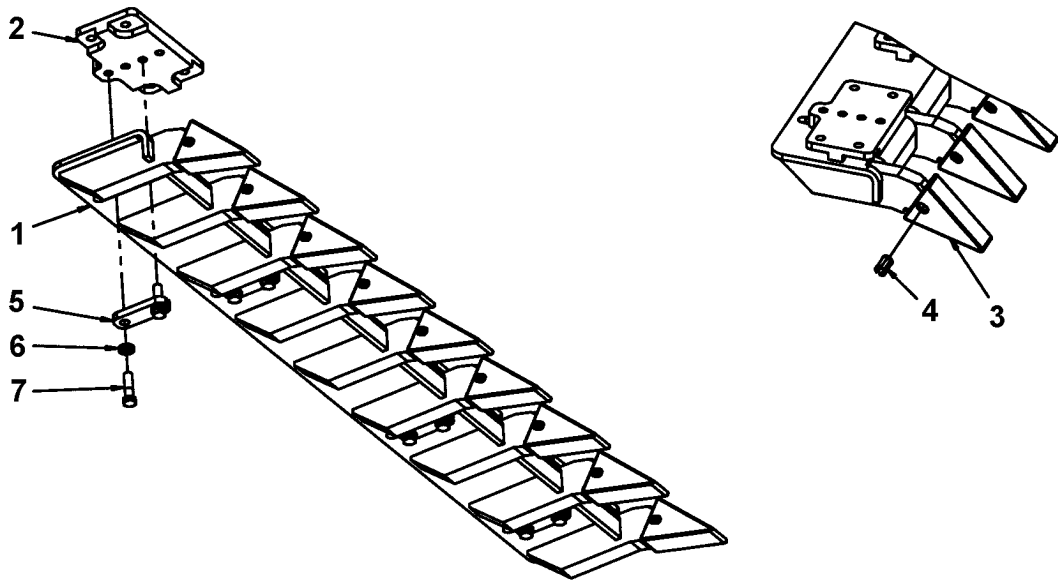
Scraper module PD Heavy duty



## Scraper module PD Heavy duty

Item	Part No	Rem Qty	Description	Code
1		1	Scraper mount ( Page 50 )	
2	4700904232	16	Washer	
3	4700500123	16	Screw M16x35	

Scraper mount





**Scraper mount**

<b>Item</b>	<b>Part No</b>	<b>Rem</b>	<b>Qty</b>	<b>Description</b>	<b>Code</b>
1	4812116617		1	Scraper	
2	4812115508		4	Adapter	
3	4700383844		9	Tooth	
4	4700801631		9	Flexible pin 56,5x40	
5	4812118062	A	4	Holder	
6	4700904558		8	Washer 17X30X6 300HV	
7	4700500270	A	8	Screw M16x60 10,9	

A) Item 5 and 7 used together.

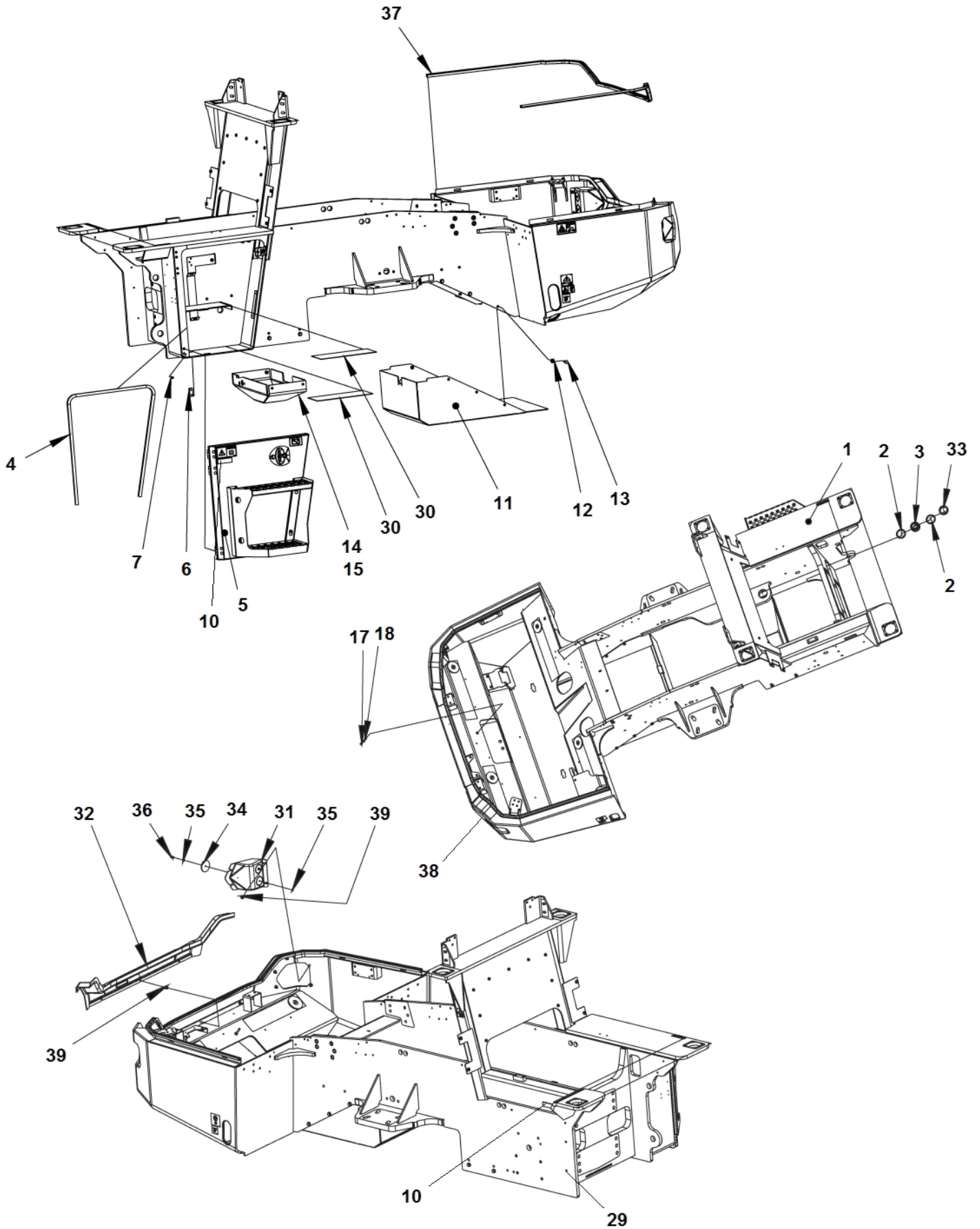
Frame, rear

Frame, rear

Item	Part No	Rem	Qty	Description	Code
1			1	Frame, rear ( Page 54 )	
2		A	1	Step module ( Page 58 )	
5			1	Tool box module, Option ( Page 62 )	

A) Used with cab.

Frame, rear



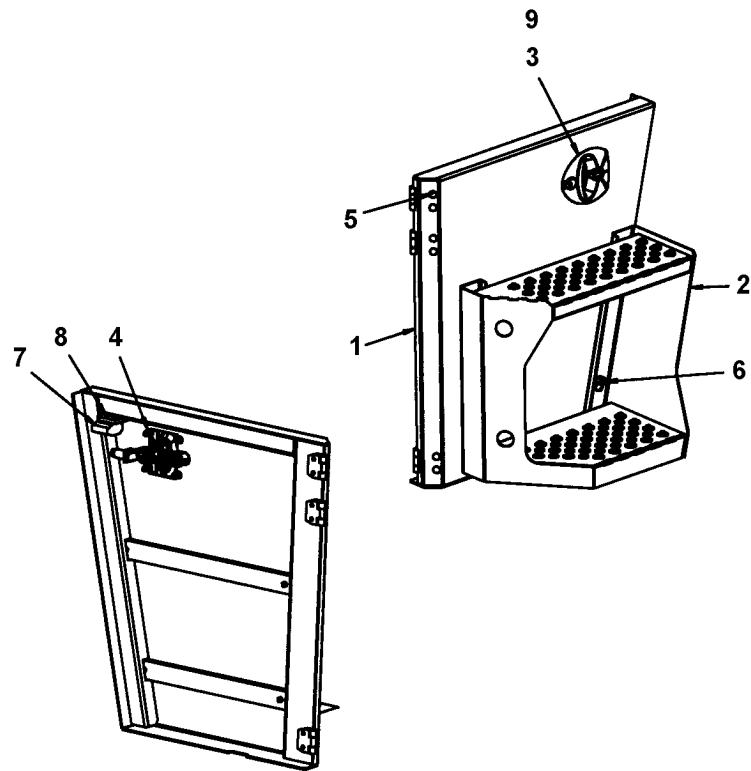
## Frame, rear

Item	Part No	Rem	Qty	Description	Code
1	4812120495		1	Frame rear	
2	4700151023		4	Retaining ring for hole	
3	4812116821		2	Radial spherical plan bearing	
4	4700202057	A	1XL	Edge trim	
5			1	<b>Cover assembly ( Page 56 )</b>	
6	4700389857		3	Threaded plate	
7	4700513012		6	Screw M6x20 10,9	
10	4700377744		2	Reflector, yellow	
11	4812111010		1	Cover plate	
12	4700904557		10	Steel plain washer	
13	4700500031		6	Screw M10x040 8.8	
14	4812117048		1	Cover plate	
15	4700500161		4	Hexagon head screw	
17	4700500239		1	Screw M8x50H 8,8	
18	4700570005		1	Nut M8	
29	4700926215		5	Protective plug	
30	4700355608		2	Slip protection	
31	4812120160		2	Holder	
32	4812120402		1	Cover	
33	4812120661		2	Sealing strip	
34	4700791956		4	Reflector, red	
35	4700904228		8	Washer 6,4x12x1,5	
36	4700791666		4	Blind rivet	
37	4812120363	B	1XL	Edge trim	
38	4700377742		2	Reflector, red	
39	4700903586		13	Nut	

A) L = 1.83m

B) L= 3.93 m

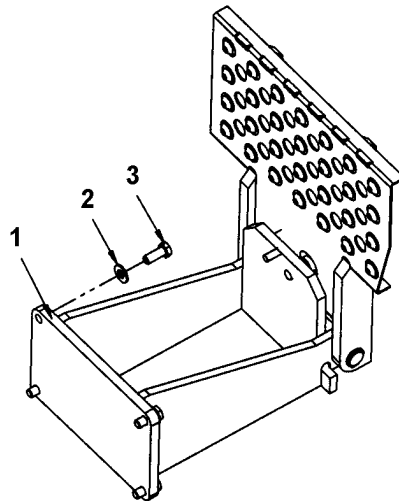
Cover assembly



**Cover assembly**

<b>Item</b>	<b>Part No</b>	<b>Rem Qty</b>	<b>Description</b>	<b>Code</b>
1	4812113315	1	Cover	
2	4812112059	1	Step assy	
3	4812115745	1	Lock with bracket	
4	4700902285	4	Hexagon lock nut with flange	
5	4700921723	6	Plug	
6	4700508028	4	Screw	
7	4700390365	1	Spacer	
8	4700513017	2	Screw M6x30H 10,9	
9	4700358881	1	Pad lock	

**Step module**

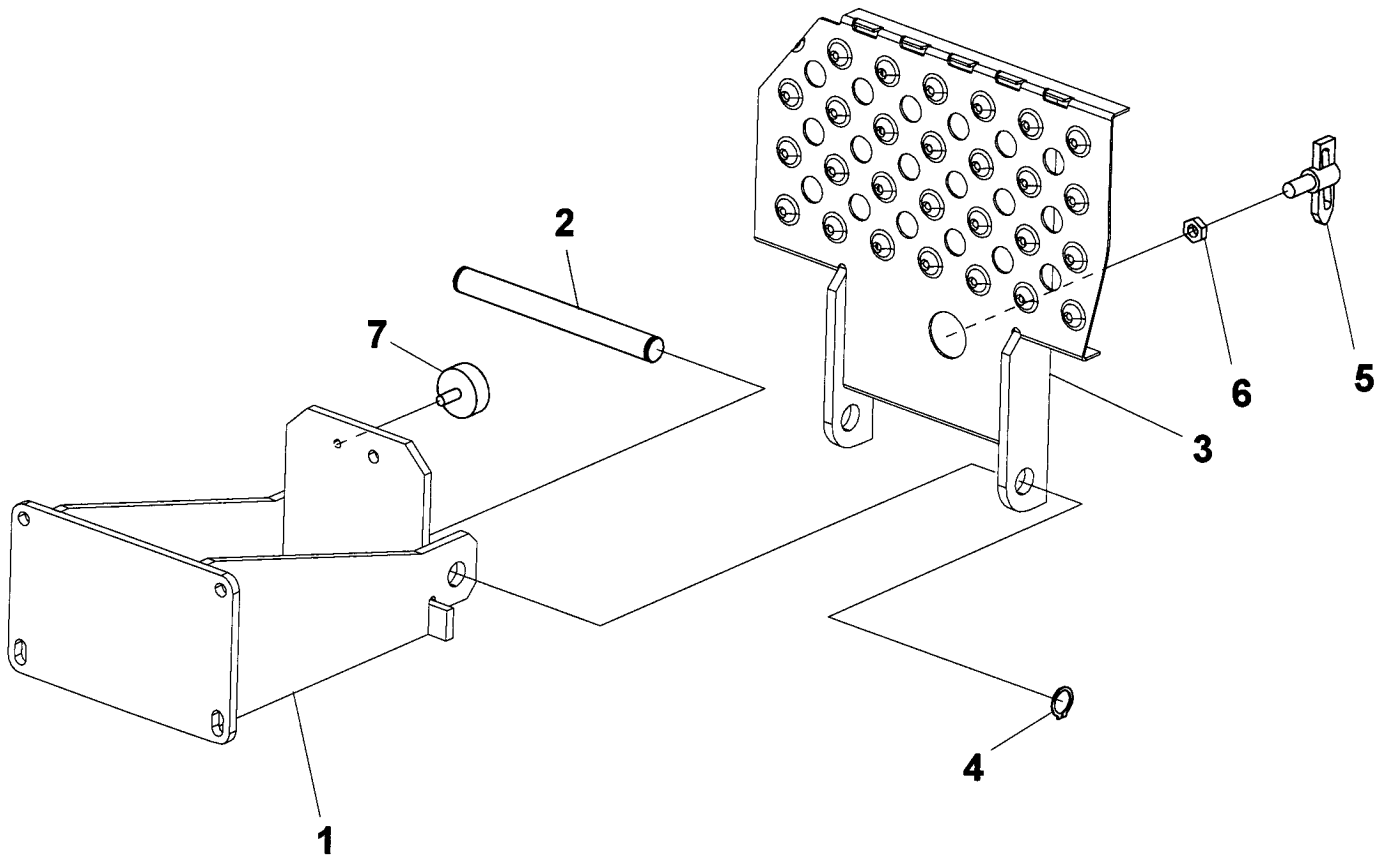




## Step module

Item	Part No	Rem Qty	Description	Code
1		1	Step assy ( Page 60 )	
2	4700904230	4	Steel plain washer	
3	4700500028	4	Screw	

**Step assy**

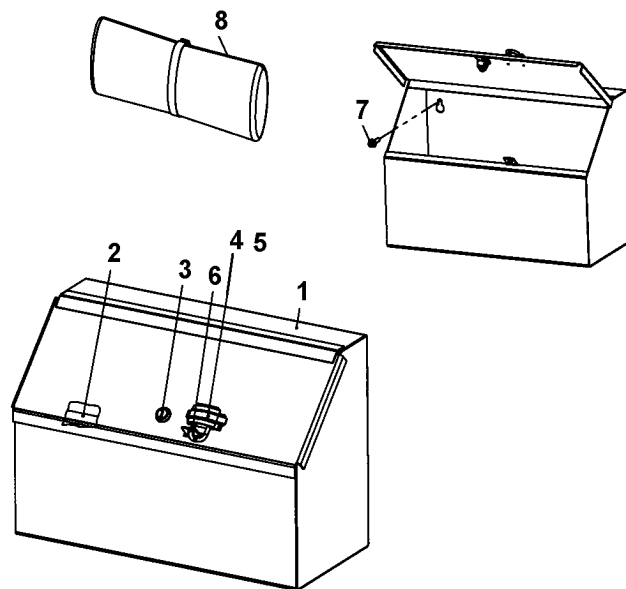


**Step assy**

Item	Part No	Rem	Qty	Description	Code
1	4812116653	A	1	Bracket	
2	4812116651	A	1	Shaft	
3	4812116652	A	1	Step	
4	4700150008		2	Snap ring	
5	4700475064		1	Lock	
6	4700927233		1	Nut	
7	4700792601		1	Shock absorber	

A) Item 1, 2 and 3 used together.

**Tool box module, Option**



**Tool box module, Option**

Item	Part No	Rem	Qty	Description	Code
1	4812114756		1	Tool box	
2	4700903615	A	1XL	Rubber strip	
3	4700372658		1	Lock	
4	4700394536		1	Wiring clip	
5	4700624018		2	Blind rivet	
6	4700358881		1	Pad lock	
7	4700902041		3	Screw M8 x 25	
8	4700355889		1	Tool set Cpl	

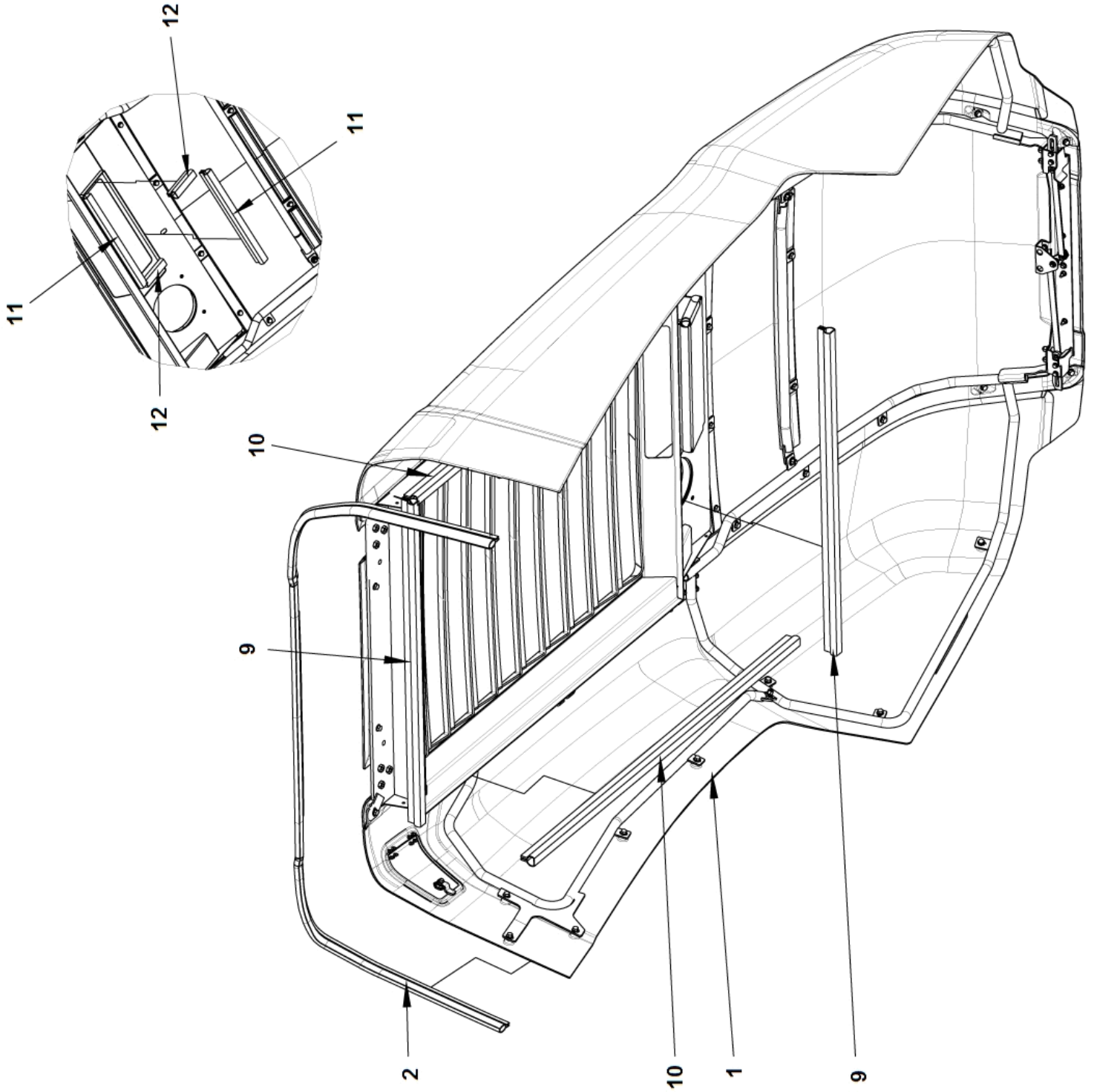
A) L=0.48m

## Engine structure

**Engine structure**

<b>Item</b>	<b>Part No</b>	<b>Rem Qty</b>	<b>Description</b>	<b>Code</b>
1		1	Engine hood ( Page 66 )	
2		1	Fender module ( Page 72 )	
3		1	Hinge module ( Page 74 )	
4		1	Lock handle assy ( Page 76 )	
7		1	Gas spring module ( Page 78 )	
8		1	Safety link module ( Page 80 )	

Engine hood

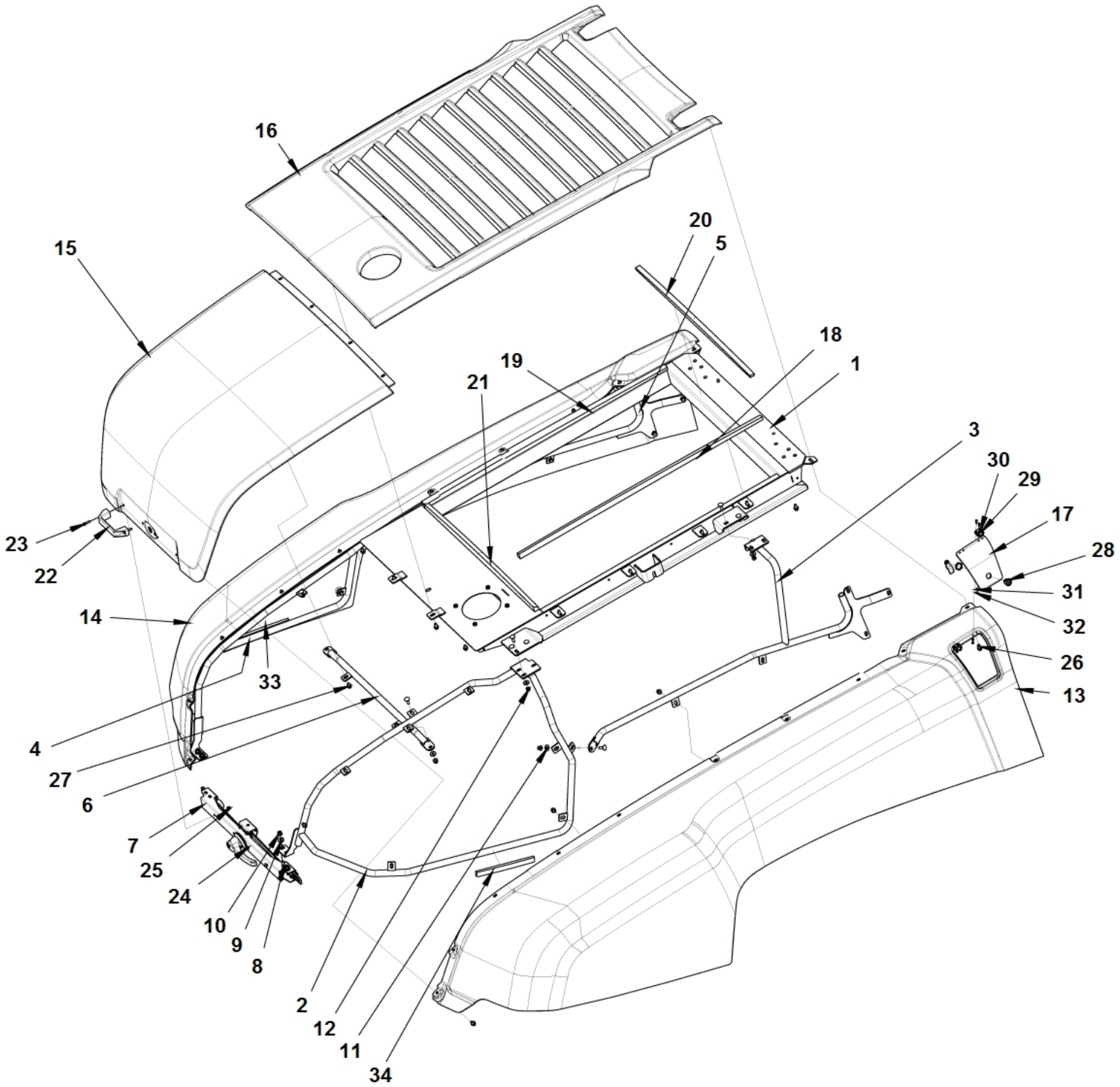




**Engine hood**

Item	Part No	Rem	Qty	Description	Code
1	4812120749		1	<b>Engine hood, cpl ( Page 68 )</b>	
2	4812114814		1	Sealing strip	
7	4812116284	A	1XL	Sealing strip	
8	4812116284	B	1XL	Sealing strip	
9	4812117839	C	1XL	Sealing strip	
10	4812117839	D	1XL	Sealing strip	
11	4812117839	E	1XL	Sealing strip	
12	4812117839	F	1XL	Sealing strip	
A)	L = 1.48m				
B)	L = 1.82m				
C)	L = 1.96m				
D)	L = 2.44m				
E)	L = 0.76m				
F)	L = 0.21m				

4812120749 Engine hood, cpl



## 4812120749 Engine hood, cpl

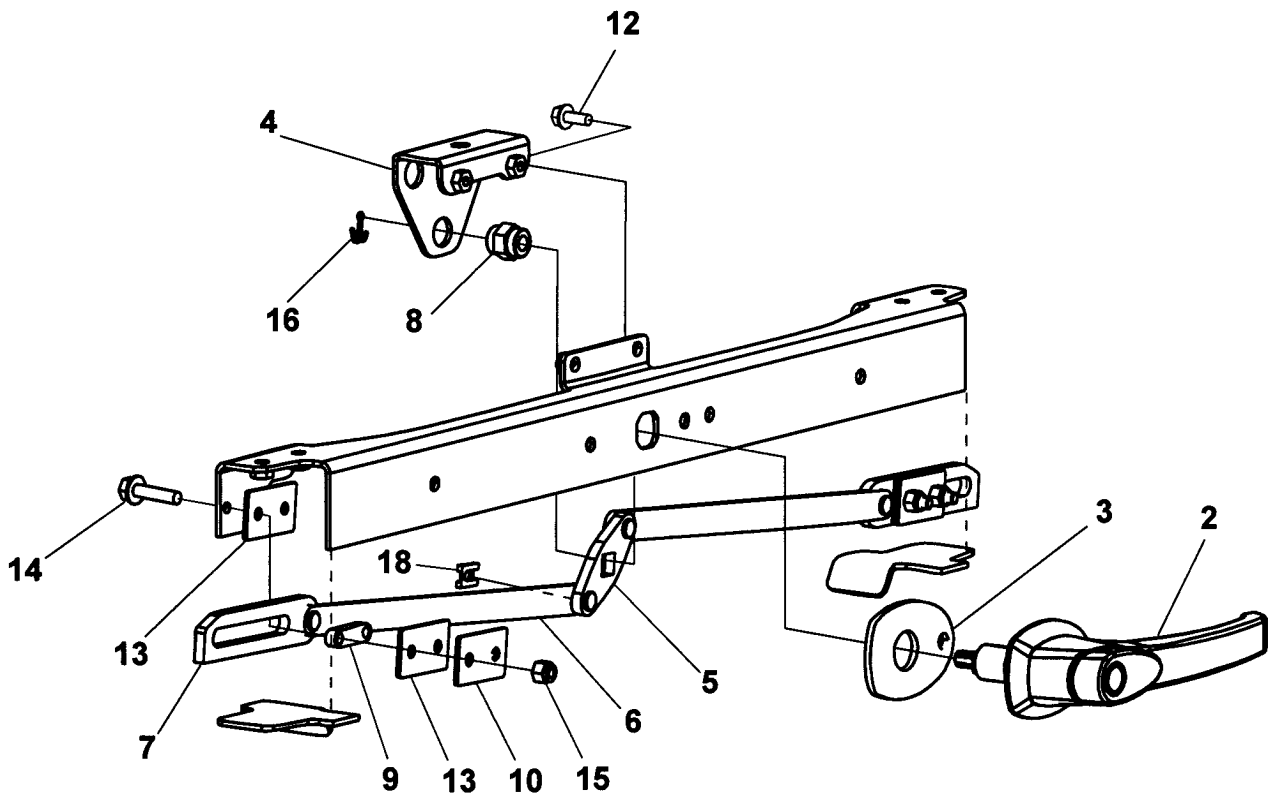
Item	Part No	Rem	Qty	Description	Code
1	4812118525		1	Frame	
2	4812114476		1	Frame side right	
3	4812121368		1	Frame side right	
4	4812118859		1	Frame side left	
5	4812118862		1	Frame side left	
6	4812114488		1	Strut	
7	4812118994		1	<b>Lock handle, cpl ( Page 70 )</b>	
8	4700929191		18	Bolt	
9	4700904735		4	Washer	
10	4700902286		8	Hexagon lock nut with flange	
11	4700904640		14	Washer 8,4x22x3	
12	4700586003		10	Lock nut M8	
13	4812120725		1	Engine hood right	
14	4812120726		1	Engine hood left	
15	4812120727		1	Engine hood	
16	4812120729		1	Engine hood center	
17	4812120730		1	Cover	
18	4700792796	A	1XL	Rubber strip 25x20	
19	4700792796	A	1XL	Rubber strip 25x20	
20	4700792796	B	1XL	Rubber strip 25x20	
21	4700792796	B	1XL	Rubber strip 25x20	
22	4812112404		1	Grab handle	
23	4700500075		2	Screw M6-1,0x25 8.8	
24	4700903923		2	Bolt, cup square neck M6x25H 4,6 FZB	
25	4700902285		4	Hexagon lock nut with flange	
26	4700901832		20	Screw M08x16 8,8	
27	4700904755		24	Screw M8x12 8,8 FZB	
28	4812112834		1	Lock	
29	4812116862		2	Hinge	
30	4812118976		8	Hex.sock.flat head cap screw	
31	4700904698		8	Washer 4,3x8x0,8	
32	4700923976		8	Nut	
33	4700792718	C	1XL	Foam rubber	
34	4700792718	C	1XL	Foam rubber	

A) L= 1.13 m

B) L= 0.89 m

C) L= 0.25 m

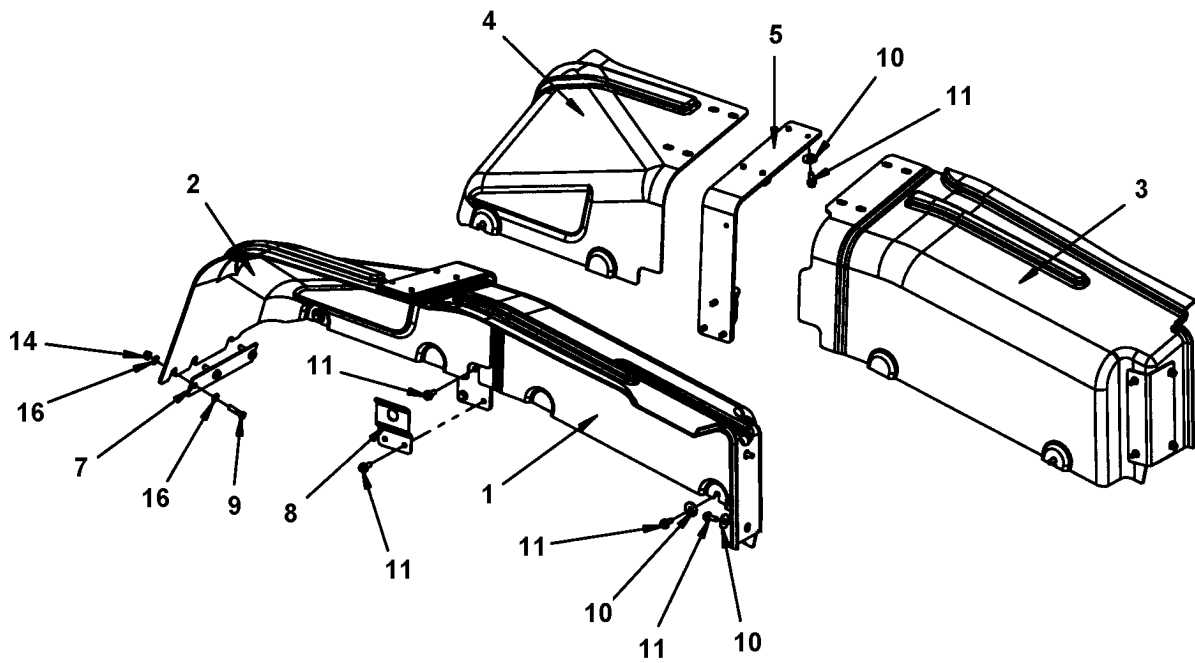
4812118994 Lock handle, cpl



## 4812118994 Lock handle, cpl

Item	Part No	Rem Qty	Description	Code
	4812118994	1	Lock handle, cpl	
2	4812112403	1	. Lock handle	
	4700902866	1	. . Key Marked "455"	
3	4812114828	1	. Spacer washer	
4	4812118989	1	. Holder	
5	4812114829	1	. Coupling link	
6	4812114830	2	. Lock lever	
7	4812112843	2	. Lock lever	
8	4812114831	1	. Lock nut	
9	4812112884	2	. Slide plate	
10	4812116793	2	. Thrust washer	
12	4700792119	2	. Hexagon screw	
13	4812116792	4	. Slide plate	
14	4700500502	4	. Hexagon screw with flange M6 -25	
15	4700586002	4	. Lock nut M6 -8	
16	4700630003	1	. Cotter pin	
18	4812117473	4	. Locking clip for shaft	

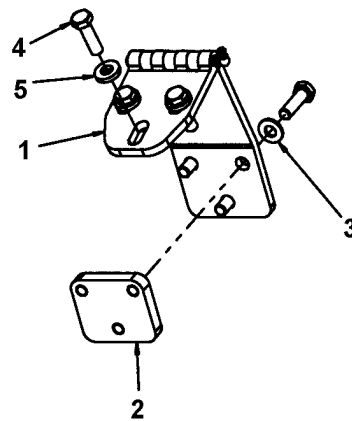
Fender module



## Fender module

Item	Part No	Rem Qty	Description	Code
1	4812115231	1	Fender	
2	4812115232	1	Fender	
3	4812115233	1	Fender	
4	4812115234	1	Fender	
5	4812115022	2	Bracket	
6	4812115722	2	Bracket	
7	4812115723	2	Bracket	
8	4812116308	2	Bracket	
9	4700500031	6	Screw M10x040 8.8	
10	4700615061	16	Steel plain washer	
11	4700500509	22	Hexagon screw with flange	
12	4700615050	4	Washer	
13	4700500021	4	Screw M8-1,25x25 8.8	
14	4700586018	5	Hexagon lock nut M10	
16	4700904230	11	Steel plain washer	

**Hinge module**

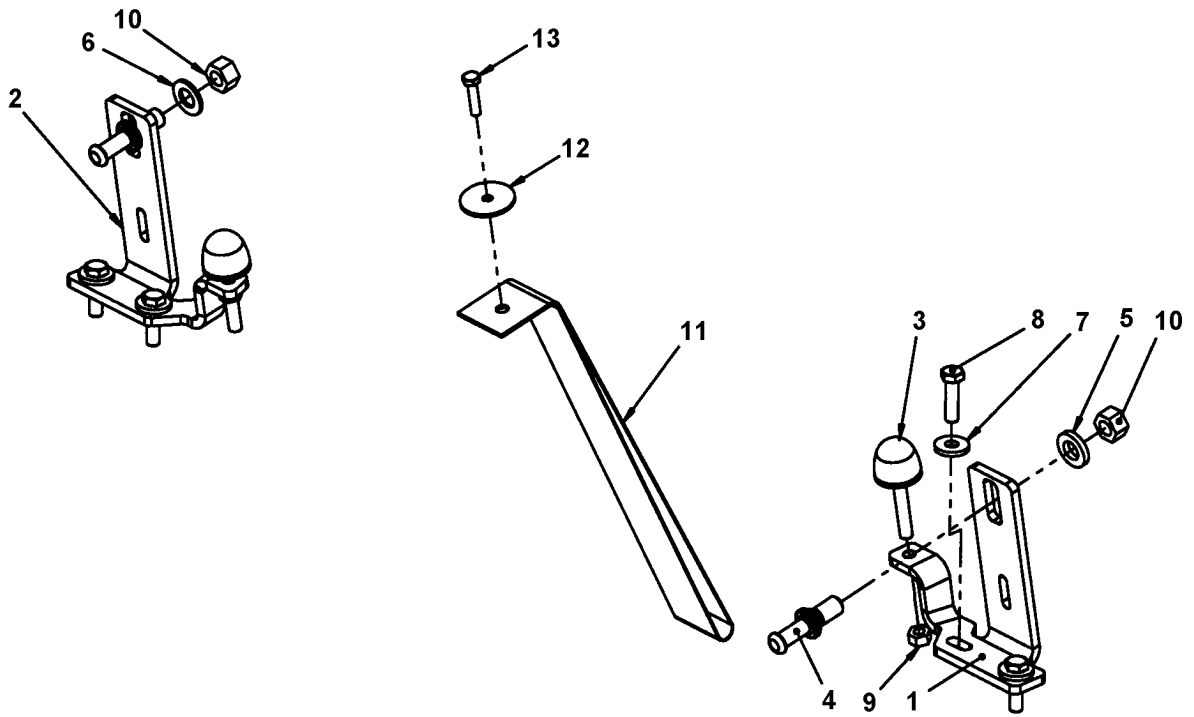




Hinge module

Item	Part No	Rem Qty	Description	Code
1	4812112402	2	Hinge	
2	4700374799	2	Holder plate	
3	4700904230	6	Steel plain washer	
4	4700500030	12	Screw M10x035H 8.8 A3K	
5	4700904557	6	Steel plain washer	

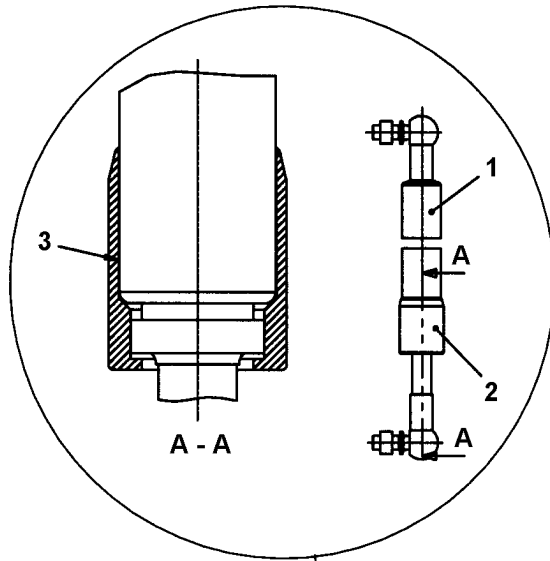
Lock handle assy



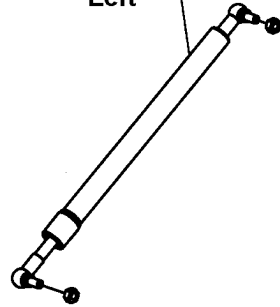
**Lock handle assy**

<b>Item</b>	<b>Part No</b>	<b>Rem Qty</b>	<b>Description</b>	<b>Code</b>
1	4812112845	1	Holder	
2	4812112846	1	Holder	
3	4812114318	2	Shock absorber	
4	4812115010	2	Lock pin	
5	4700904703	1	Steel plain washer	
6	4700904231	1	Washer 13x24x2 300 HV	
7	4700904640	4	Washer 8,4x22x3	
8	4700500022	4	Screw M8x30H 8.8	
9	4700570005	2	Nut M8	
10	4700570007	2	Hexagon nut M12	
11	4700374854	1	Grab handle	
12	4700615050	1	Washer	
13	4700500075	1	Screw M6-1,0x25 8.8	

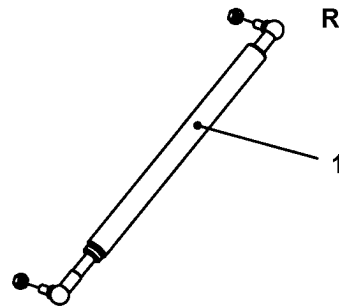
Gas spring module



Left



Right

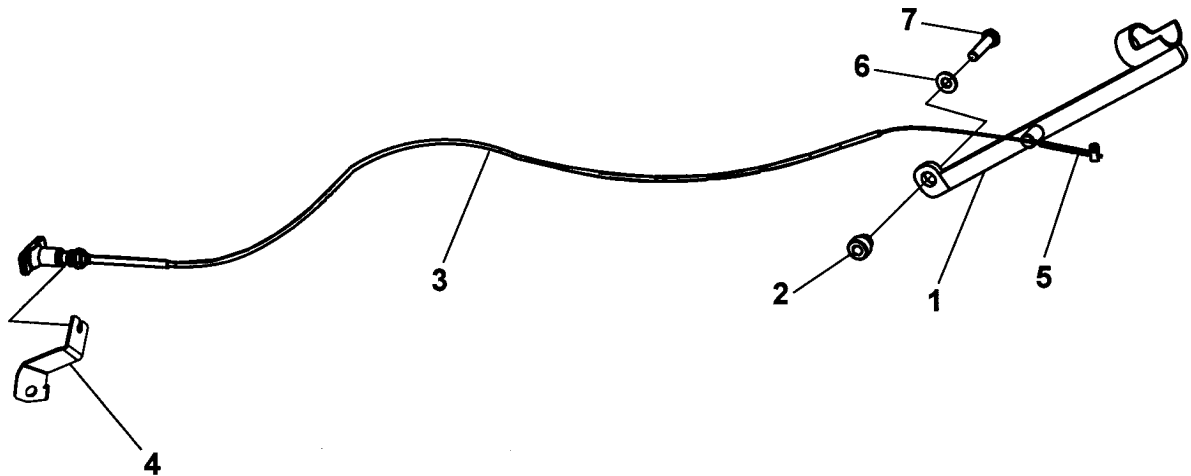


**Gas spring module**

<b>Item</b>	<b>Part No</b>	<b>Rem</b>	<b>Qty</b>	<b>Description</b>	<b>Code</b>
1	4812112405		2	Gas spring	
2	4700382383	A	1	Gas spring protection	
3		N		Loctite 638	

A) Only on left side.

**Safety link module**



**Safety link module**

<b>Item</b>	<b>Part No</b>	<b>Rem Qty</b>	<b>Description</b>	<b>Code</b>
1	4812112736	1	Safety link	
2	4812112952	1	Spacer	
3	4812112950	1	Control wire	
4	4812118853	1	Bracket	
5	4811000462	1	Compression spring	
6	4700904230	1	Steel plain washer	
7	4700500031	1	Screw M10x040 8.8	

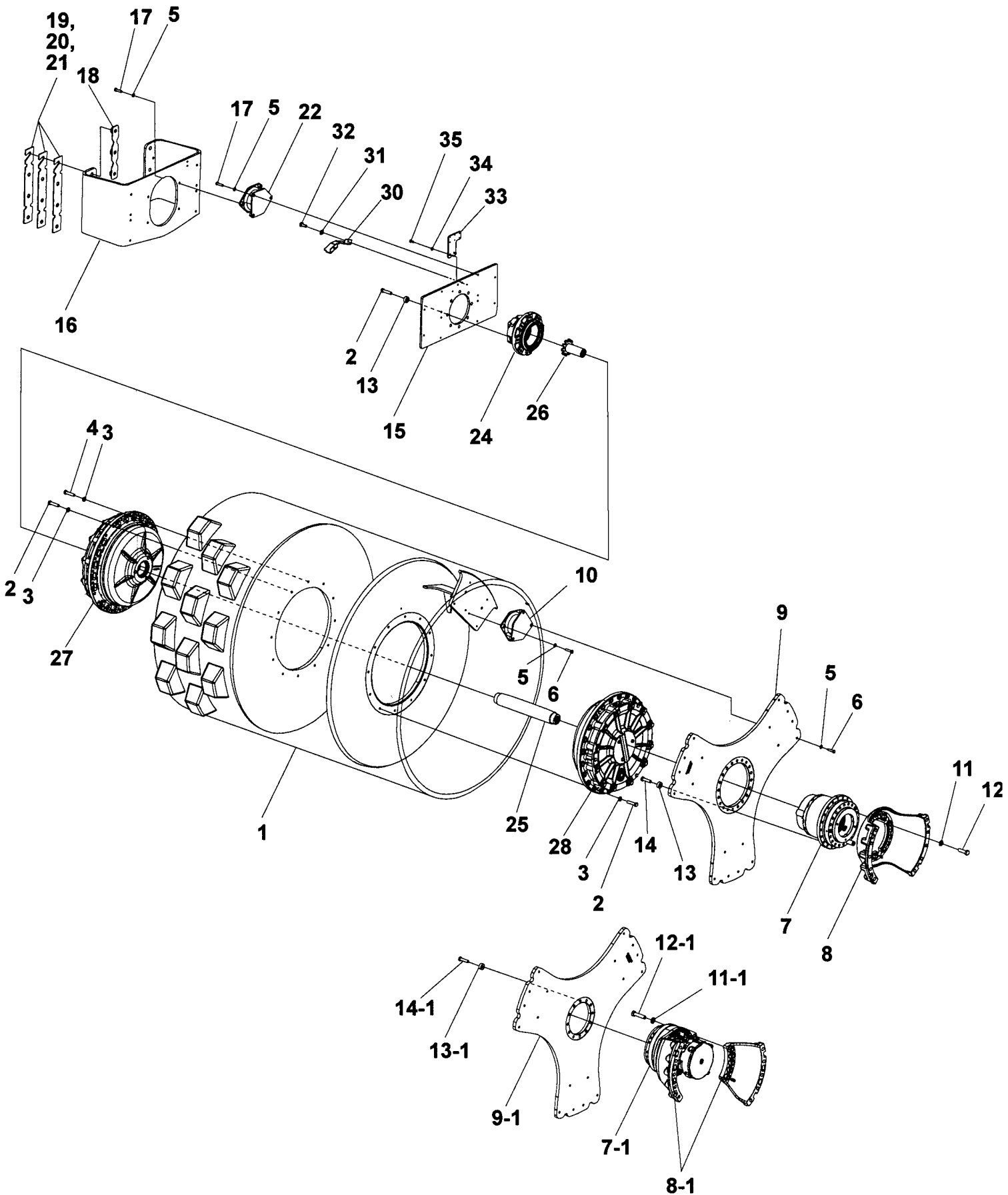
Drum



Drum

Item	Part No	Rem Qty	Description	Code
1		1	Drum, cpl ( Page 84 )	
2		1	Pad shell, option ( Page 108 )	

Drum, cpl

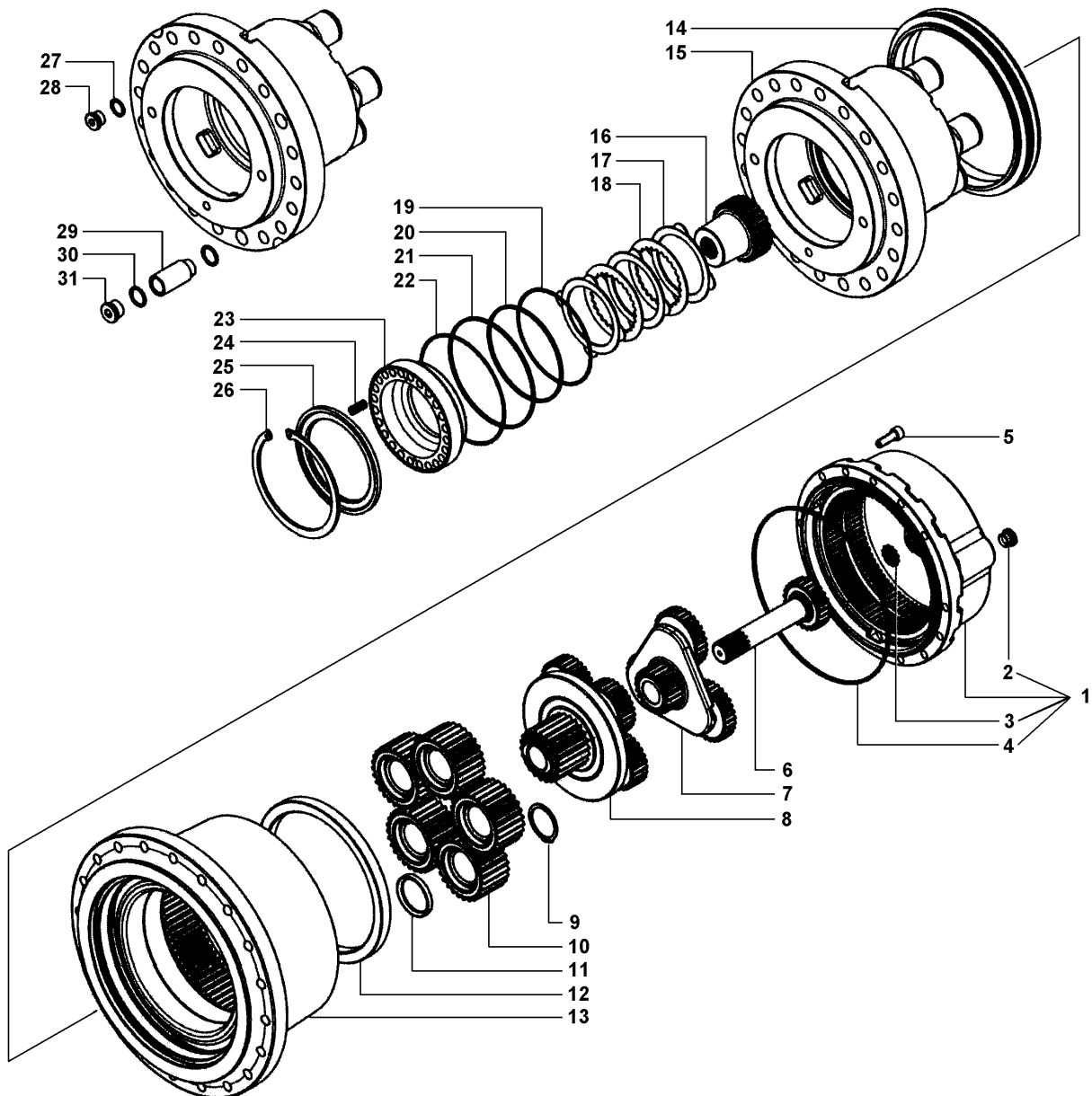


## Drum, cpl

Item	Part No	Rem	Qty	Description	Code
1	4812113213	C	1	Drum	
	4812113224		1	Drum	
	4812113214	B	1	Drum, pad	
2	4700500082		31	Screw M16x70 8,8	
3	4700904232		24	Washer	
4	4700384121		1	Air breather screw	
5	4700904231		50	Washer 13x24x2 300 HV	
6	4812110644		36	Hexagon screw w Tuflok M12x50 10.9 GEOMET	
7	4812113266	H	1	<b>Drum gear ( Page 86 )</b>	
7-1	4812112198	G	1	<b>Hydraulic motor ( Page 88 )</b>	
8	4812113281		1	Bracket	
8-1	4812113283	G	1	Bracket	
9	4812113699		1	Driving disc	
9-1	4812113075	G	1	Driving disc	
10	4812111046		6	Shock absorber	
11	4700904233		17	Washer 21x36x3	
11-1	4700904260	G	10	Washer	
12	4700947706		17	Hexagon head screw M20X0,65 10.9	
12-1	4812116183	G	10	Hexagon head screw	
13	4700384114		28	Spacer	
13-1	4700384114	G	12	Spacer	
14	4700947699		20	Screw	
14-1	4700947698	G	12	Screw M16x55 10.9	
15	4812113148		1	Bracket	
16	4812113853		1	Bracket	
17	4812110642		24	Hexagon screw w Tuflok M12x45 10.9 Geomet	
18	4812114340		2	Nut-plate	
19	4812114344	N		Shim t = 1mm	
20	4812114345	N		Shim t = 3mm	
21	4812114346	N		Shim t = 5mm	
22	4812113258		4	Shock absorber	
24			1	<b>Vibration motor adapter ( Page 92 )</b>	
25	4812112465	D	1	Drive shaft	
	4700349682		1	Drive shaft	
26			1	<b>Tooth wheel module ( Page 94 )</b>	
27	4812158090	B	1	<b>Drum cartridge, vibration side (PD version) ( Page 96 )</b>	
	4812158091	A	1	<b>Drum cartridge, vibration side (D version) ( Page 98 )</b>	
	4812158095	B	1	<b>Drum cartridge with shaft nut, vibration side (PD version) ( Page 100 )</b>	
	4812158096	A	1	<b>Drum cartridge with shaft nut, vibration side (D version) ( Page 102 )</b>	
28	4812158085	B	1	<b>Drum cartridge, drive side (PD version) ( Page 104 )</b>	
	4812158086	A	1	<b>Drum cartridge, drive side (D version) ( Page 106 )</b>	
30	4812116029	I	1	Protective casing	
31	4700904556	I	2	Washer 8,4x16x3,0	
32	4700500053	I	2	Screw M8x20H 8.8	
33	4812116043	J	1	Plate	
34	4700904231	J	2	Washer 13x24x2 300 HV	
35	4700500051	J	2	Screw M12x25H 8.8 A3K	

- A) For D machines.
- B) For PD machines.
- C) Anti-spin system, option.
- D) Compaction data high, option.
- G) Used with smooth drum.
- H) Used with pads drum.
- I) Used with frequency sensor, option.
- J) Used with compaction meter, option.

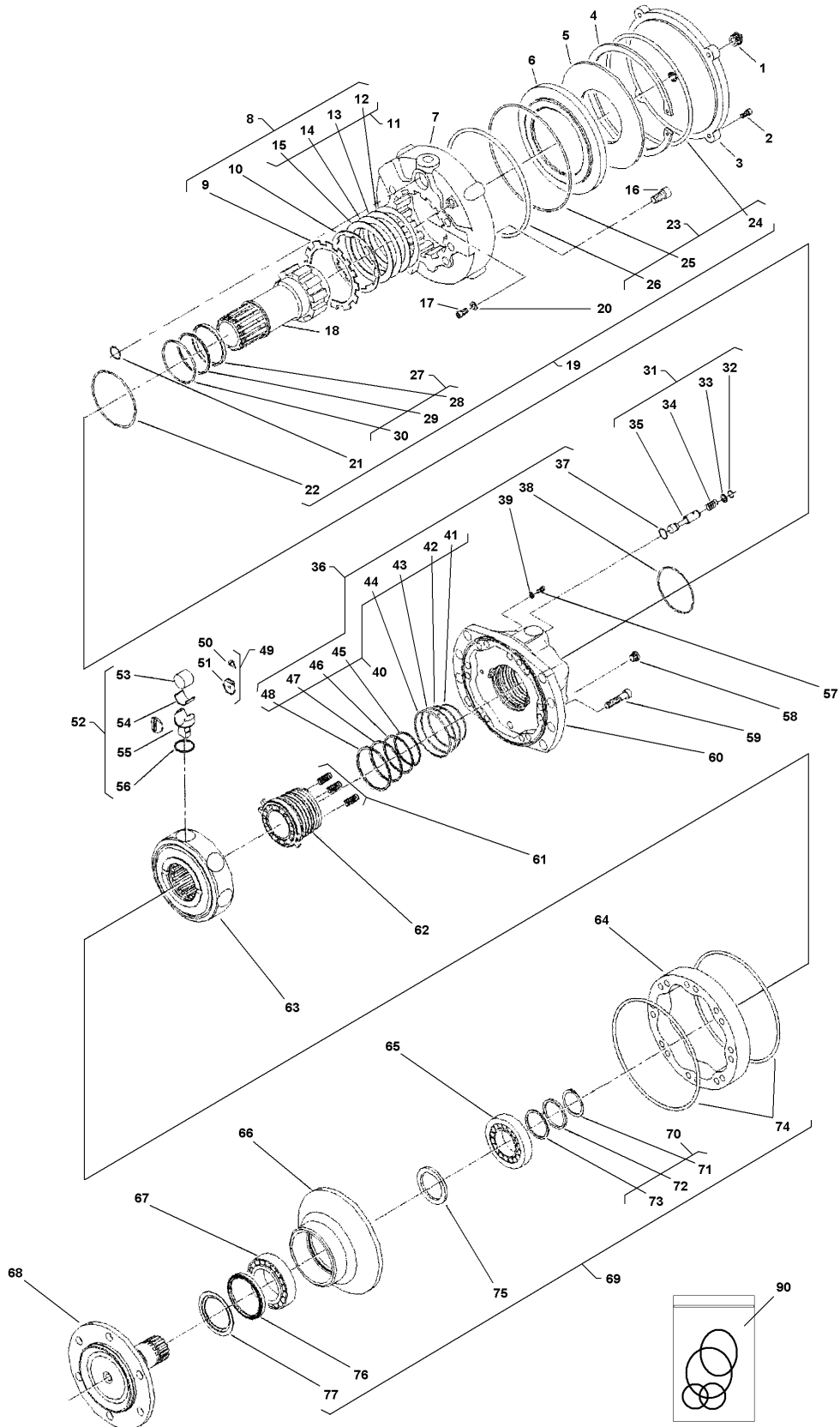
4812113266 Drum gear



**4812113266 Drum gear**

Item	Part No	Rem Qty	Description	Code
1	4812158777	1	Cover Assy	
2	4812158783	2	. Oil breather plug	
3		1	. Pad	
4	4812158778	1	. O-ring	
5		13	Screw	
6		1	Sun gear	
7		1	Reduction assy	
8		1	Reduction assy	
9		5	Circlip	
10		5	Planetary assy	
11		5	Spacer	
12		1	Nut	
13	4812158779	1	Gear output	
14	4812158780	1	Seal	
15		1	Hub	
16		1	Brake shaft	
17		6	Sintered disc	
18		5	Steel disc	
19		1	Back-up ring	
20	4812158781	1	O-ring	
21	4812158782	1	O-ring	
22		1	Back-up ring	
23		1	Brake piston	
24		20	Spring	
25		1	Spring retainer	
26		1	Circlip	
27		1	Washer	
28		1	Plug	
29		1	Extension	
30		3	Washer	
31		2	Plug	

4812112198 Hydraulic motor

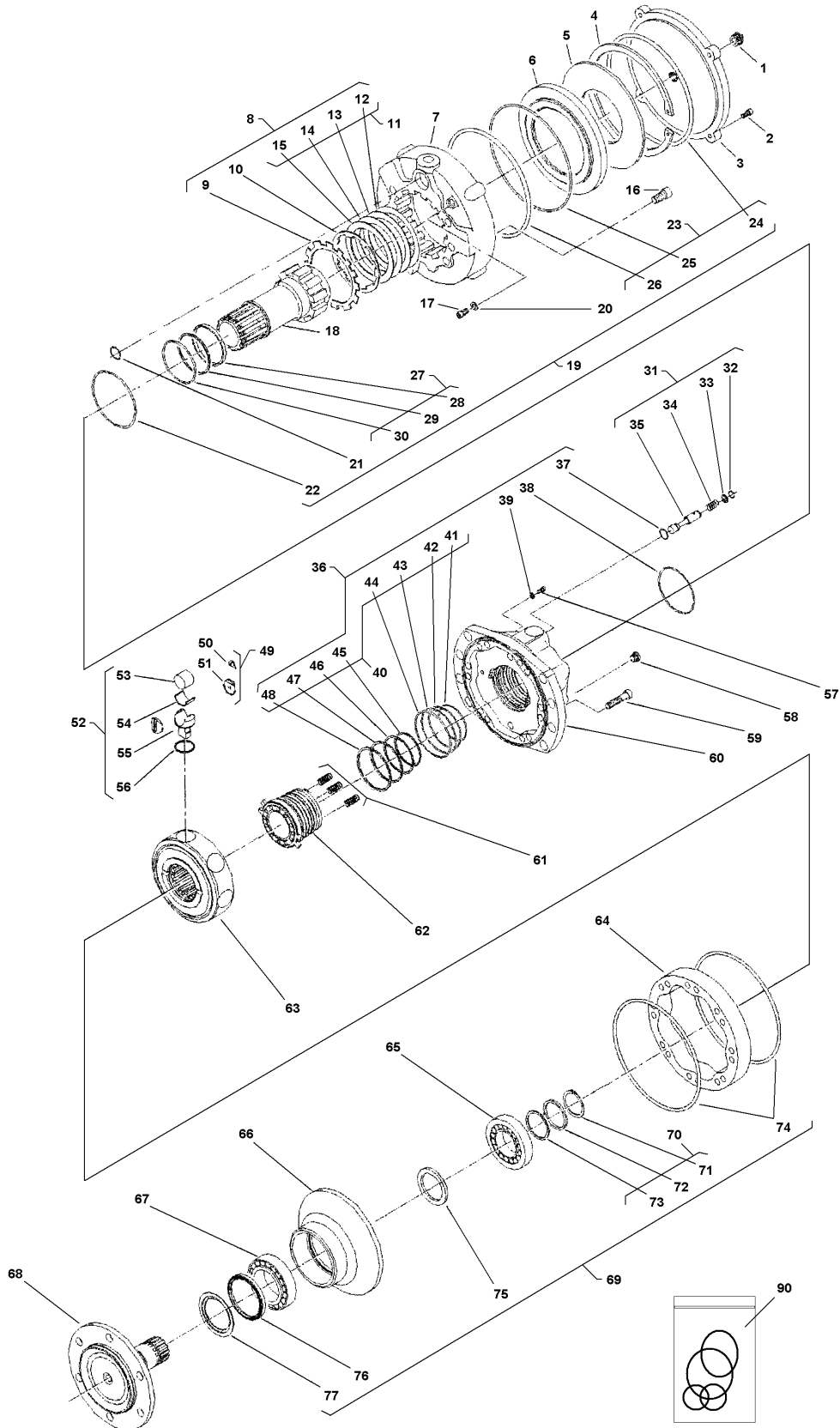


4812112198 Hydraulic motor

Item	Part No	Rem Qty	Description	Code
	4812112198	1	Hydraulic motor ( Page 88 )	
1		1	. Valve poppet	
2		4	. Screw	
3		1	. Blanking plate	
4		1	. Snap ring	
5		1	. Spring washer	
6		1	. Piston (brake)	
7		1	. Brake housing	
8	4812158391	1	. Brake disc & shim kit	
9		32	.. Brake disc	
10		33	.. Brake disc	
11		1	.. Shim assy	
12		1	... Shim	
13		1	... Shim	
14		1	... Shim	
15		2	... Shim	
16		10	. Screw	
17		2	. Screw	
18		1	. Brake shaft	
19	4812158390	A	. Multi disc brake seal kit	
20		A	.. Seal	
21		A	.. Seal	
22		A	.. Seal	
23		A	.. Seal kit	
24		A	... Seal	
25		A	... Seal	
26		A	... Seal	
27		A	.. Shaft seal kit	
28		A	... Brake bushing	
29		A	... Seal	
30		A	... Seal support	
31	4812158393	1	. Spool valve kit	
32		1	.. Snap ring	
33		1	.. Washer	
34		1	.. Spring	
35		1	.. Spool	
36	4812158392	1	. Motor valve seal kit	
37		A	.. Seal	
38		A	.. Seal	
39		A	.. Seal	
40		A	.. Seal kit	
41		A	... Seal	
42		A	... Seal	
43		A	... Seal	
44		A	... Seal	
45		A	... Seal support	
46		A	... Seal support	
47		A	... Seal support	
48		A	... Seal support	
49		1	. Cylinder block kit	
50		10	.. Clip	
51		20	.. Half moon disc	
52		10	. Piston kit	
53		1	.. Roller	
54		1	.. Piston bushing	
55		1	.. Piston	
56		1	.. Piston seal	
57		1	. Screw	

A) Included in seal kit item 90

4812112198 Hydraulic motor



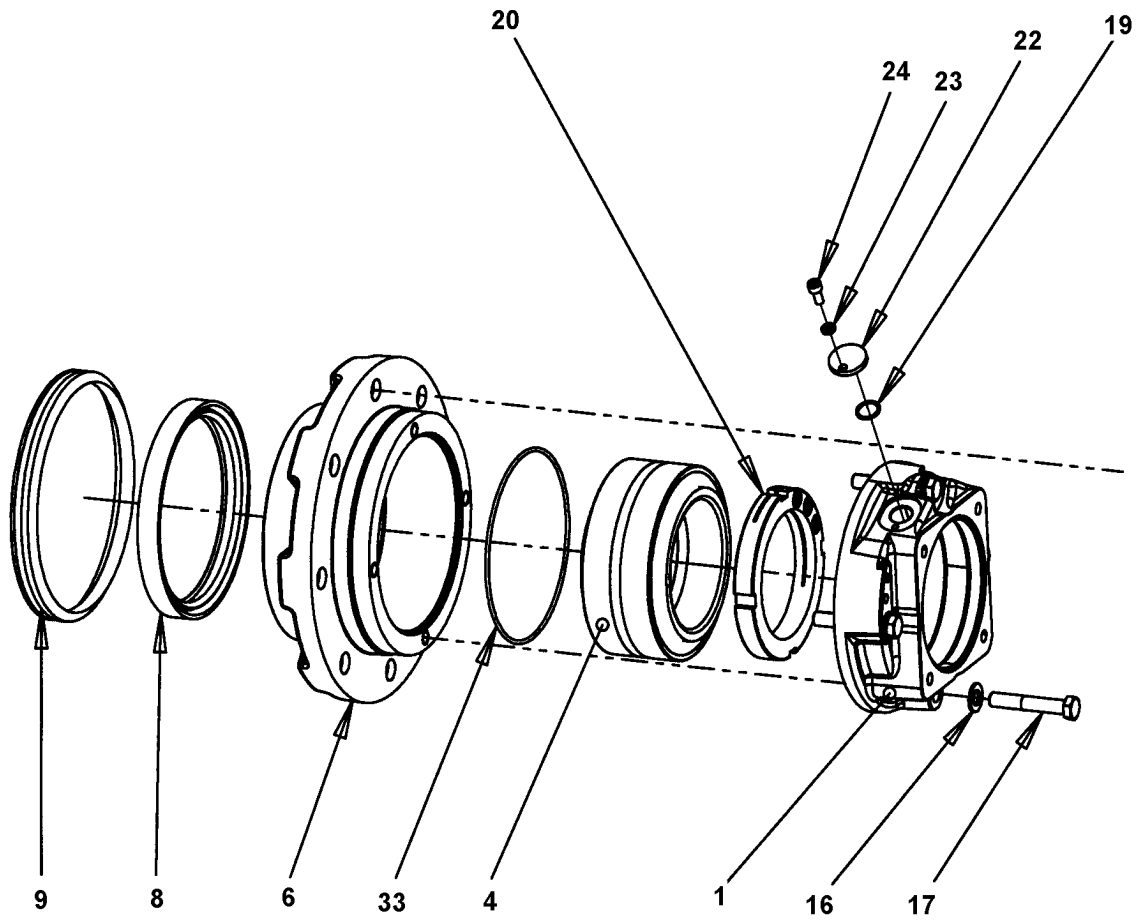


4812112198 Hydraulic motor

Item	Part No	Rem	Qty	Description	Code
58			1	. Metallic plug	
59			16	. Screw	
60			1	. Cover plate	
61			1	. Spring kit	
62			1	. Control plate	
63			1	. Cylinder block	
64			1	. Cam	
65	4812158388		1	. Roller bearing	
66			1	. Bearing support	
67	4812158387		1	. Roller bearing	
68			1	. Motor shaft	
69	4812158389		1	. Housing kit	
70			1	. . Roller bearing kit	
71			1	. . . Snap ring	
72			1	. . . Guide ring	
73			1	. . . Shim	
74		A	2	. . Seal	
75		A	1	. . Seal	
76		A	1	. . Seal	
77		A	1	. . Deflector	
90	4812158394		1	. Seal kit, cpl	

A) Included in seal kit item 90

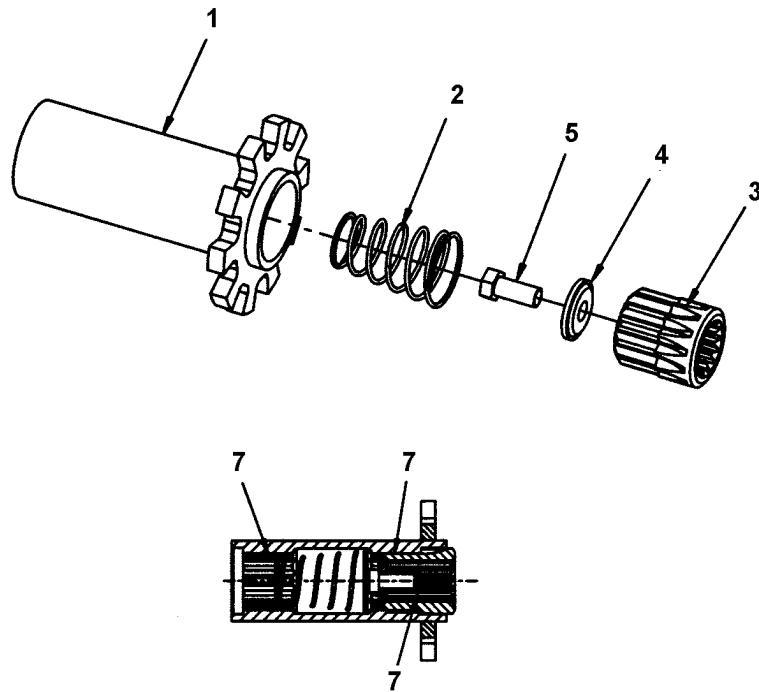
Vibration motor adapter



Vibration motor adapter

Item	Part No	Rem Qty	Description	Code
1	4812116023	1	Adapter	
4	4700116041	1	Taper roller bearing	
6	4700343318	1	Bearing housing	
8	4700167023	1	Seal ring	
9	4700929447	1	V-ring	
16	4700904231	4	Washer 13x24x2 300 HV	
17	4700500133	4	Screw	
19	4812113903	1	O-ring	
20	4812112413	1	Shaft nut	
22	4812113476	1	Plug	
23	4700904228	1	Washer 6,4x12x1,5	
24	4700903795	1	Screw	
33	4700160105	1	O-ring 70	

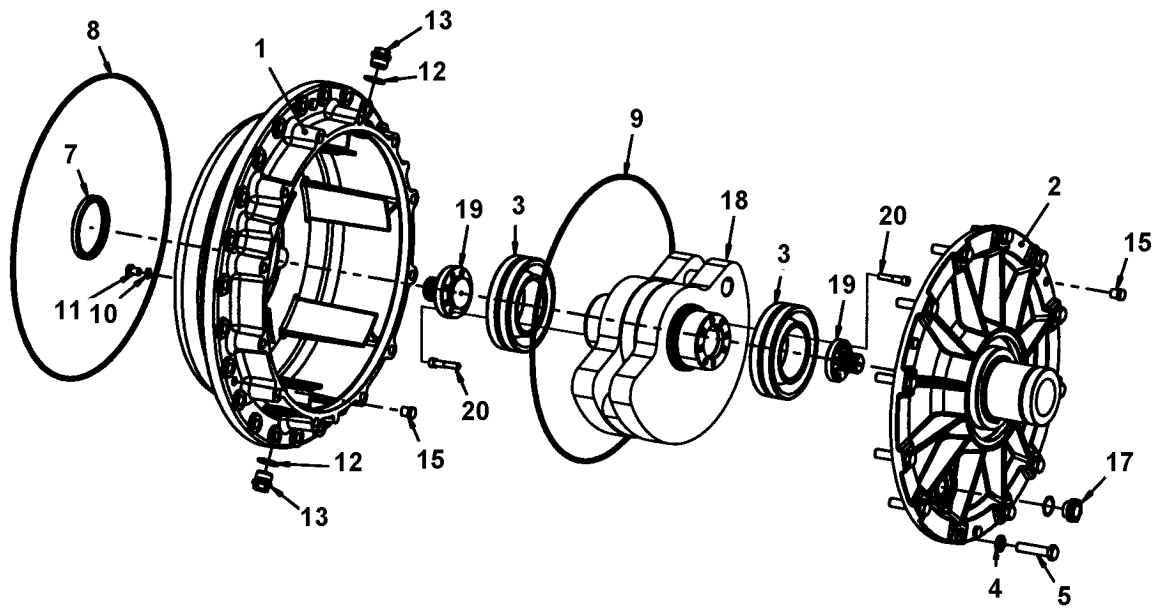
Tooth wheel module



Tooth wheel module

Item	Part No	Rem Qty	Description	Code
1	4812114223	1	Wheel	
2	4700349715	1	Spring	
3	4700340863	1	Splined sleeve	
4	4812113832	1	Washer	
5	4700502053	1	Screw	
7	4812030096	N	Dynapac Roller Grease	

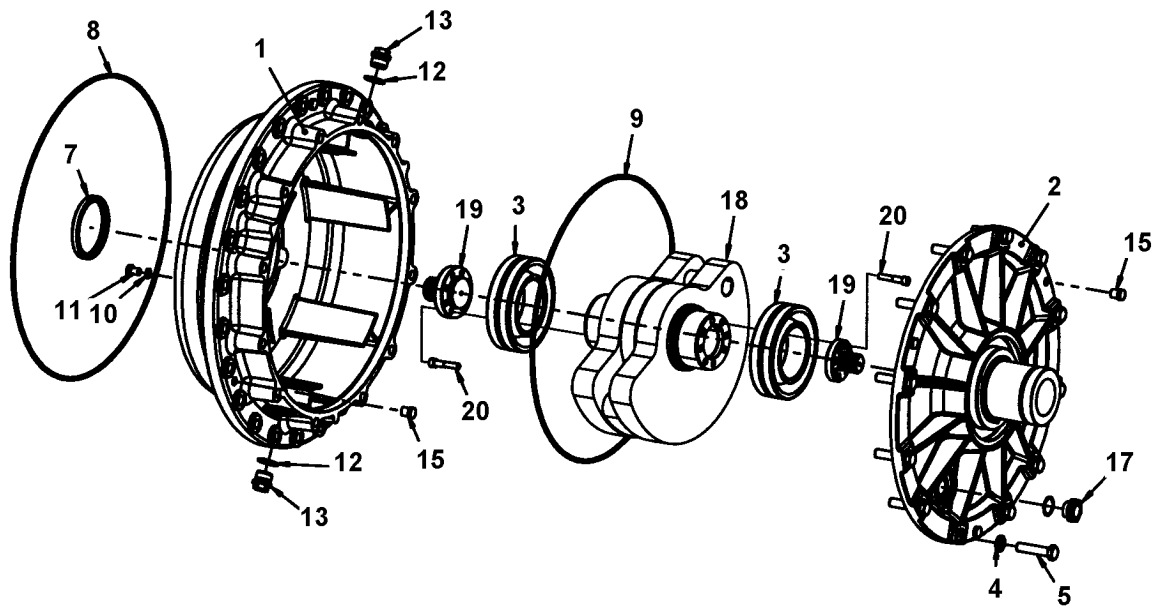
4812158090 Drum cartridge, vibration side (PD version)



## 4812158090 Drum cartridge, vibration side (PD version)

Item	Part No	Rem Qty	Description	Code
1	4812112784	1	Housing	
2	4812112455	1	Bearing housing	
3	4700390896	2	Spherical roller bearing	
4	4700904232	12	Washer	
5	4700500082	12	Screw M16x70 8,8	
7	4700900782	1	Seal ring	
8	4700900776	1	O-ring	
9	4700900776	1	O-ring	
10	4700162027	3	Sealing	
11	4700500163	3	Screw M12x16	
12	4700162017	2	Seal ring	
13	4700343744	1	Magnetic plug	
15	4700900775	6	Plug	
17	4812118814	1	Oil level glass	
18	4812114274	1	Eccentric shaft	
19	4700380018	2	Splined shaft	
20	4700791156	16	Screw M10-1,5x55 12,9	

4812158091 Drum cartridge, vibration side (D version)

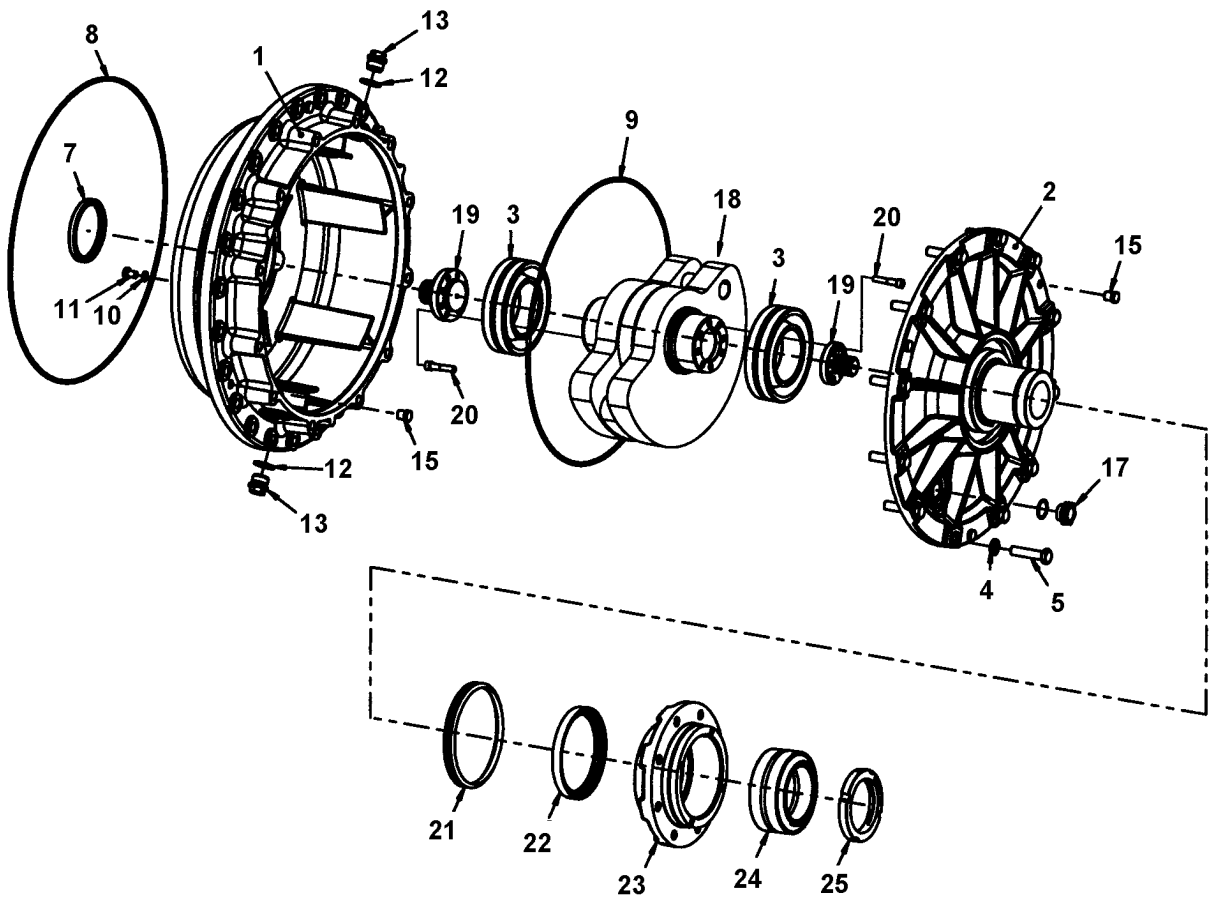




## 4812158091 Drum cartridge, vibration side (D version)

Item	Part No	Rem Qty	Description	Code
1	4812112784	1	Housing	
2	4812112455	1	Bearing housing	
3	4700390896	2	Spherical roller bearing	
4	4700904232	12	Washer	
5	4700500082	12	Screw M16x70 8,8	
7	4700900782	1	Seal ring	
8	4700900776	1	O-ring	
9	4700900776	1	O-ring	
10	4700162027	3	Sealing	
11	4700500163	3	Screw M12x16	
12	4700162017	2	Seal ring	
13	4700343744	1	Magnetic plug	
15	4700900775	6	Plug	
17	4812118814	1	Oil level glass	
18	4812112747	1	Eccentric shaft	
19	4700380018	2	Splined shaft	
20	4700791156	16	Screw M10-1,5x55 12,9	

4812158095 Drum cartridge with shaft nut, vibration side (PD version)



## 4812158095 Drum cartridge with shaft nut, vibration side (PD version)

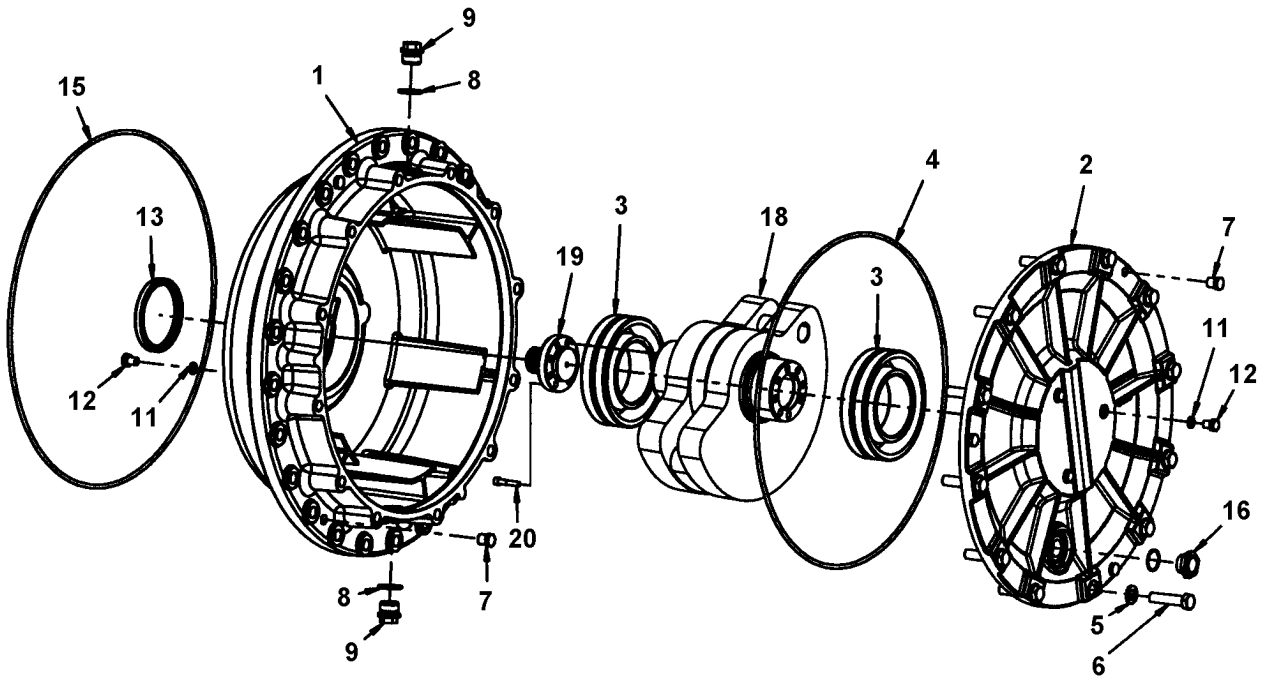
Item	Part No	Rem Qty	Description	Code
1	4812112784	1	Housing	
2	4812112455	1	Bearing housing	
3	4700390896	2	Spherical roller bearing	
4	4700904232	12	Washer	
5	4700500082	12	Screw M16x70 8,8	
7	4700900782	1	Seal ring	
8	4700900776	1	O-ring	
9	4700900776	1	O-ring	
10	4700162027	3	Sealing	
11	4700500163	3	Screw M12x16	
12	4700162017	2	Seal ring	
13	4700343744	1	Magnetic plug	
15	4700900775	6	Plug	
17	4812118814	1	Oil level glass	
18	4812114274	1	Eccentric shaft	
19	4700380018	2	Splined shaft	
20	4700791156	16	Screw M10-1,5x55 12,9	
21	4700929447	1	V-ring	
22	4700167023	1	Seal ring	
23	4700343318	1	Bearing housing	
24	4700116041	1	Taper roller bearing	
25	4812112413	1	Shaft nut	



## 4812158096 Drum cartridge with shaft nut, vibration side (D version)

Item	Part No	Rem Qty	Description	Code
1	4812112784	1	Housing	
2	4812112455	1	Bearing housing	
3	4700390896	2	Spherical roller bearing	
4	4700904232	12	Washer	
5	4700500082	12	Screw M16x70 8,8	
7	4700900782	1	Seal ring	
8	4700900776	1	O-ring	
9	4700900776	1	O-ring	
10	4700162027	3	Sealing	
11	4700500163	3	Screw M12x16	
12	4700162017	2	Seal ring	
13	4700343744	1	Magnetic plug	
15	4700900775	6	Plug	
17	4812118814	1	Oil level glass	
18	4812112747	1	Eccentric shaft	
19	4700380018	2	Splined shaft	
20	4700791156	16	Screw M10-1,5x55 12,9	
21	4700929447	1	V-ring	
22	4700167023	1	Seal ring	
23	4700343318	1	Bearing housing	
24	4700116041	1	Taper roller bearing	
25	4812112413	1	Shaft nut	

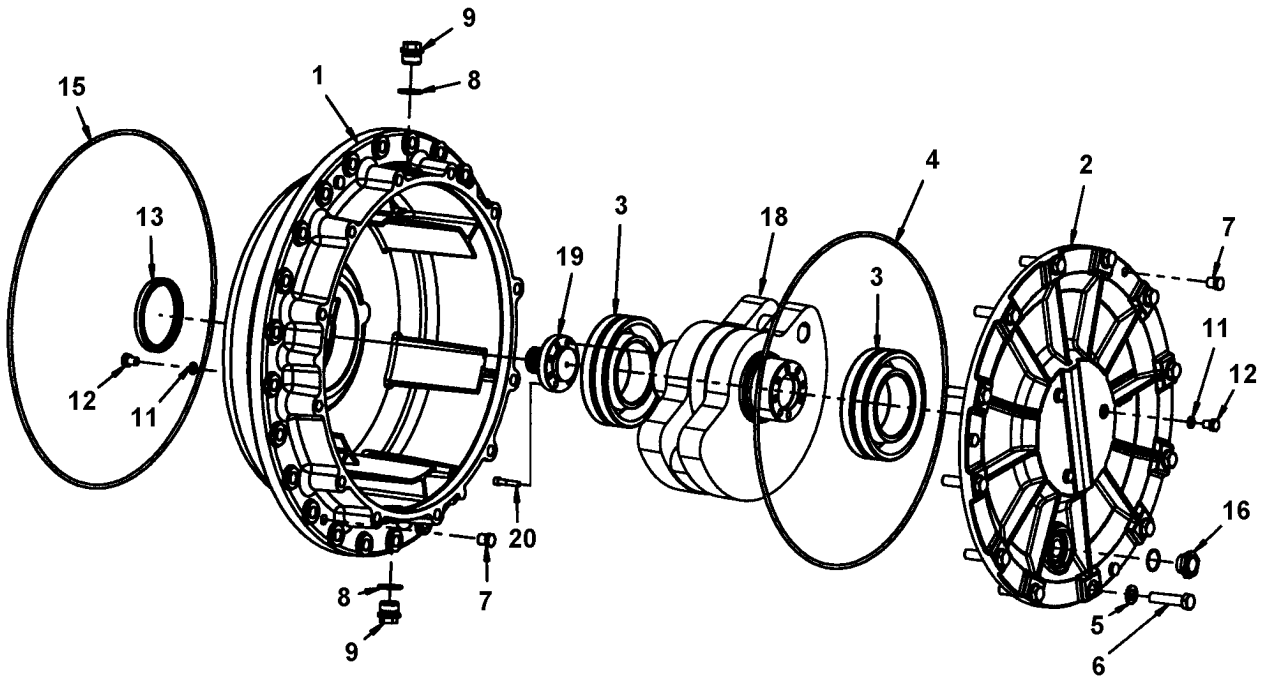
4812158085 Drum cartridge, drive side (PD version)



## 4812158085 Drum cartridge, drive side (PD version)

Item	Part No	Rem Qty	Description	Code
1	4812112784	1	Housing	
2	4812111122	1	Bearing housing	
3	4700390896	2	Spherical roller bearing	
4	4700900776	1	O-ring	
5	4700904232	12	Washer	
6	4700500082	12	Screw M16x70 8,8	
7	4700900775	6	Plug	
8	4700162017	2	Seal ring	
9	4700343744	2	Magnetic plug	
11	4700162027	6	Sealing	
12	4700500163	6	Screw M12x16	
13	4700900782	1	Seal ring	
15	4700900776	1	O-ring	
16	4812118814	1	Oil level glass	
18	4812114274	1	Eccentric shaft	
19	4700380018	1	Splined shaft	
20	4700791156	8	Screw M10-1,5x55 12,9	

4812158086 Drum cartridge, drive side (D version)

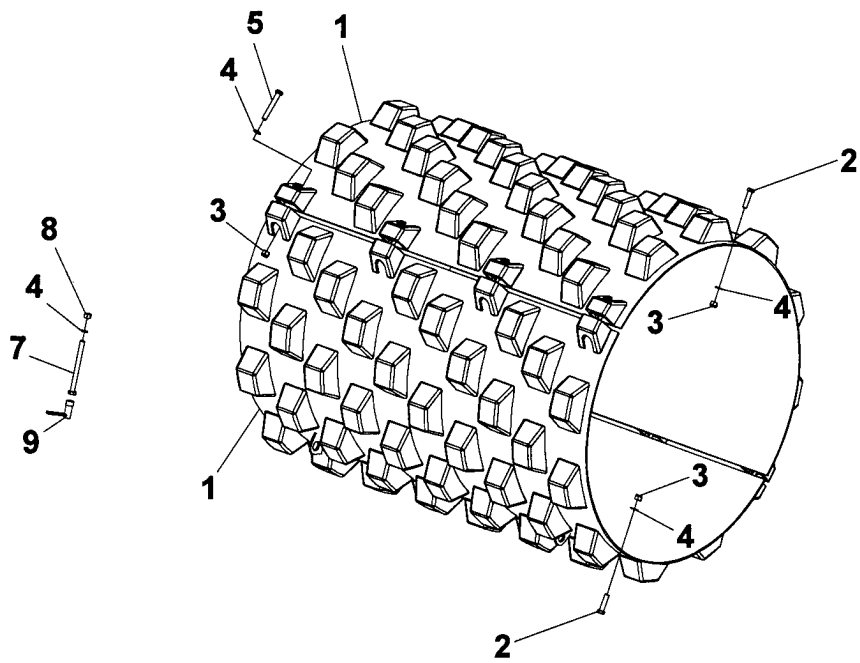




## 4812158086 Drum cartridge, drive side (D version)

Item	Part No	Rem Qty	Description	Code
1	4812112784	1	Housing	
2	4812111122	1	Bearing housing	
3	4700390896	2	Spherical roller bearing	
4	4700900776	1	O-ring	
5	4700904232	12	Washer	
6	4700500082	12	Screw M16x70 8,8	
7	4700900775	6	Plug	
8	4700162017	2	Seal ring	
9	4700343744	2	Magnetic plug	
11	4700162027	6	Sealing	
12	4700500163	6	Screw M12x16	
13	4700900782	1	Seal ring	
15	4700900776	1	O-ring	
16	4812118814	1	Oil level glass	
18	4812112747	1	Eccentric shaft	
19	4700380018	1	Splined shaft	
20	4700791156	8	Screw M10-1,5x55 12,9	

Pad shell, option



## Pad shell, option

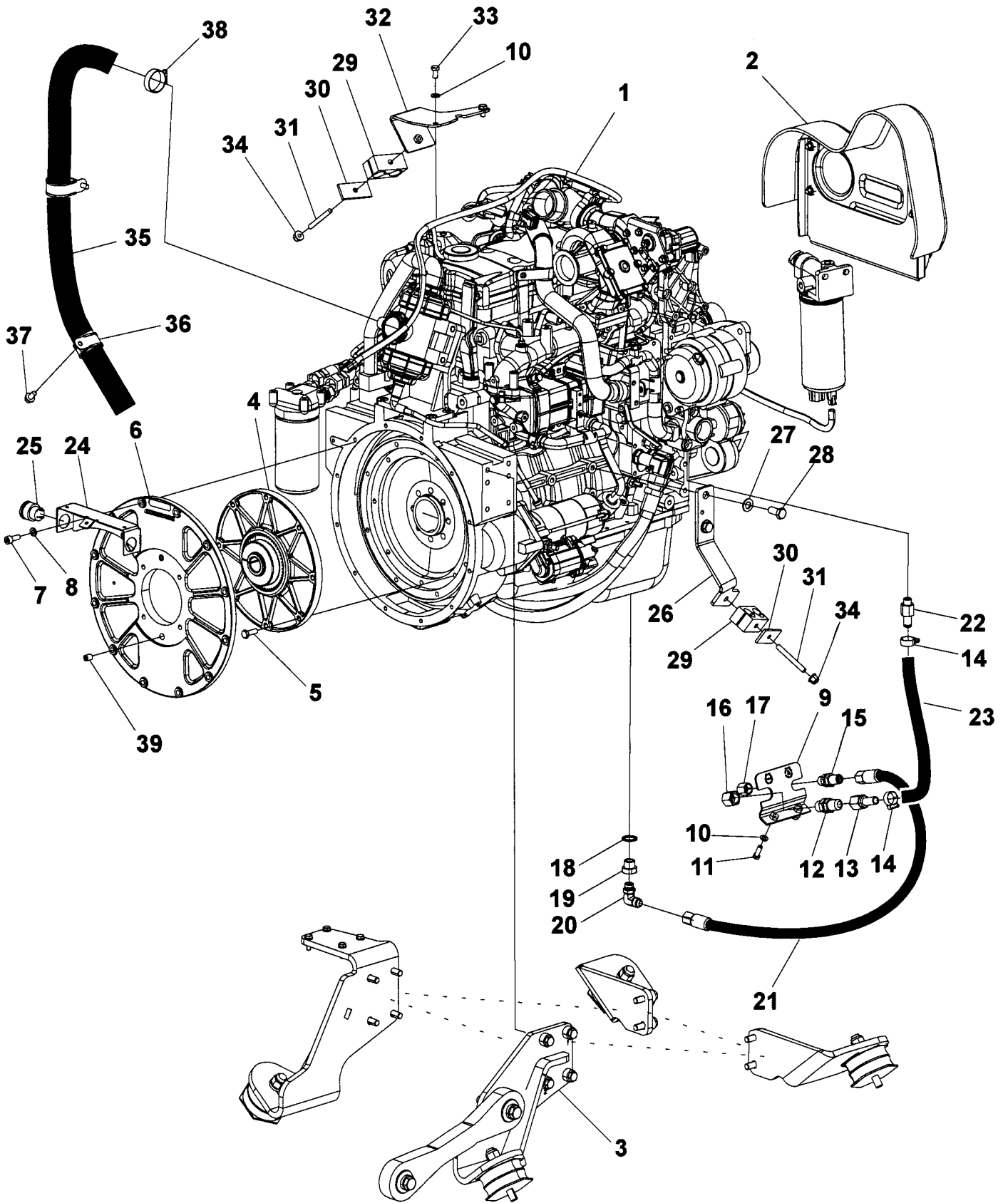
Item	Part No	Rem Qty	Description	Code
1	4812114382	2	Pad shell	
2	4700500207	4	Hexagon head screw	
3	4700586022	12	Lock nut M20-8	
4	4700904233	12	Washer 21x36x3	
5	4700500286	8	Screw M20-2,5x140 8.8	
7	4700382572	4	Mounting screw	
8	4700570015	4	Nut M20	
9	4700382571	1	Hexagon sleeve	

## Engine

**Engine**

<b>Item</b>	<b>Part No</b>	<b>Rem Qty</b>	<b>Description</b>	<b>Code</b>
1		1	Engine ( Page 112 )	
2		1	Cooling system ( Page 120 )	
3		1	Air cleaner ( Page 126 )	
4		1	Fuel system ( Page 130 )	
5		1	Exhaust system ( Page 142 )	
6		1	Expansion tank assembly ( Page 144 )	

Engine

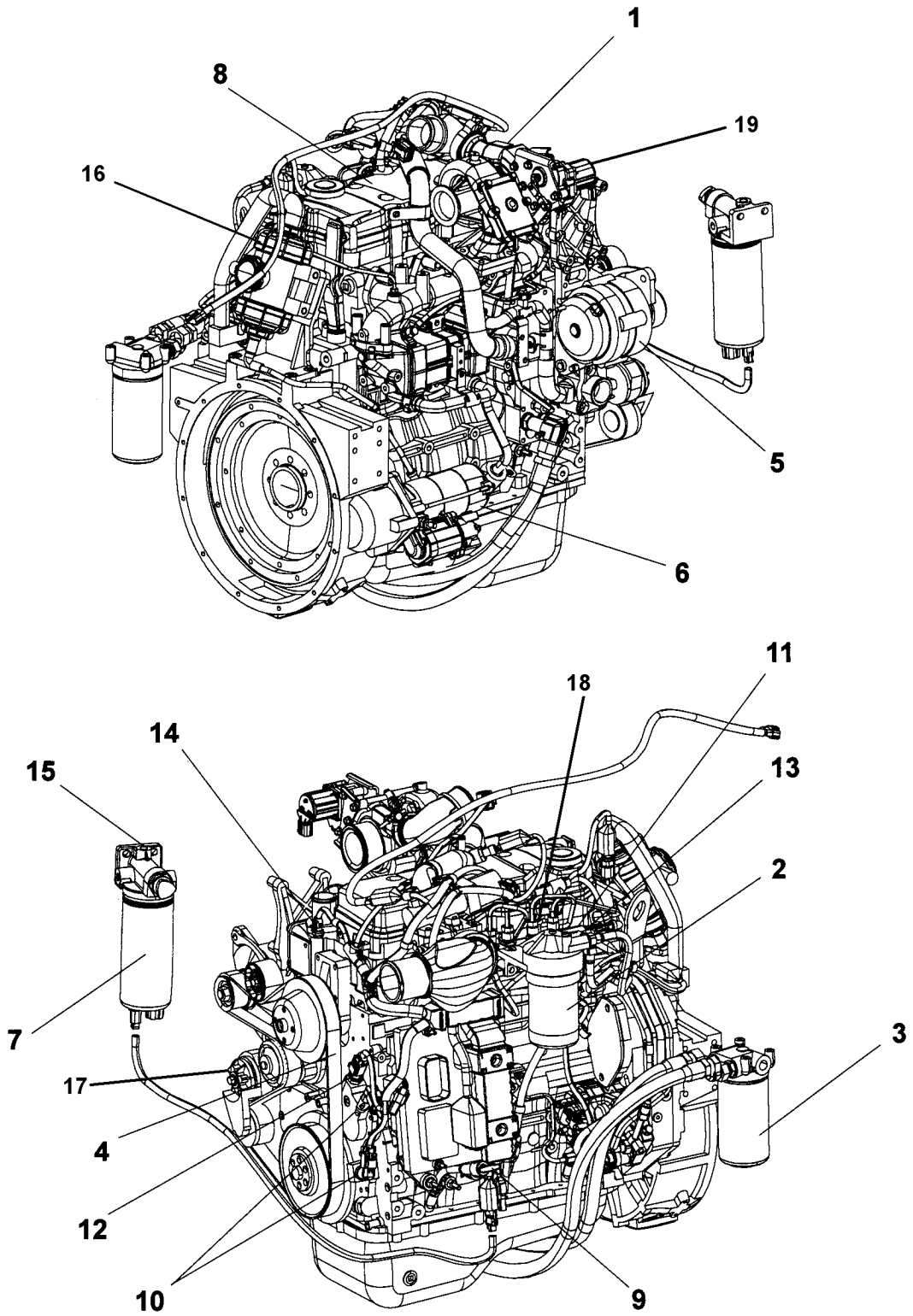


## Engine

Item	Part No	Rem Qty	Description	Code
1		1	<b>Diesel engine ( Page 114 )</b>	
2		1	<b>Belt guard module ( Page 116 )</b>	
3		1	<b>Bracket module ( Page 118 )</b>	
4	4812112015	1	Coupling	
5	4700502036	8	Screw 3/8"-16UNCx11/4"8.8	
6	4812118847	1	Bracket	
7	4700508053	12	Hexagon socket head cap screw	
8	4700904637	12	Washer	
9	4812118245	1	Bracket	
10	4700904229	4	Steel plain washer 8,4x16x1,5	
11	4700500021	2	Screw M8-1,25x25 8.8	
12	4700230516	1	Adapter	
13	4700792502	1	Hose connection	
14	4700313004	2	Hose clamp 19-29mm	
15	4700230515	1	Connector	
16	4700230384	1	Cap	
17	4700330383	1	Cap hydraulic	
18	4811000151	1	Washer sealing	
19	4700379480	1	Reducer	
20	4700791431	1	Elbow 90, O-ring	
21	4811000150	1	Hydraulic hose	
22	4700391303	1	Hose connection	
23	4700205112	A 1XL	Coolant hose	
24	4812112355	1	Holder	
25	4700395816	1	Plug socket 24V	
26	4812115857	1	Hose holder	
27	4700904231	2	Washer 13x24x2 300 HV	
28	4700500051	2	Screw M12x25H 8.8 A3K	
29	4700287295	2	Clamp	
30	4700287294	2	Cover plate	
31	4700532032	2	Stud	
32	4812115858	1	Hose holder	
33	4700500019	2	Screw M8x16H 8.8 A2K	
34	4700902286	2	Hexagon lock nut with flange	
35	4812118198	1	Hydraulic hose	
36	4700283711	2	Hose clamp	
37	4700901832	2	Screw M08x16 8,8	
38	4700313007	1	Hose clamp	
39	4700516025	2	Set screw	

A) L = 0.6m

Diesel engine

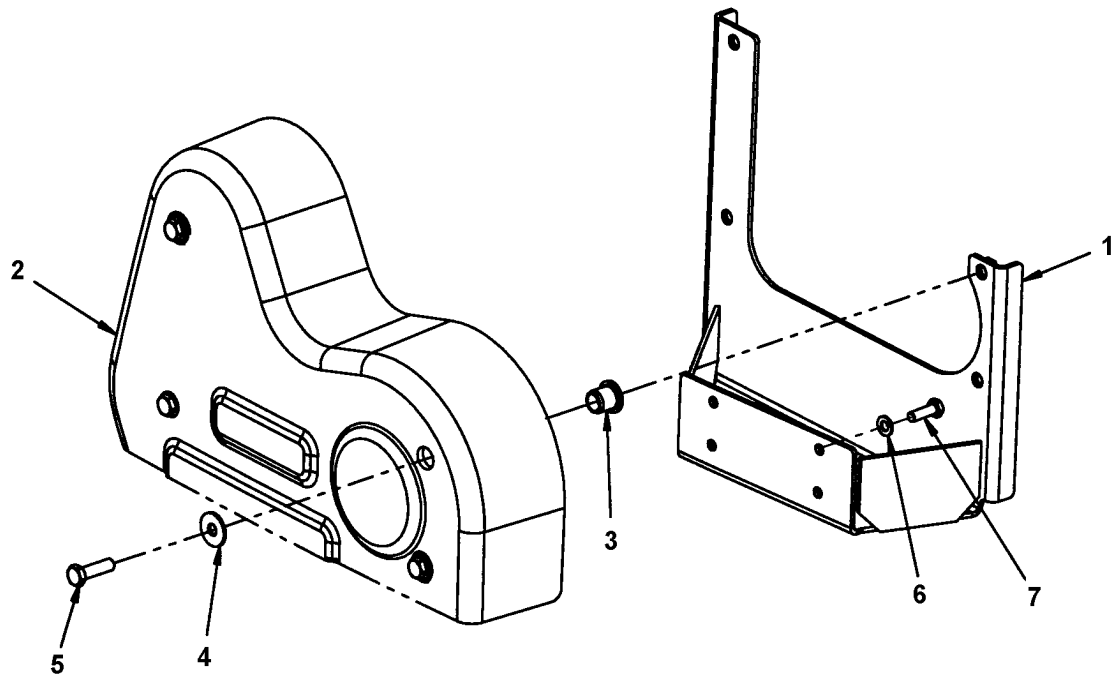




## Diesel engine

Item	Part No	Rem Qty	Description	Code
1	4812113483	1	Diesel engine Cummins QSB4.5 119kW - 3B	
	4812113484	1	Diesel engine Cummins QSB4.5 97kW - 3B	
	4812113485	1	Diesel engine Cummins QSB4.5 82kW - 3B	
2	4812158187	1	. Fuel filter	
3	4700939082	1	. Oil filter element	
4	4812034895	1	. V-belt	
5	4812040815	1	. Alternator	
6	4812041536	1	. Starter	
7	4812041531	1	. Pre-fuel filter element	
8	4700945760	1	. Valve cover gasket	
9	4812158189	1	. Dipstick	
10	4812158064	2	. Sensor, Position	
11	4700950140	1	. Pressure sensor	
12	4700940533	1	. Oil pressure switch	
13	4812158065	1	. Sensor, Prs temperature	
14	4700945887	1	. Sensor, Water temp	
15	4812158195	1	. Fuel filter head	
16	4812158465	1	. Crankcase ventilation filter	
17	4700950313	1	. Water pump	
18	4812159164	4	. Injector	
19	4812159166	1	. Turbo charger, cpl	

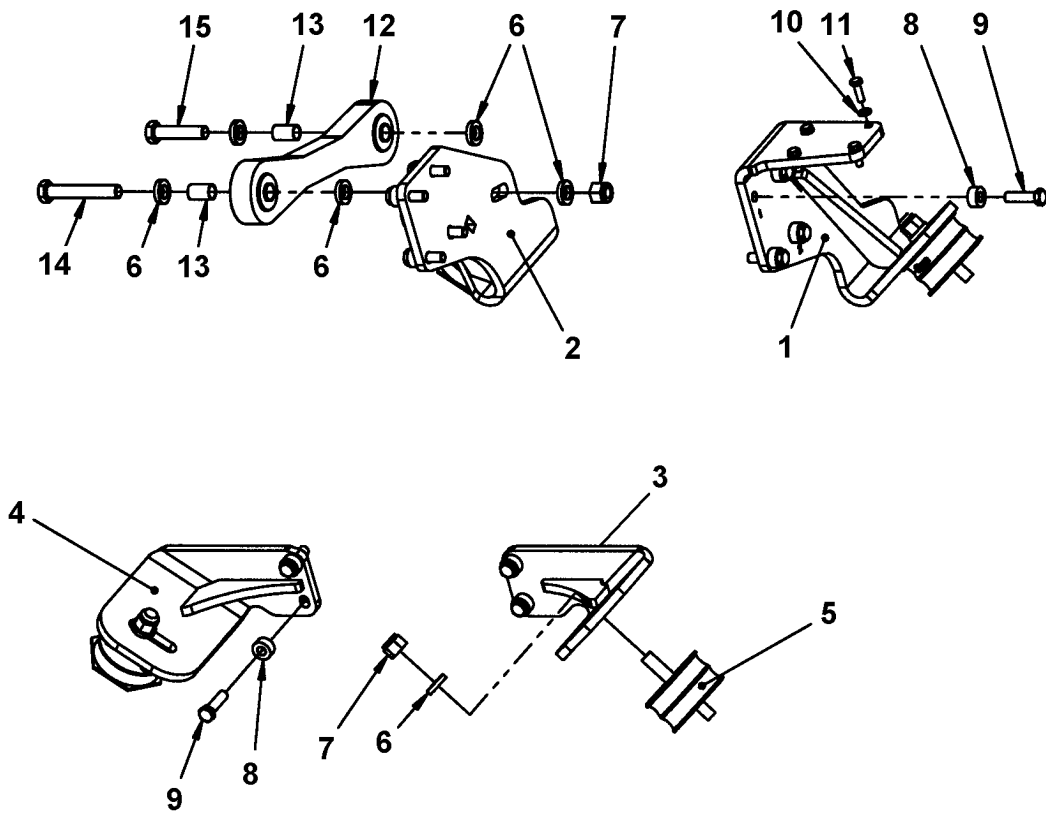
Belt guard module



**Belt guard module**

<b>Item</b>	<b>Part No</b>	<b>Rem Qty</b>	<b>Description</b>	<b>Code</b>
1	4812117166	1	Bracket	
2	4812117165	1	Belt guard	
3	4812118203	4	Shock absorber	
4	4700928441	4	Washer	
5	4700500030	4	Screw M10x035H 8.8 A3K	
6	4700904229	4	Steel plain washer 8,4x16x1,5	
7	4700500021	4	Screw M8-1,25x25 8.8	

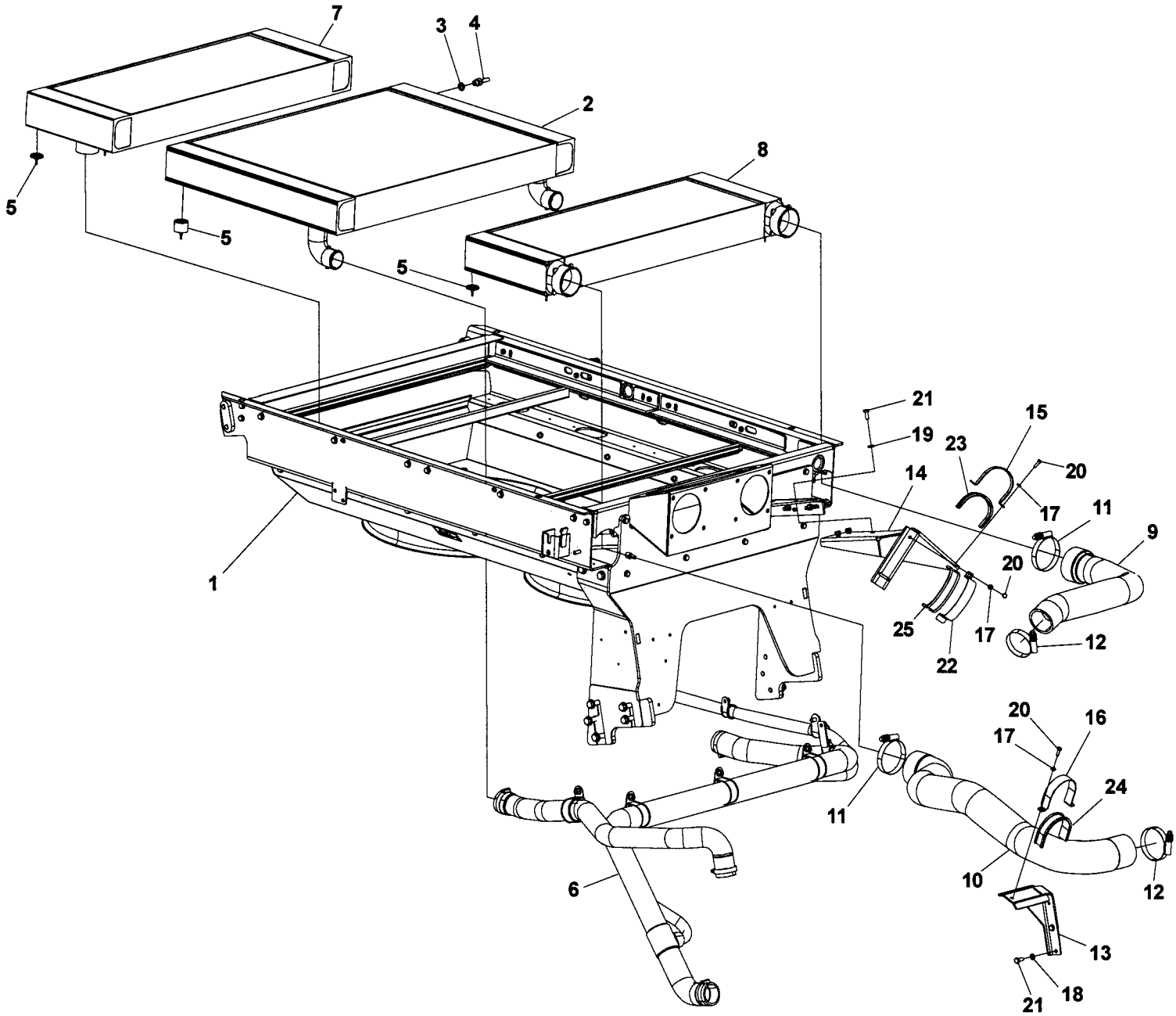
Bracket module



## Bracket module

Item	Part No	Rem Qty	Description	Code
1	4812114230	1	Bracket	
2	4812118338	1	Bracket	
3	4812114232	1	Bracket	
4	4812114233	1	Bracket	
5	4812114396	4	Shock absorber	
6	4700904558	9	Washer 17X30X6 300HV	
7	4700586021	5	Nut M16	
8	4700359989	12	Spacer sleeve	
9	4700500056	12	Screw	
10	4700904229	4	Steel plain washer 8,4x16x1,5	
11	4700500022	4	Screw M8x30H 8.8	
12	4812118287	1	Strut	
13	4812118432	2	Spacer sleeve	
14	4700500107	1	Screw M16x100	
15	4700500082	1	Screw M16x70 8,8	

Cooling system



## Cooling system

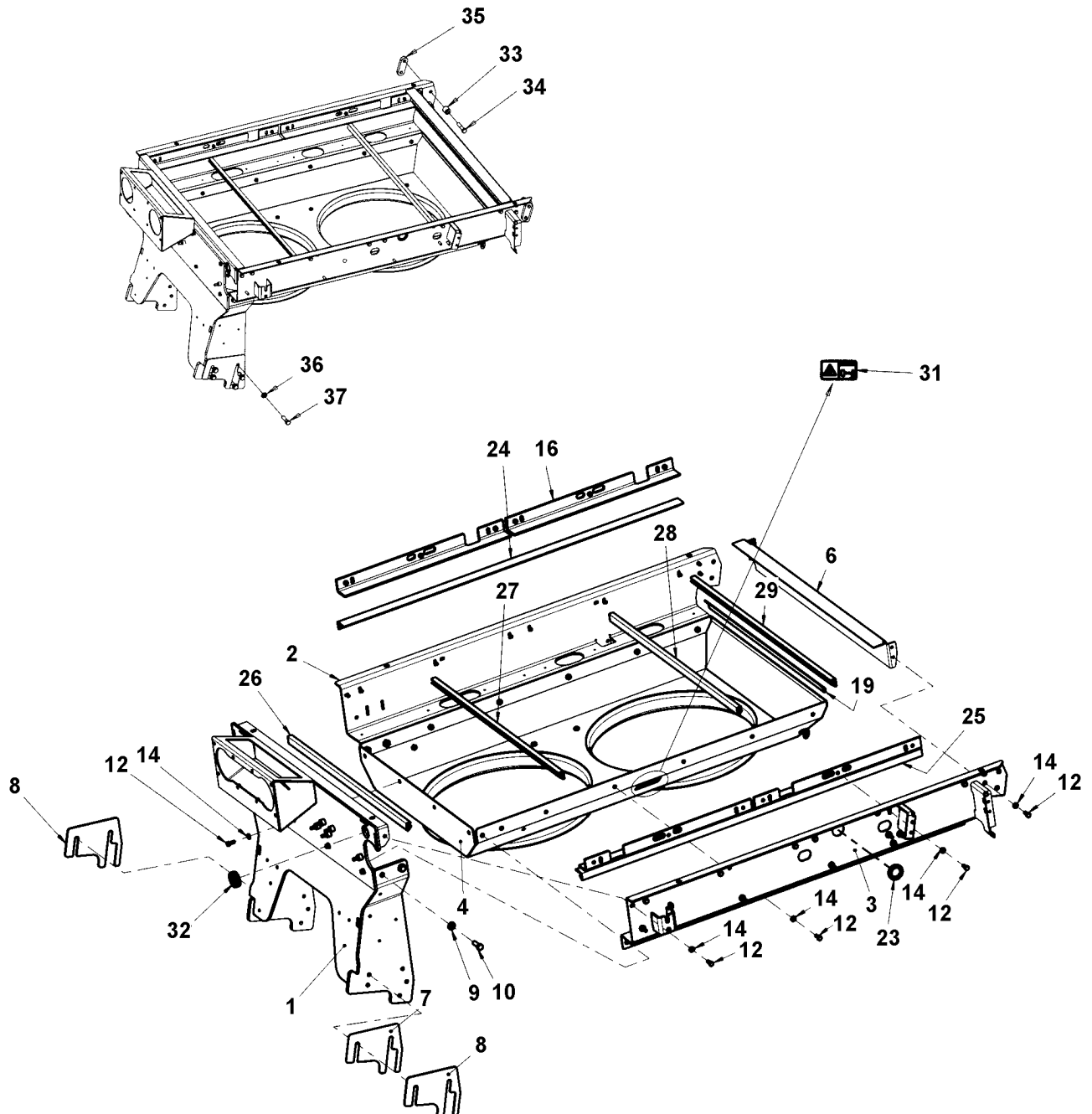
Item	Part No	Rem	Qty	Description	Code
1			1	<b>Cooler stand module ( Page 122 )</b>	
2	4812114284		1	Water cooler	
3	4700162004		1	Sealing	
4	4700792322		1	Hose connection	
5	4812114280		14	Shock absorber	
6			1	<b>Hose assy kit ( Page 124 )</b>	
7	4812110772		1	Hydraulic oil cooler	
8	4812110770		1	Charge air cooler	
9	4812115547		1	Charge air hose	
10	4812115548		1	Charge air hose	
11	4700392810		2	Hose clamp	
12	4700386966		2	Hose clamp 2.3/4"-3.5/8"	
13	4812115544		1	Bracket	
14	4812115549		1	Bracket	
15	4812118127		1	Clamp	
16	4812118128		1	Clamp	
17	4700603010		3	Washer 6,4X12X3	
18	4700904229		2	Steel plain washer 8,4x16x1,5	
19	4700904556		3	Washer 8,4x16x3,0	
20	4700500040		3	Screw M6-1x20 8,8	
21	4700500053		5	Screw M8x20H 8.8	
22	4812117742		1	Clamp	
23	4812117602	A	1XL	Rubber strip	
24	4812117602	B	1XL	Rubber strip	
25	4812117602	C	1XL	Rubber strip	

A) L = 0.18m

B) L = 0.21m

C) L = 0.27m

Cooler stand module



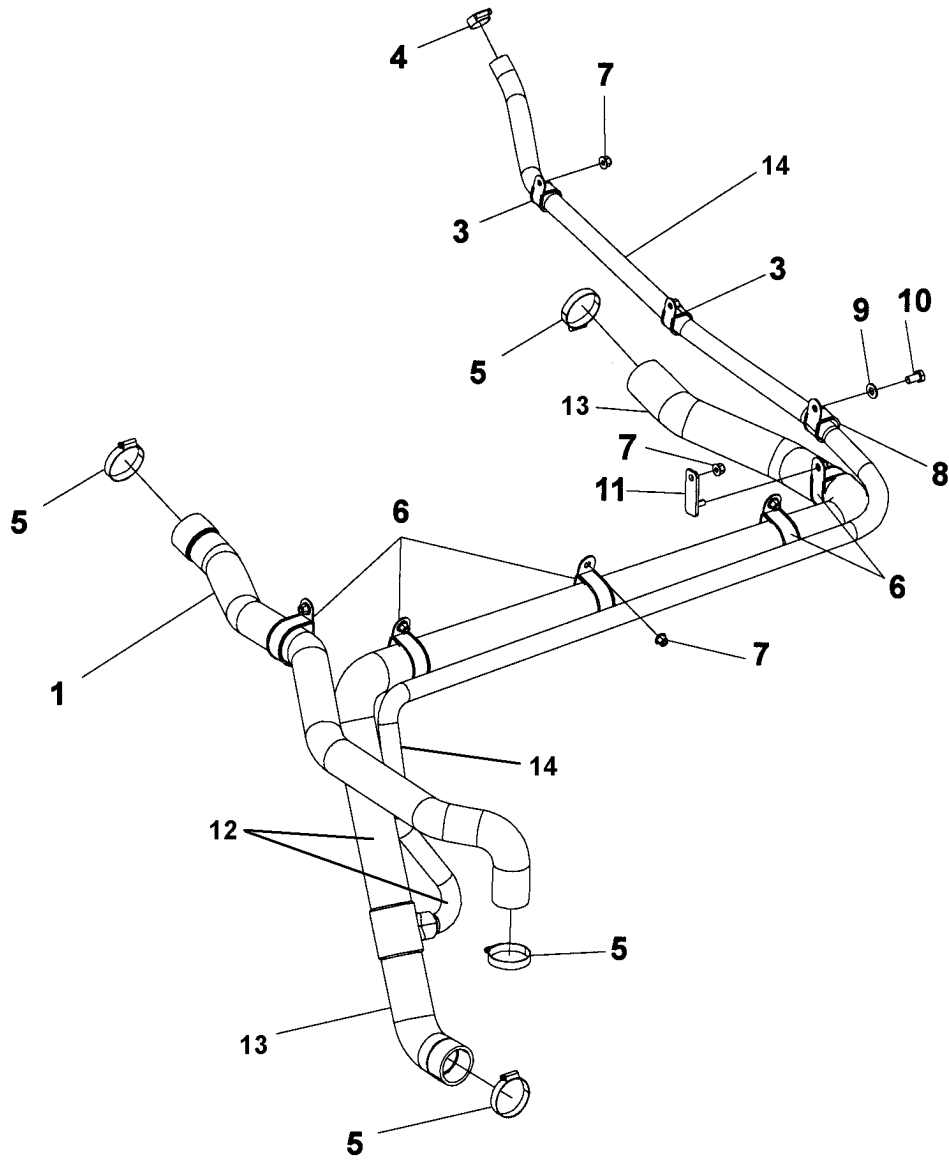


**Cooler stand module**

<b>Item</b>	<b>Part No</b>	<b>Rem</b>	<b>Qty</b>	<b>Description</b>	<b>Code</b>
1	4812118494		1	Cooler stand	
2	4812110768		1	Bracket	
3	4812110769		1	Bracket	
4	4812110843		1	Fan casing	
6	4812111264		1	Cover plate	
7	4812113878	N		Shim	
8	4812113879	N		Shim	
9	4700904231		4	Washer 13x24x2 300 HV	
10	4700500037		4	Screw	
12	4700500053		32	Screw M8x20H 8.8	
14	4700904556		32	Washer 8,4x16x3,0	
16	4700392075		4	Bracket	
19	4700791460	A	1XL	Edge strip	
23	4812114465		1	Grommet with membrane	
24	4812113708	B	1XL	Rubber strip	
25	4812113708	B	1XL	Rubber strip	
26	4700391299	C	1XL	Rubber strip	
27	4700391299	D	1XL	Rubber strip	
28	4700391299	D	1XL	Rubber strip	
29	4700391299	D	1XL	Rubber strip	
31	4700903423		2	Decal "SAFETY"	
32	4812119127		1	Grommet with membrane	
33	4700383024		4	Spacer sleeve	
34	4700925519		4	Screw M12x55 10.9 GEOMET	
35	4812110930		2	Nut-plate	
36	4700904231		10	Washer 13x24x2 300 HV	
37	4700947690		10	Screw	

- A) L = 0.77m
- B) L = 1.24m
- C) L = 0.785m
- D) L = 0.85m

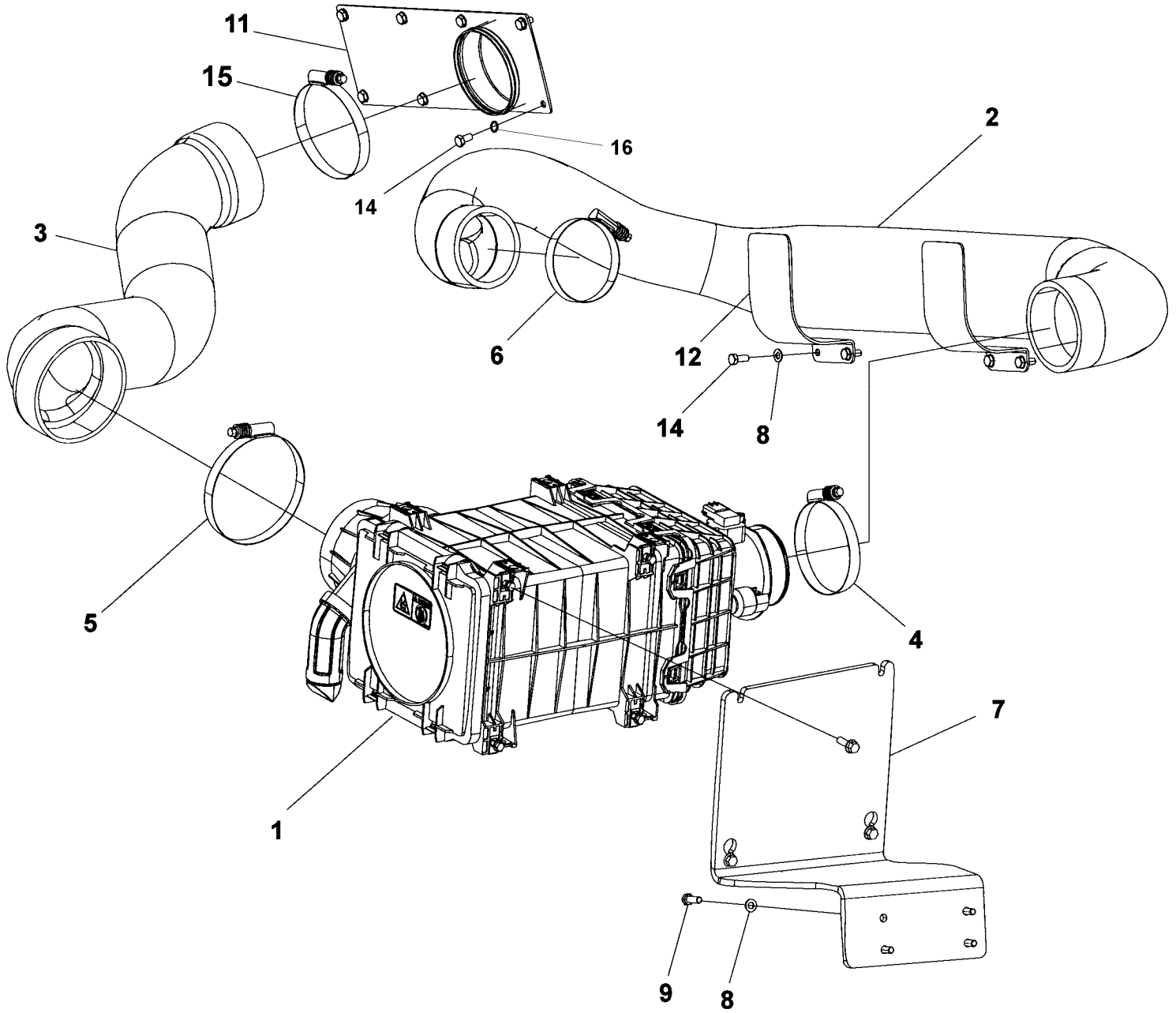
Hose assy kit



**Hose assy kit**

<b>Item</b>	<b>Part No</b>	<b>Rem Qty</b>	<b>Description</b>	<b>Code</b>
1	4812115539	1	Coolant hose	
3	4700921050	2	Clamp	
4	4700313004	1	Hose clamp 19-29mm	
5	4700313010	4	Hose clamp	
6	4700903703	5	Hose clamp	
7	4700902286	8	Hexagon lock nut with flange	
8	4700923008	1	Clamp	
9	4700904230	1	Steel plain washer	
10	4700500048	1	Screw M10-1,5x20 8,8	
11	4812116107	1	Holder	
12	4812114149	1	Cooler hoses	
13	4812113195	1	. Cooler hose	
14	4812114150	1	. Cooler hose	

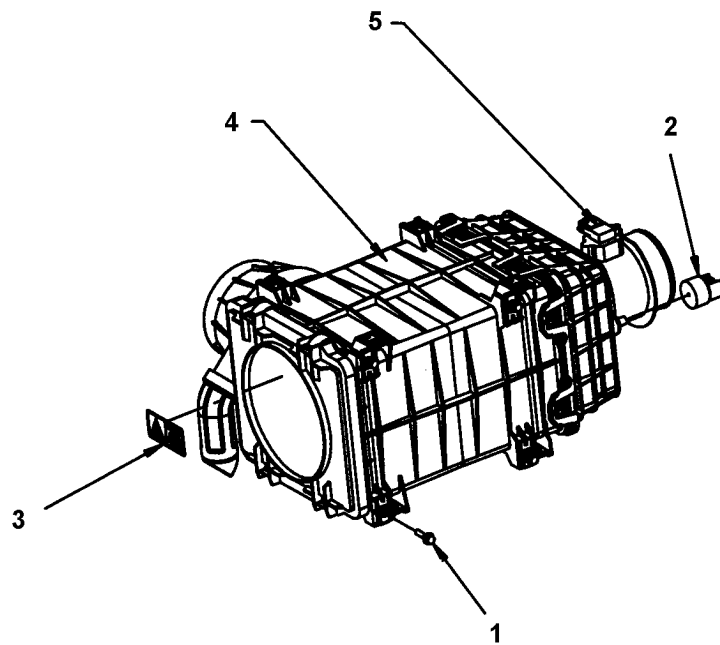
Air cleaner



**Air cleaner**

<b>Item</b>	<b>Part No</b>	<b>Rem Qty</b>	<b>Description</b>	<b>Code</b>
1		1	<b>Air cleaner module ( Page 128 )</b>	
2	4812115487	1	Air intake hose	
3	4812115488	1	Air intake hose	
4	4700389600	1	Hose clamp	
5	4700379214	1	Clamp	
6	4700378712	1	Clamp	
7	4812115481	1	Bracket	
8	4700904229	8	Steel plain washer 8,4x16x1,5	
9	4700500021	4	Screw M8-1,25x25 8.8	
11	4812113573	1	Air intake duct	
12	4812118179	2	Hose holder	
14	4700500053	12	Screw M8x20H 8.8	
15	4812118433	1	Hose clamp	
16	4700904556	8	Washer 8,4x16x3,0	

**Air cleaner module**



**Air cleaner module**

<b>Item</b>	<b>Part No</b>	<b>Rem Qty</b>	<b>Description</b>	<b>Code</b>
1	4700500502	4	Hexagon screw with flange M6 -25	
2	4700929023	1	Indicator	
3	4700791642	1	Decal "WARNING" Use of starting fluid prohib.	
4	4812117000	1	Air cleaner Cpl	
	4812158190	1	. Air filter element, main	
	4812158191	1	. Air filter element, safety	
5	4812158192	1	. Sensor, air filter	

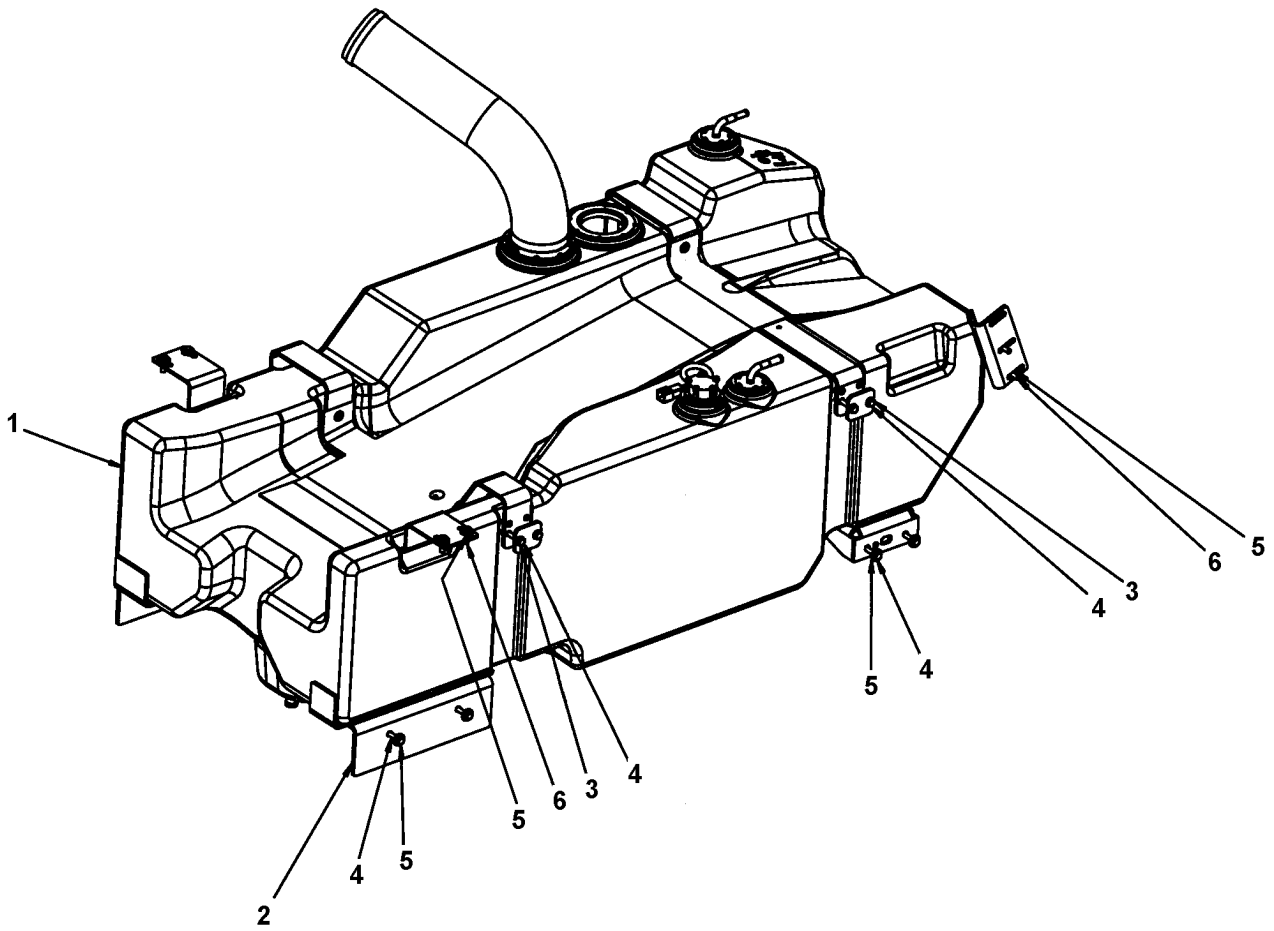




## Fuel system

Item	Part No	Rem Qty	Description	Code
1		1	<b>Fuel tank module ( Page 132 )</b>	
3		1	<b>Fuel hoses ( Page 138 )</b>	
5	4700380436	1	Fuel cap	
6	4700904556	3	Washer 8,4x16x3,0	
17	4812114212	1	Bracket	
18	4812115902	1	Bracket	
19	4700603001	2	Washer	
20	4700508025	2	Screw M6x20	
21	4812115580	1	Holder	
22	4700904229	2	Steel plain washer 8,4x16x1,5	
23	4700500029	2	Hexagon head screw	
25		1	<b>Draining module, option ( Page 140 )</b>	
26	4812120376	1	Bracket	
27	4700500021	3	Screw M8-1,25x25 8.8	

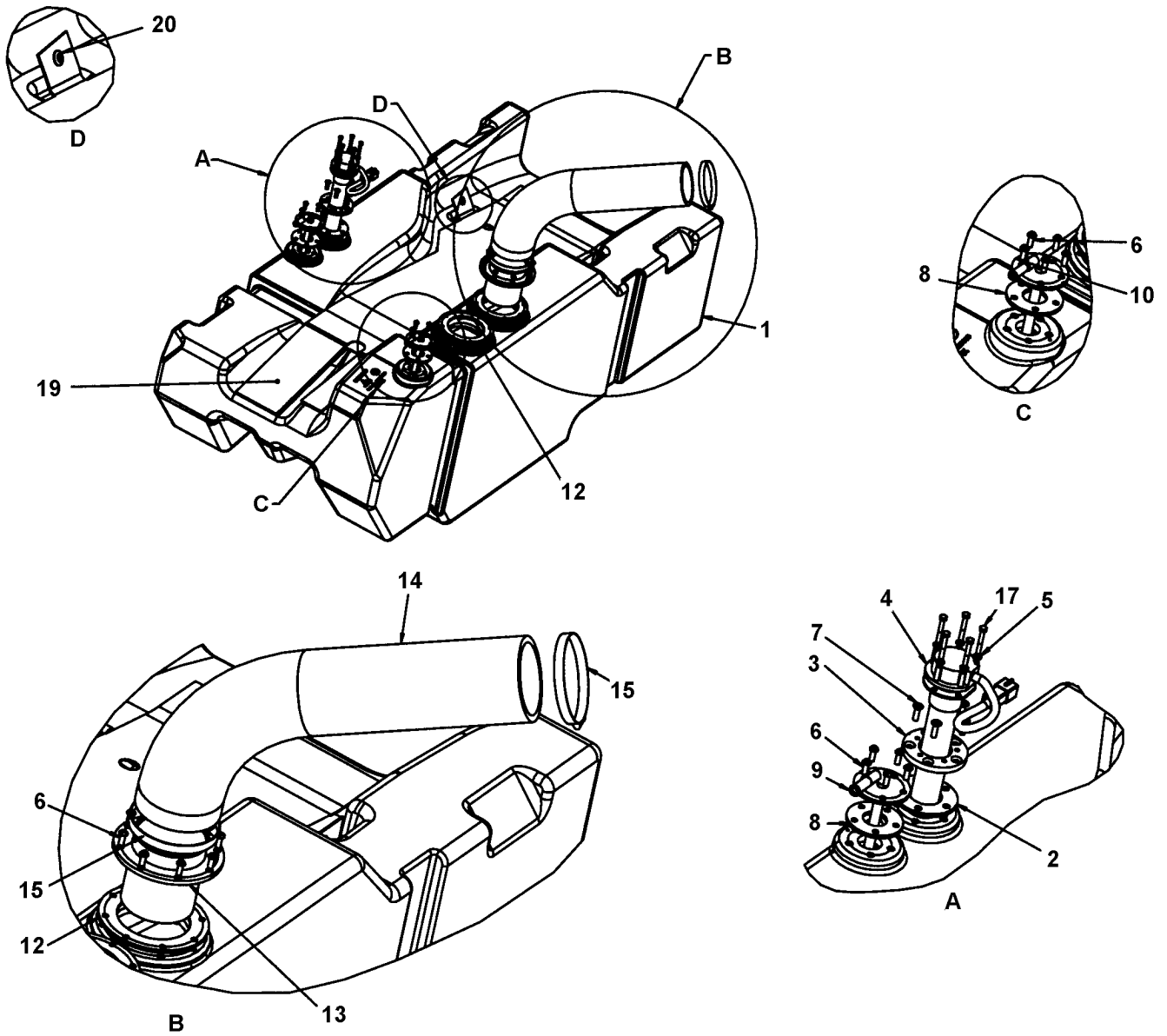
Fuel tank module



Fuel tank module

Item	Part No	Rem Qty	Description	Code
1		1	Fuel tank ( Page 134 )	
2		1	Brackets assy ( Page 136 )	
3	4700904229	8	Steel plain washer 8,4x16x1,5	
4	4700500024	16	Screw M8x45	
5	4700904640	16	Washer 8,4x22x3	
6	4700500021	8	Screw M8-1,25x25 8.8	

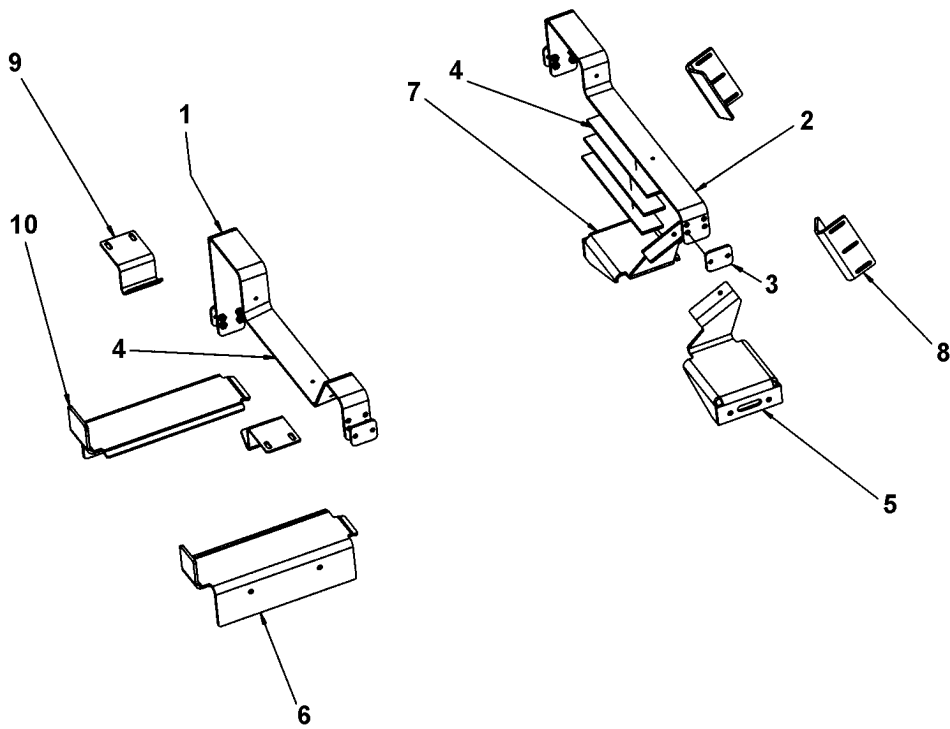
Fuel tank



**Fuel tank**

<b>Item</b>	<b>Part No</b>	<b>Rem Qty</b>	<b>Description</b>	<b>Code</b>
1	4812118626	1	Fuel tank	
2	4812114949	1	Gasket	
3	4812114813	1	Adapter	
4	4812114935	1	Level sensor	
5	4700904281	5	Washer 5,3x10x1 300HV	
6	4700904206	18	Screw	
7	4700513012	5	Screw M6x20 10,9	
8	4812116834	2	Gasket	
9	4812118275	1	Fuel pipe	
10	4812116836	1	Fuel pipe	
12	4812112655	2	Flange gasket	
13	4812112656	1	Flange connection	
14	4812118670	1	Fuel hose	
15	4700313033	2	Hose clamp	
17	4700500009	5	Hexagon head screw	
19	4812112729	1	Rubber cloth	
20	4700395785	3	Expansion rivet	

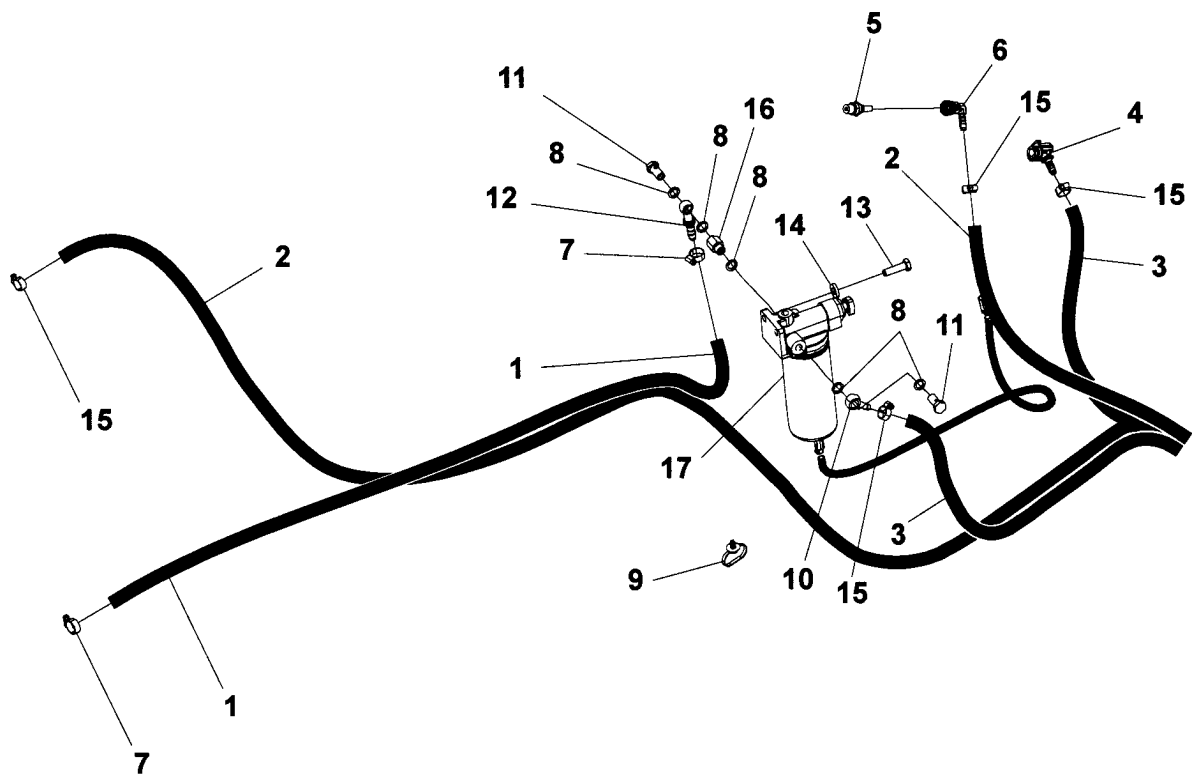
Brackets assy



**Brackets assy**

<b>Item</b>	<b>Part No</b>	<b>Rem Qty</b>	<b>Description</b>	<b>Code</b>
1	4812112343	1	Bracket	
2	4812112344	1	Bracket	
3	4812112639	4	Spacer	
4	4812112761	6	Rubber cloth	
5	4812113640	1	Bracket	
6	4812112647	1	Bracket	
7	4812113641	1	Bracket	
8	4812112777	2	Bracket	
9	4812112776	2	Bracket	
10	4812114913	1	Bracket	

Fuel hoses



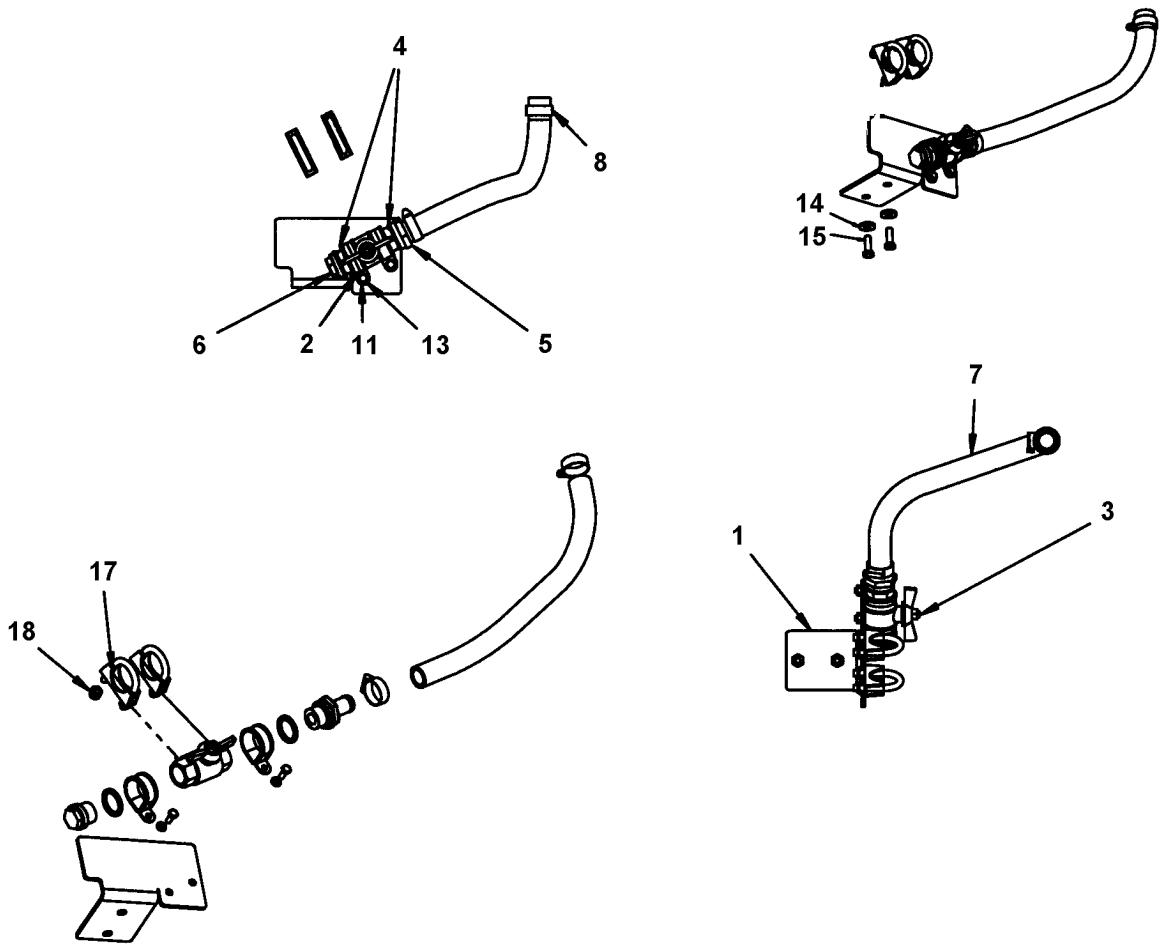


**Fuel hoses**

<b>Item</b>	<b>Part No</b>	<b>Rem</b>	<b>Qty</b>	<b>Description</b>	<b>Code</b>
1	4700904986	A	1XL	Fuel hose,fire-resistant	
2	4700904985	B	1XL	Fuel hose	
3	4700904985	C	1XL	Fuel hose	
4	4700792547		1	Quick connect coupling	
5	4811000089		1	Quick connect coupling	
6	4812117789		1	Quick coupling	
7	4700313002		2	Hose clamp 13-20 mm	
8	4700747282		5	Copper washer	
9	4700792441	N		Cable tie with holder	
10	4700330170		1	Banjo nipple	
11	4700330171		2	Hollow screw	
12	4812117397		1	Banjo coupling	
13	4700500030		2	Screw M10x035H 8.8 A3K	
14	4700904557		2	Steel plain washer	
15	4700313001		4	Hose clamp	
16	4812118503		1	Straight connector	
17		D	1	Pre-fuel filter	

- A) L = 1.9m
- B) L = 3.4m
- C) L = 2.1m
- D) See section for diesel engine.

Draining module, option

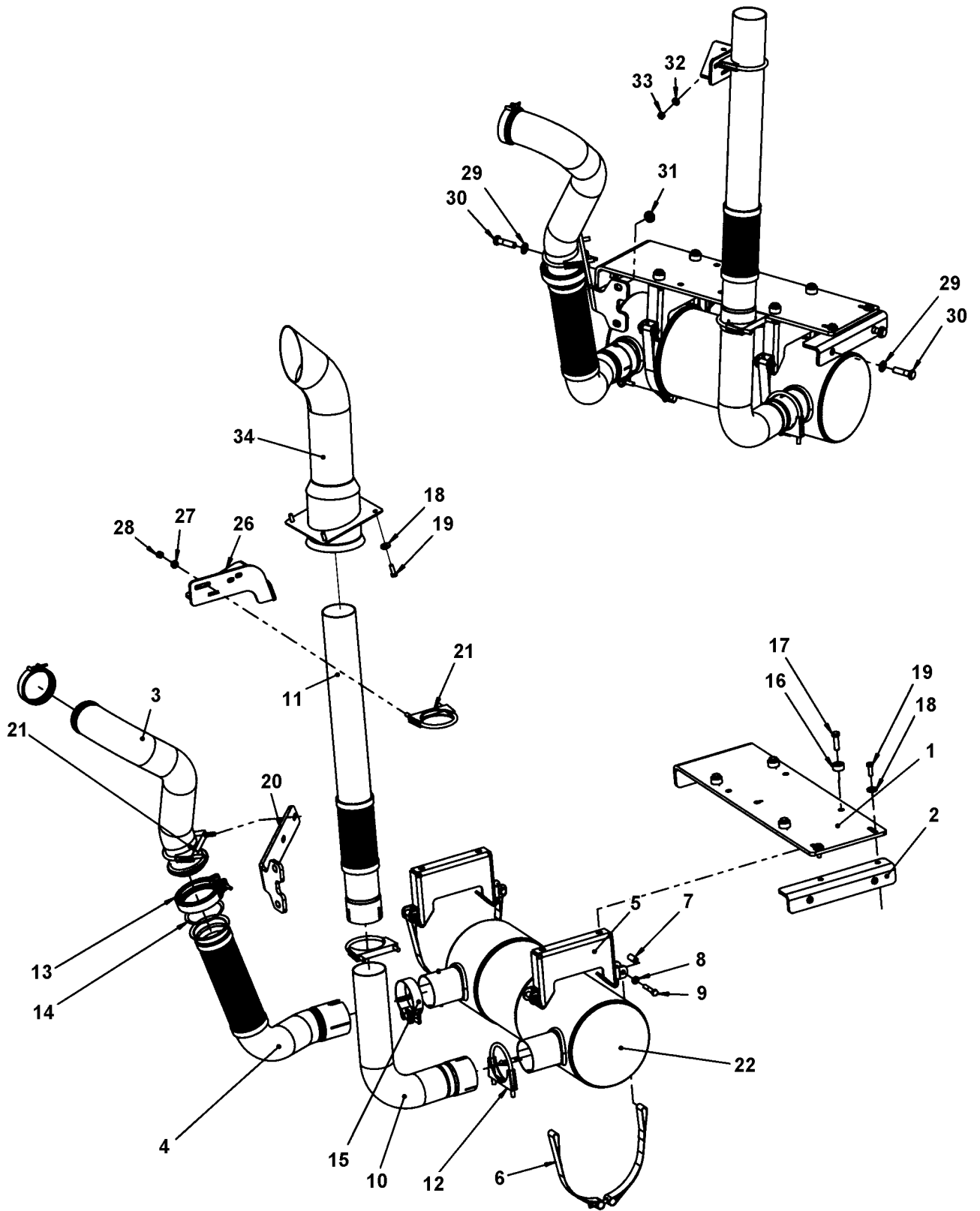


## Draining module, option

Item	Part No	Rem	Qty	Description	Code
1	4812114424	A	1	Bracket	
2	4700921057		2	Pipe clamp covered	
3	4700233304		1	Ball valve	
4	4700791120		2	Sealing washer	
5	4812113181		1	Connection	
6	4700232039		1	Plug G3/4	
7	4700904988	B	1XL	Fuel hose	
8	4700313006		2	Hose clamp	
11	4700904228		2	Washer 6,4x12x1,5	
13	4700500013		2	Screw M6-1x16 8,8	
14	4700904640		2	Washer 8,4x22x3	
15	4700500021		2	Screw M8-1,25x25 8.8	
17	4700922944	C	2	Tube clamp	
18	4700586003		4	Lock nut M8	

- A) Only used when protection plate 4812112439 is mounted on the machine.  
 B) L=0.39m  
 C) Used instead of item 4 when protection plate 4812117048 is mounted on the machine.

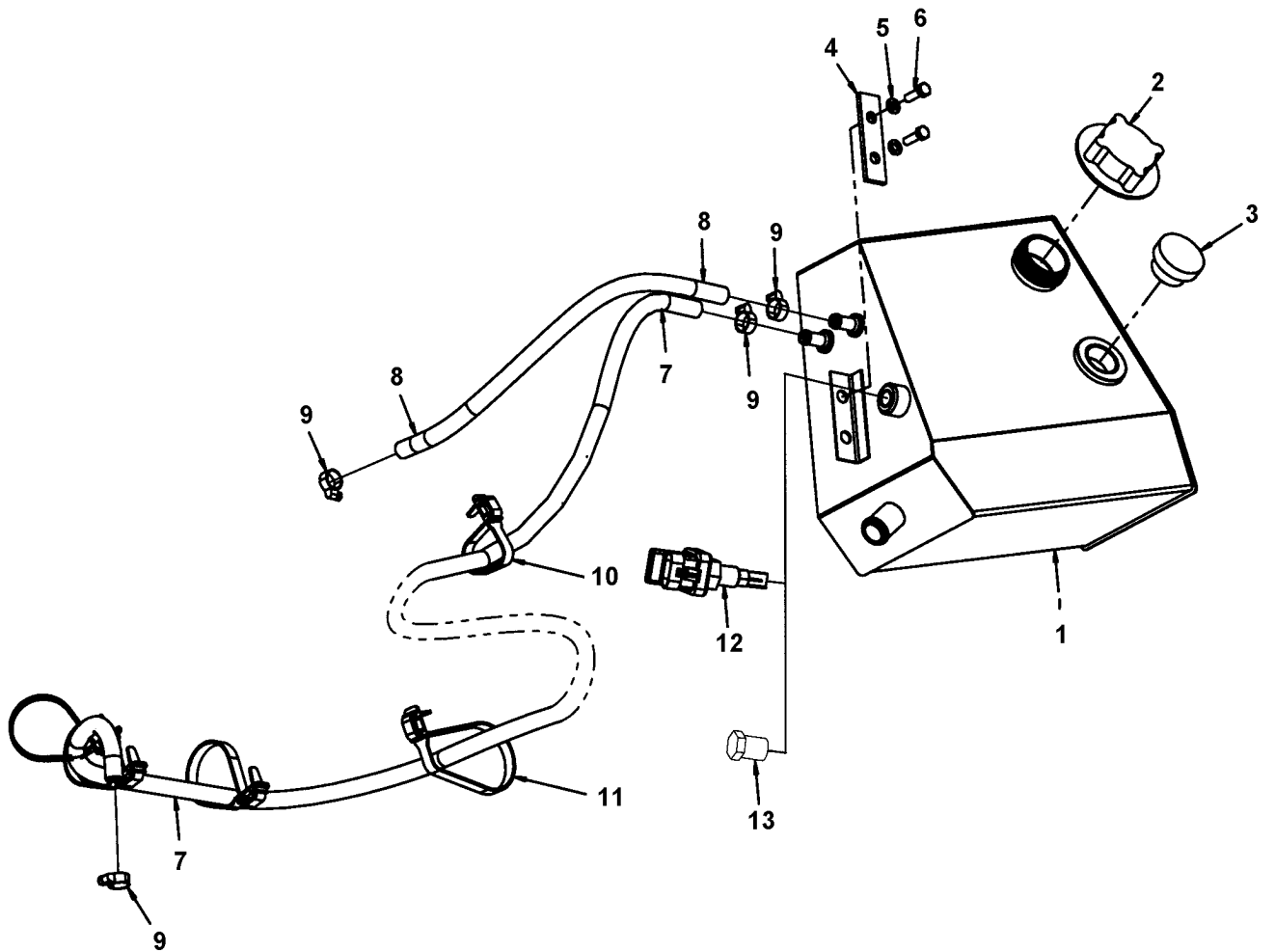
Exhaust system



## Exhaust system

Item	Part No	Rem Qty	Description	Code
1	4812116994	1	Bracket	
2	4812116342	1	Bracket	
3	4812118166	1	Exhaust pipe	
4	4812118167	1	Exhaust pipe	
5	4812115334	2	Holder	
6	4812115335	2	Clamp	
7	4812115581	4	Spacer sleeve	
8	4700904229	4	Steel plain washer 8,4x16x1,5	
9	4700500024	4	Screw M8x45	
10	4812115332	1	Exhaust pipe	
11	4812115333	1	Exhaust pipe	
12	4700313094	2	Pipe clamp	
13	4812115908	1	V-band clamp	
14	4812115600	1	Gasket	
15	4812113999	1	Clamp	
16	4700359989	4	Spacer sleeve	
17	4700500030	4	Screw M10x035H 8.8 A3K	
18	4700904640	2	Washer 8,4x22x3	
19	4700500021	2	Screw M8-1,25x25 8.8	
20	4812118168	1	Holder	
21	4811000481	1	Pipe clamp	
22	4812116996	1	Catalytic converter	
26	4812118499	1	Bracket	
27	4700904556	2	Washer 8,4x16x3,0	
28	4700570005	2	Nut M8	
29	4700904231	4	Washer 13x24x2 300 HV	
30	4700500056	4	Screw	
31	4700904703	2	Steel plain washer	
32	4700904556	3	Washer 8,4x16x3,0	
33	4700570005	3	Nut M8	
34	4812112479	1	Exhaust pipe	

Expansion tank assembly



**Expansion tank assembly**

Item	Part No	Rem	Qty	Description	Code
1	4812115770		1	Expansion tank	
2	4700903714		1	Cap	
3	4700372597		1	Level glass	
4	4700381413		2	Washer	
5	4700904228		4	Washer 6,4x12x1,5	
6	4700500040		4	Screw M6-1x20 8,8	
7	4700904985	A	1XL	Fuel hose	
8	4700904985	B	1XL	Fuel hose	
9	4700313001		4	Hose clamp	
10	4812115835		3	Cable tie	
11	4812115836		4	Cable tie	
12	4812114098		1	Level sensor	
13	4700813423		1	Hexagon plug	

- A) L = 2.7m
- B) L = 0.23m

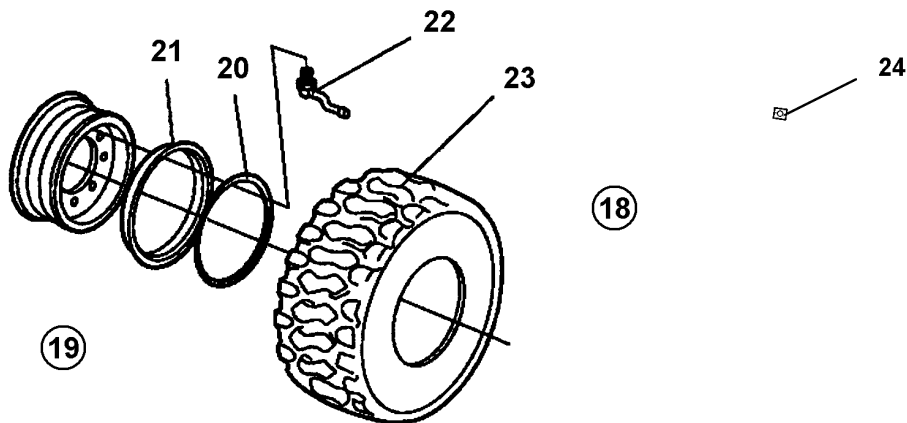
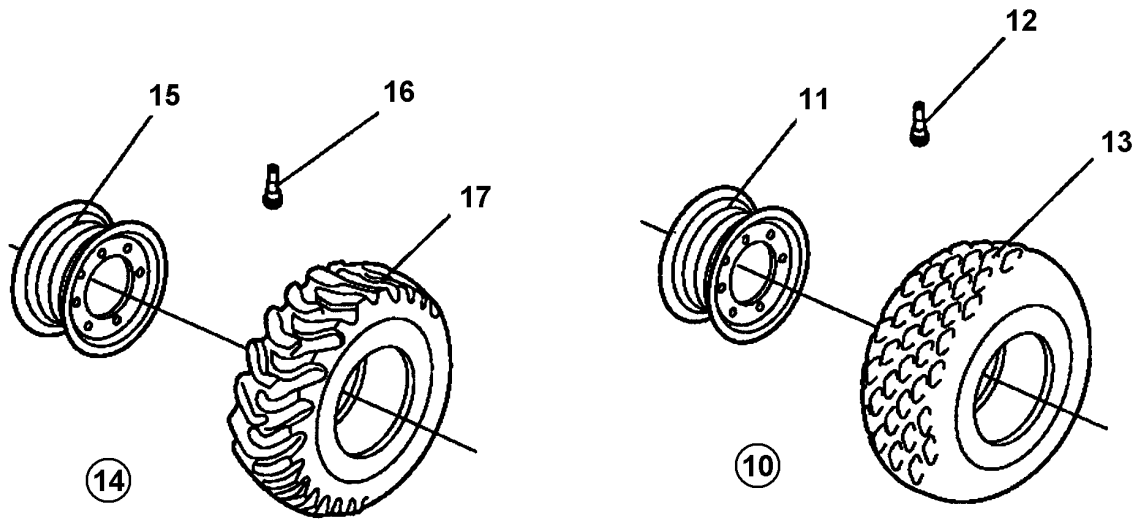
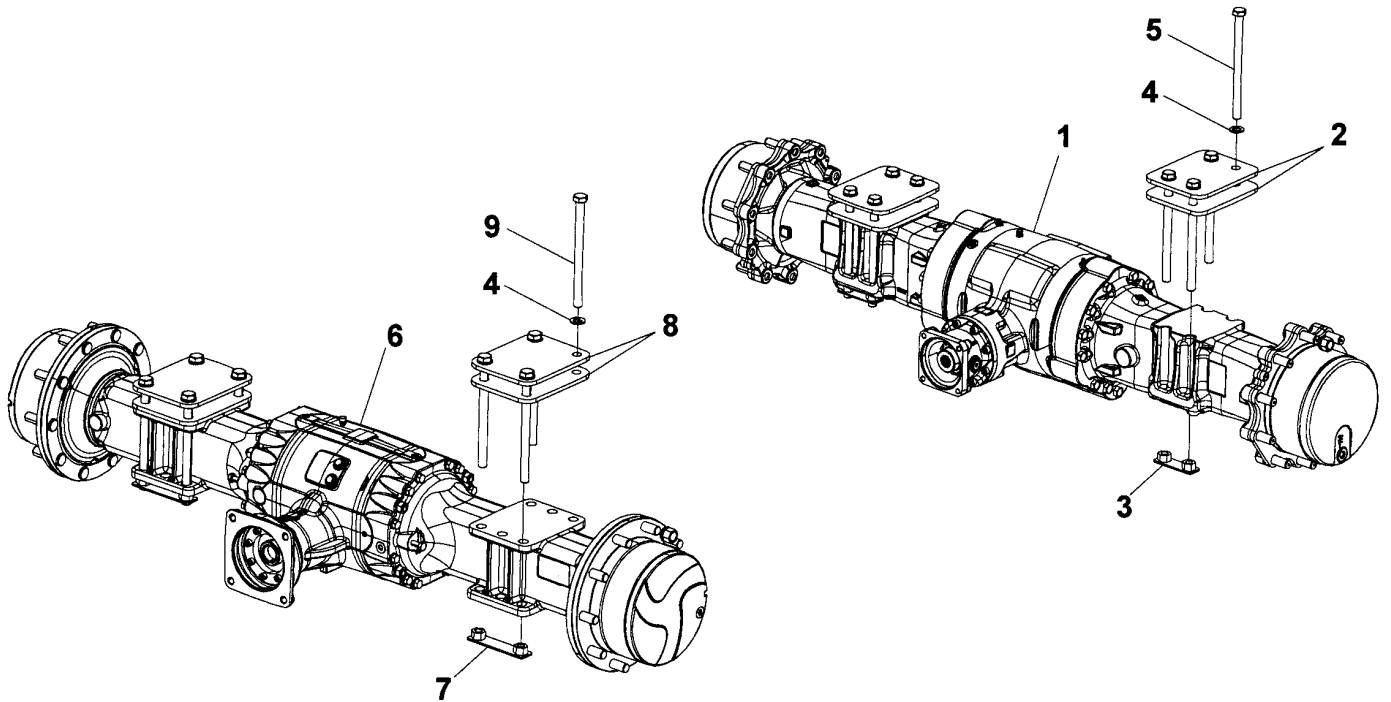
## Transmission



Transmission

Item	Part No	Rem Qty	Description	Code
1		1	Rear axle and wheels ( Page 148 )	

Rear axle and wheels



## Rear axle and wheels

Item	Part No	Rem Qty	Description	Code
1	4812113344	1	<b>Rear axle, limited slip ( Page 150 )</b>	
2	4812114933	4	Spacer	
3	4812114934	4	Nut-plate	
4	4700904233	8	Washer 21x36x3	
5	4700904280	8	Hexagon head screw	
6	4812113341	1	<b>Rear axle No spin ( Page 158 )</b>	
7	4812112393	4	Nut-plate	
8	4812112435	4	Spacer	
9	4700904353	8	Hexagon head screw	
10		A	2 Wheel, cpl	
11	4812120674	1	. Rim	
12	4700792261	1	. Air charging valve Straight	
13	4700390591	1	. Tyre	
14		2	Tractor wheel, cpl	
15	4700393335	1	. Rim	
16	4700792261	1	. Air charging valve Straight	
17	4700390589	1	. Tyre	
18		B	2 Wheel, cpl	
19	4812120676	1	. Rim cpl	
20	4700901443	1	. . Snap ring	
21	4700901444	1	. . Side ring	
22	4700791175	1	. Air charging valve	
	4700791176	1	. Valve foot	
23	4700901218	1	. Tyre	
24	4700903985	C	4 Decal "SAFETY", "TYRE IN BALLAST"	

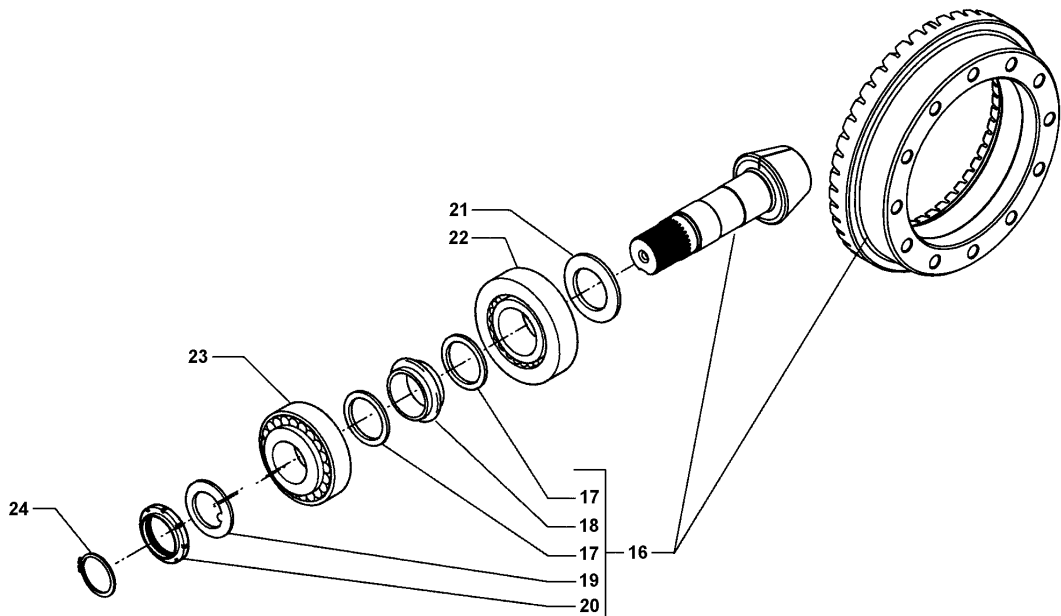
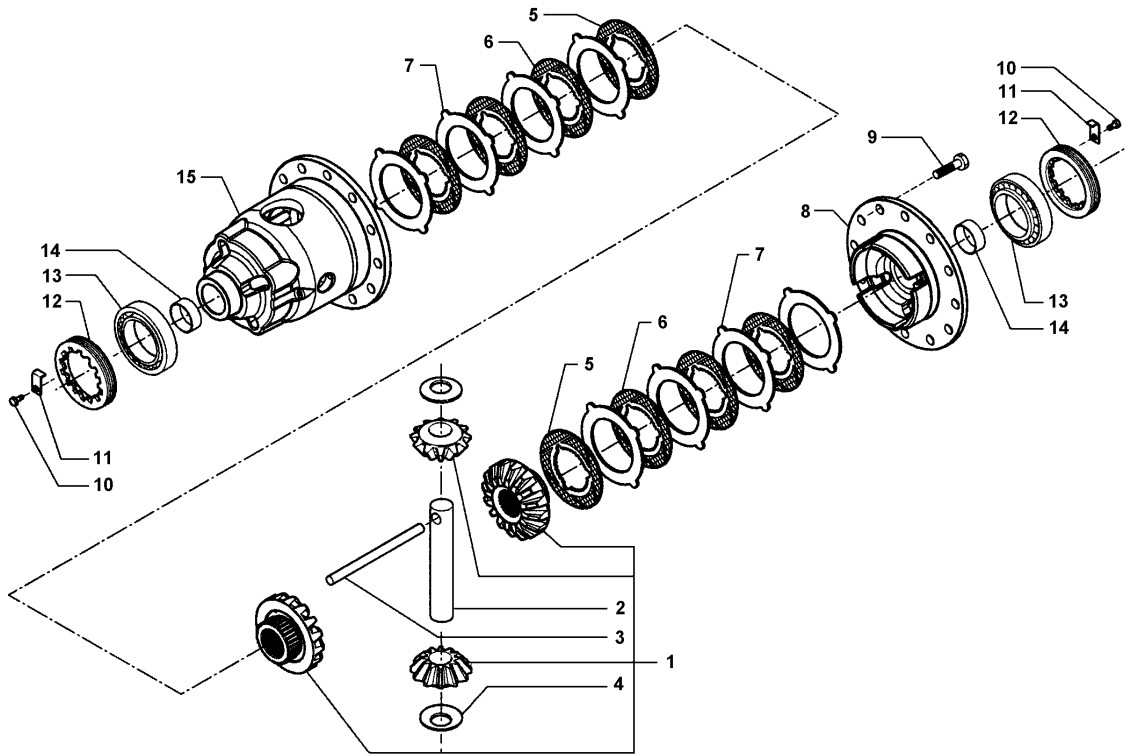
- A) All-weather wheel.
- B) Premium.
- C) Used with liquid filled tires.



**4812113344 Rear axle, limited slip**

Item	Part No	Rem Qty	Description	Code
1		1	Rear axle, limited slip	
2		1	<b>Differential &amp; Bevel gear ( Page 152 )</b>	
3		1	<b>Brakes ( Page 154 )</b>	
4		1	<b>Hub reduction ( Page 156 )</b>	
5		1	Left, leg housing	
6		3	Plug	
7	4812158466	2	Breather	
8		2	Brake cylinder	
9		2	Plug	
10		4	Pin	
11		1	Right, leg housing	
12		2	Plug	
13		1	Central body	
14		8	Bolt	
15		26	Bolt	
16		2	Bush	
17	4812158467	2	Seal ring	
18	4812158468	1	Breather	
19	4812158469	1	O-ring	
20		1	Sleeve	
21		1	Phonic wheel	
22		1	Flange	
23		8	Screw	
24		2	Washer	
25		2	Plug	
26		1	Snap ring	

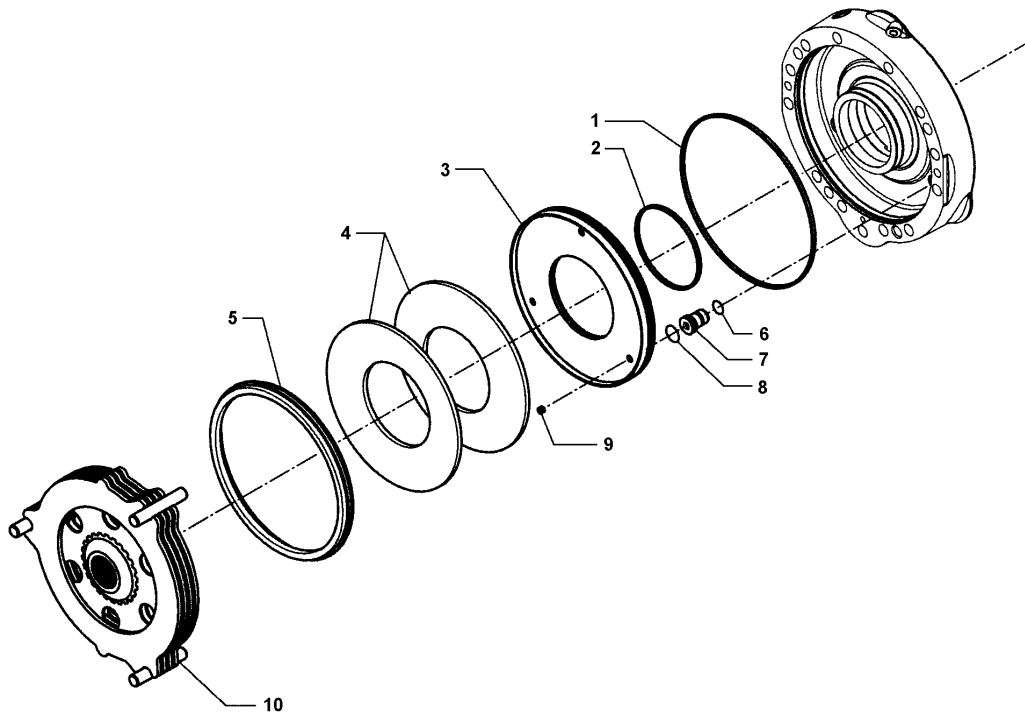
Differential & Bevel gear



Differential & Bevel gear

Item	Part No	Rem Qty	Description	Code
1	4812158474	1	Differential kit	
2		1	. Pin	
3		1	. Pin	
4		2	. Thrust washer	
5		2	Differential disc	
6		6	Differential disc	
7		8	Differential counter disc	
8		1	Differential housing cover	
9		12	Bolt	
10		2	Bolt	
11		2	Locking plate	
12		2	Ring nut	
13	4812158475	2	Bearing	
14		2	Bush	
15		1	Differential housing	
16	4812158470	1	Bevel gear/pinion kit	
17		2	. Washer	
18		1	. Collapsible spacer	
19		1	. Lock washer	
20		1	. Ring nut	
21		1	Shim	
22	4812158471	1	Bearing	
23	4812158472	1	Bearing	
24	4812158473	1	Snap ring	

Brakes

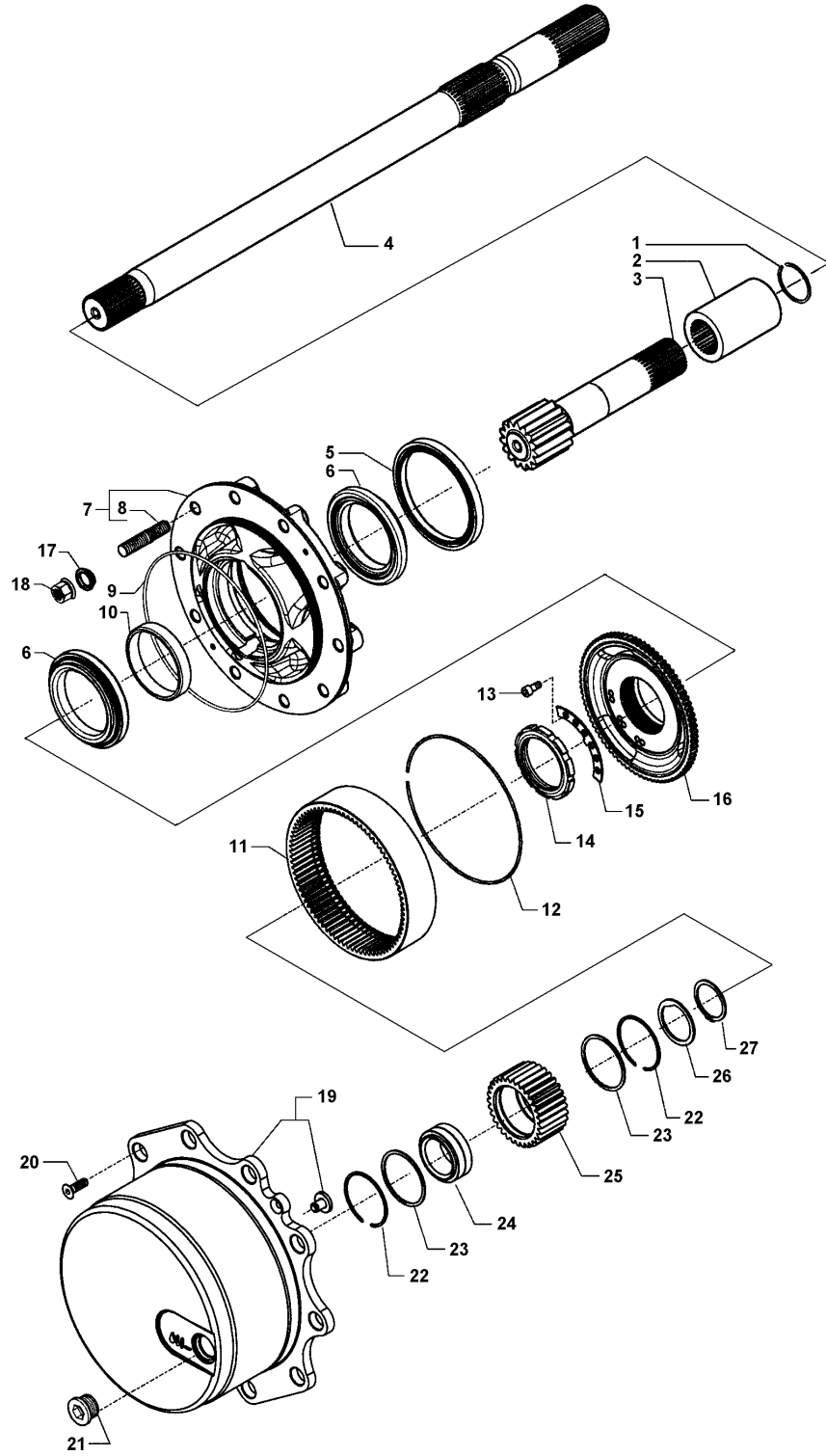




**Brakes**

<b>Item</b>	<b>Part No</b>	<b>Rem Qty</b>	<b>Description</b>	<b>Code</b>
1		2	Quadring	
2		2	Quadring	
3		2	Brake piston	
4		2	Belleville washer	
5		2	Sleeve	
6		6	O-ring	
7		6	Actuation pin	
8		6	O-ring	
9		6	Plug	
10		2	Brake discs assembly	

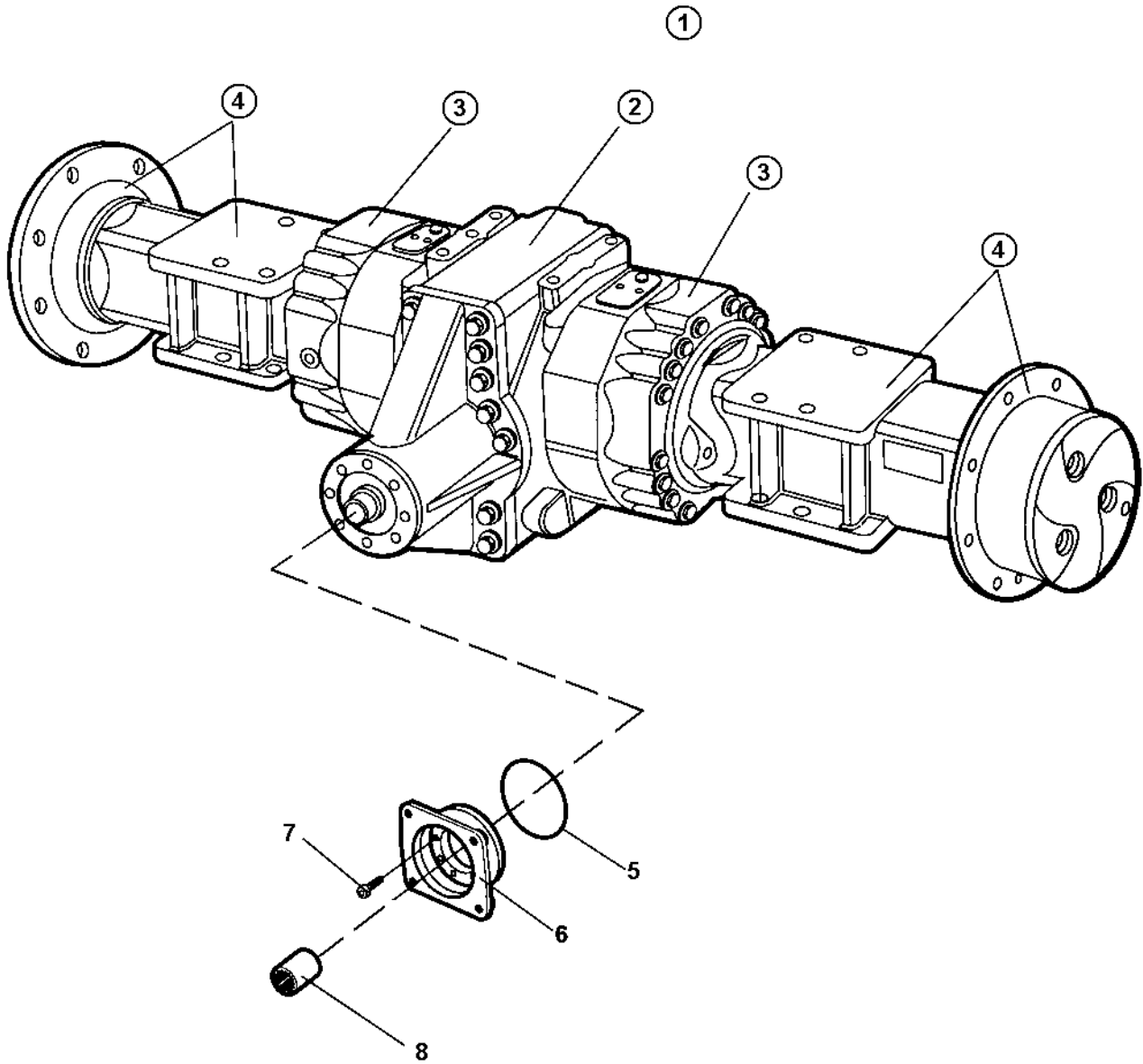
Hub reduction



Hub reduction

Item	Part No	Rem Qty	Description	Code
1		2	Snap ring	
2		2	Bush	
3		2	Half shaft	
4		2	Half shaft	
5		1	Seal ring	
6	4812158476	2	Bearing	
7	4812158477	2	Wheel hub kit	
8	4812158478	20	. Stud	
9		2	O-ring	
10		2	Spacer	
11		2	Crown gear	
12		2	Lock ring	
13		6	Bolt	
14		2	Ring nut	
15		2	Locking plate	
16		2	Wheel carrier	
17		12	Washer	
18		12	Nut	
19		2	Planetary carrier assy	
20		4	Bolt	
21	4812158479	2	Plug	
22		12	Snap ring	
23		12	Thrust washer	
24	4812158480	6	Rollers bearing	
25		6	Gear	
26		6	Thrust washer	
27		6	Snap ring	

4812113341 Rear axle No spin

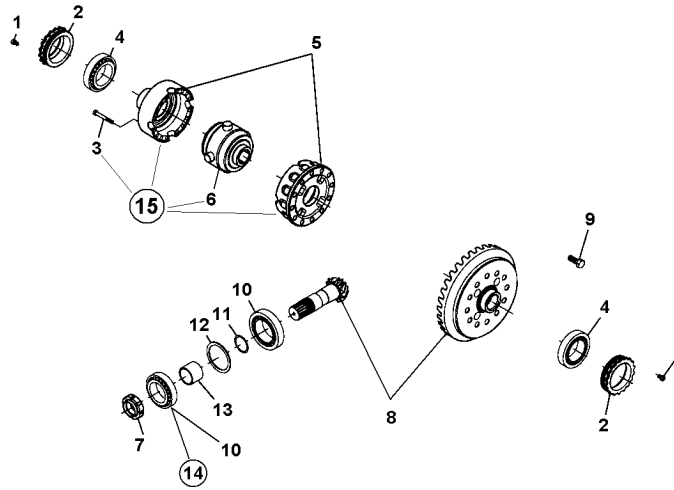


4812113341 Rear axle No spin

Item	Part No	Rem Qty	Description	Code
1		1	Rear axle	
2		1	. Differential ( Page 160 )	
3		2	. Central housing and brakes ( Page 162 )	
4		2	. Hub reduction ( Page 164 )	
5	4700929675	1	. O-ring	
6		1	. Cover	
7		8	. Bolt	
8	4812156887	1	. Splined sleeve	

### Differential

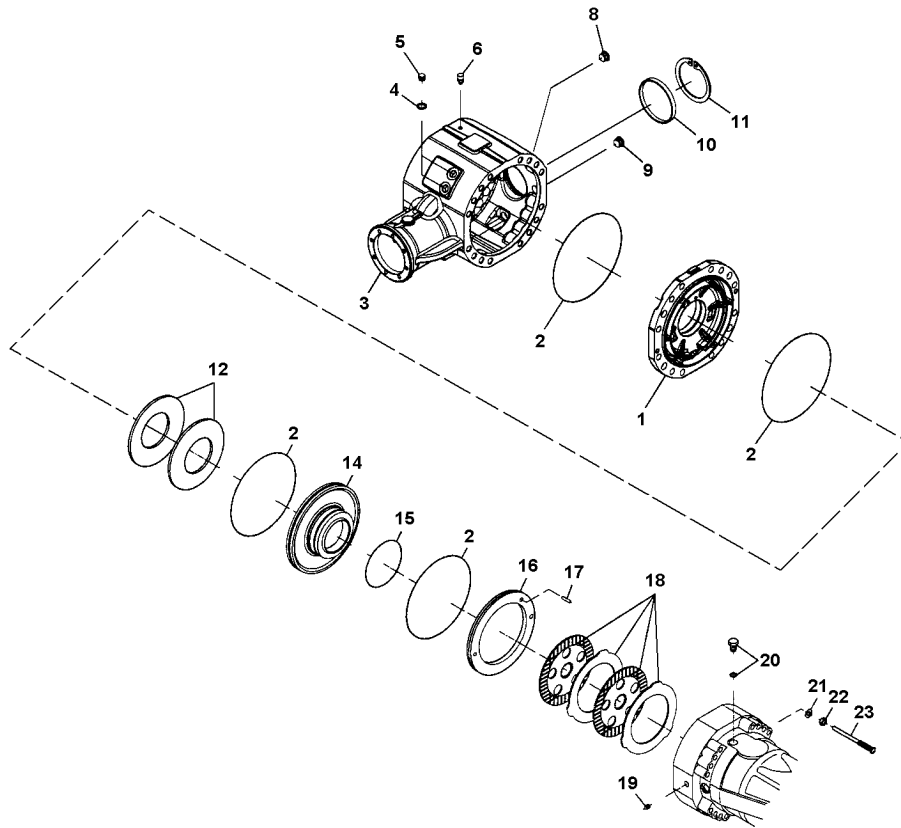
15 = Position KIT = 3+5+6



Differential

Item	Part No	Rem Qty	Description	Code
1		2	Bolt	
2		2	Ring nut	
3		16	Bolt	
4	4812157358	2	Taper roller bearing	
5		1	Differential carrier	
6		1	No spin differential	
7		1	Ring nut	
8	4812157359	1	Bevel gear set	
9		16	Bolt	
10	4812157361	1	Roller bearing	
11		1	Shim	
12		1	Shim	
13		1	Spacer	
14	4812157469	1	Bearing for options	
15	4812157462	1	No spin differential kit	

Central housing and brakes





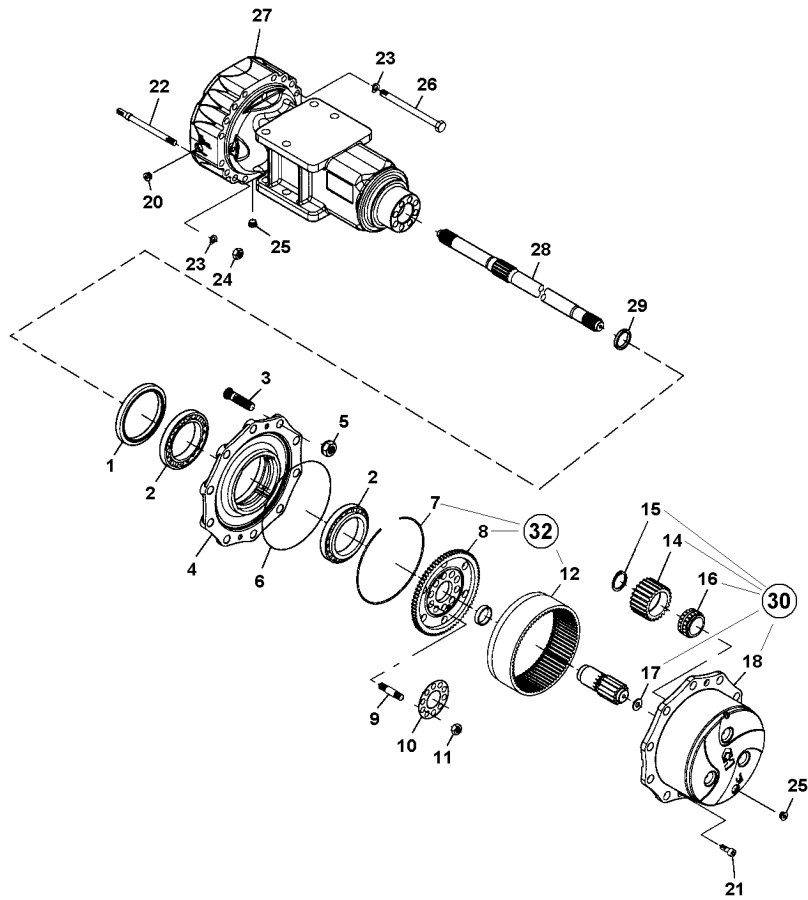
Central housing and brakes

Item	Part No	Rem Qty	Description	Code
1		2	Cover	
2	4700909609	8	O-ring	
3		1	Housing	
4		2	Seal washer	
5		2	Bolt	
6	4700938984	1	Vent nipple	
8	4812157461	1	Plug	
9	4700939350	1	Magnetic plug	
10		1	Plug	
11		1	Snap ring	
12		2	Spring	
14		2	Piston	
15	4812156954	2	O-ring	
16		2	Ring	
17		2	Dowel	
18	4812157465	2	Brake disc	
19	4812157466	2	Plug	
20	4812156958	2	Plug	
21		4	Lock washer	
22		4	Nut	
23		4	Bolt	

### Hub reduction

32) Position Kit =7+8+12

30) Position Kit =14+15+16+17+18



**Hub reduction**

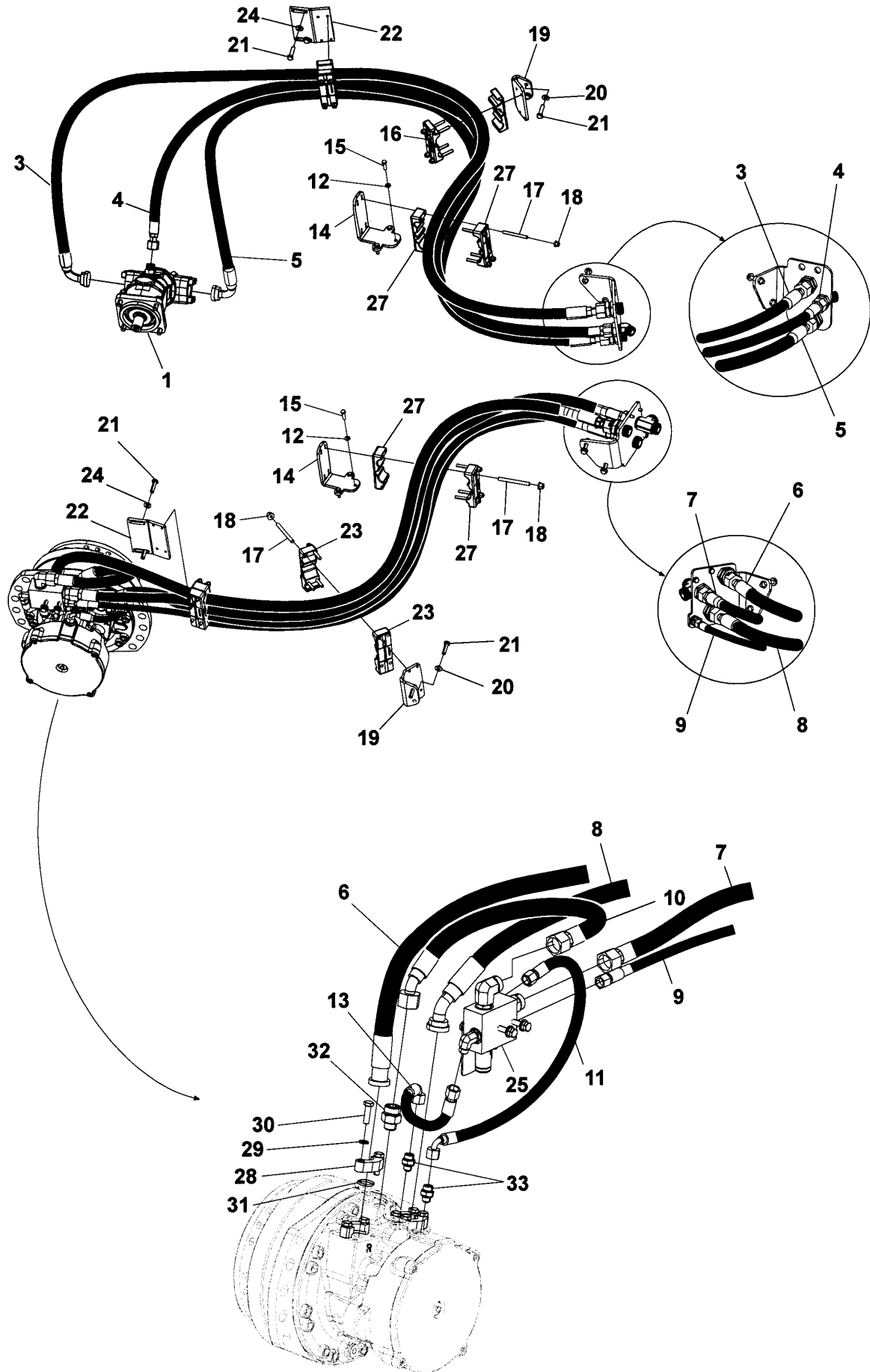
<b>Item</b>	<b>Part No</b>	<b>Rem Qty</b>	<b>Description</b>	<b>Code</b>
1	4812156796	2	Seal	
2	4700939009	4	Bearing	
3	4700926781	20	Wheel screw	
4		2	Wheel hub	
5	4700901987	20	Wheel nut	
6	4700929612	2	O-ring	
7		2	Circlip	
8		2	Ring gear support	
9		16	Stud	
10		2	Locking plate	
11		16	Nut	
12		2	Ring gear	
14		6	Planet gear	
15		6	Snap ring	
16	4700939273	6	Bearing	
17		2	Friction washer	
18		2	Planet gear carrier	
20	4700939348	2	Plug	
21		4	Countersunk bolt	
22		8	Stud	
23		8	Spring washer	
24		8	Nut	
25	4700939350	4	Magnetic plug	
26		24	Bolt	
27		2	Axle case	
28		2	Half shaft	
29	4700939014	2	Seal	
30	4812157463	2	Planet gear carrier	
32	4812157464	2	Ring gear support	

## Hydraulic system

## Hydraulic system

Item	Part No	Rem Qty	Description	Code
1		1	Hydraulic system, drum (D) Traction control, dual speed ( Page 168 )	
2		1	Hydraulic system, drum (PD) Traction control, dual speed ( Page 194 )	
3		1	Hydraulic system, drum Anti-spin system ( Page 202 )	
4		1	Hydraulic system, rear axle Traction control, limited slip ( Page 214 )	
5		1	Hydraulic system, rear axle Traction control, no slip ( Page 226 )	
6		1	Hydraulic system, rear axle Anti-spin system ( Page 234 )	
7		1	Hydraulic system, rear axle Dual speed ( Page 244 )	
8		1	Hydraulic system, oil tank ( Page 250 )	
9		1	Hydraulic system, engine room ( Page 268 )	
10		1	Hydraulic system, engine room Adjustable frequency, eco opti ( Page 286 )	
11		1	Hydraulic system, frame rear ( Page 296 )	
12		1	Hydraulic system, steering ( Page 302 )	
13		1	Hydraulic hoses, steering ( Page 308 )	
14		1	Hydraulic system, emergency steering ( Page 310 )	

Hydraulic system, drum (D) Traction control, dual speed

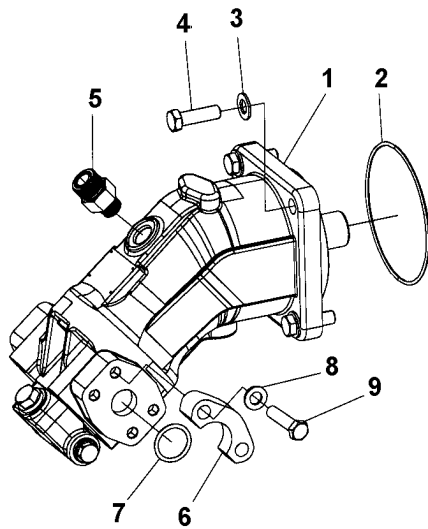


## Hydraulic system, drum (D) Traction control, dual speed

Item	Part No	Rem	Qty	Description	Code
1		A	1	<b>Hydraulic motor ( Page 170 )</b>	
			1	<b>Hydraulic motor ( Page 180 )</b>	
3	4812114684	A	1	Hydraulic hose	
	4812114690		1	Hydraulic hose	
4	4812114685	A	1	Hydraulic hose	
	4812114691		1	Hydraulic hose	
5	4812114686	A	1	Hydraulic hose	
	4812114692		1	Hydraulic hose	
6	4812114674		1	Hydraulic hose	
7	4812114675		1	Hydraulic hose	
8	4812114676		1	Hydraulic hose	
9	4812114677		1	Hydraulic hose	
10	4812114678		1	Hydraulic hose	
11	4812114679		1	Hydraulic hose	
12	4700904229		6	Steel plain washer 8,4x16x1,5	
13	4812114680		1	Hydraulic hose	
14	4812117915		2	Bracket	
15	4700500022		6	Screw M8x30H 8.8	
16	4812112304		4	Hose holder	
17	4700791860		24	Stud	
18	4700902286		24	Hexagon lock nut with flange	
19	4812113963		2	Bracket	
20	4700904230		4	Steel plain washer	
21	4700500028		8	Screw	
22	4812113569		2	Bracket	
23	4812112306		4	Hose holder	
24	4700904557		4	Steel plain washer	
25			1	<b>Hydraulic valve module ( Page 190 )</b>	
27	4812116857		4	Hose holder	
28	4700929226		4	Flange half	
29	4700904637		8	Washer	
30	4700500030		8	Screw M10x035H 8.8 A3K	
31	4700904004		2	O-ring	
32	4700792336		1	Straight connector orfs	
33	4700791535		2	Connector	

A) Compaction data high, option.

**Hydraulic motor**

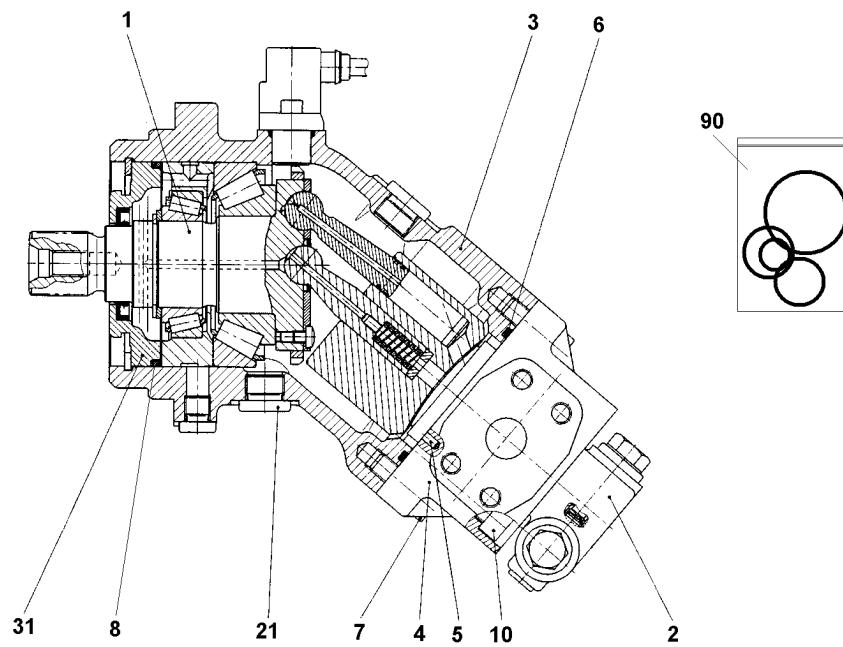




## Hydraulic motor

Item	Part No	Rem Qty	Description	Code
1	4812112216	1	Hydraulic motor, vibration ( Page 172 )	
2	4700160132	1	O-ring 124, 50x3, 00	
3	4700904231	4	Washer 13x24x2 300 HV	
4	4700500194	4	Screw	
5	4811000074	1	Straight connector orfs	
6	4700929226	4	Flange half	
7	4700904004	2	O-ring	
8	4700904637	8	Washer	
9	4700500030	8	Screw M10x035H 8.8 A3K	

4812112216 Hydraulic motor, vibration

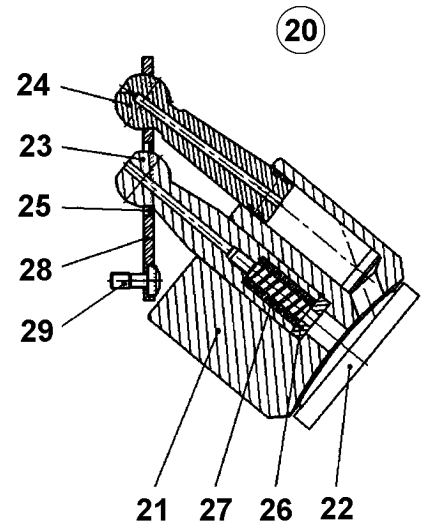
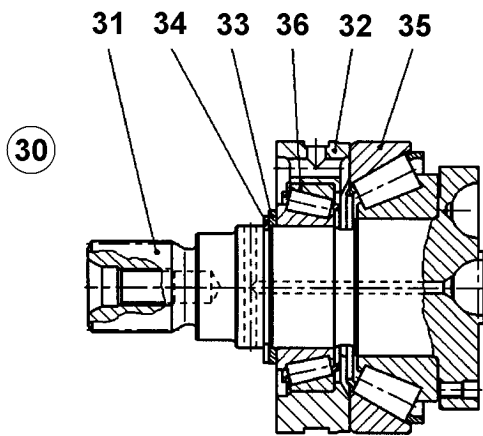
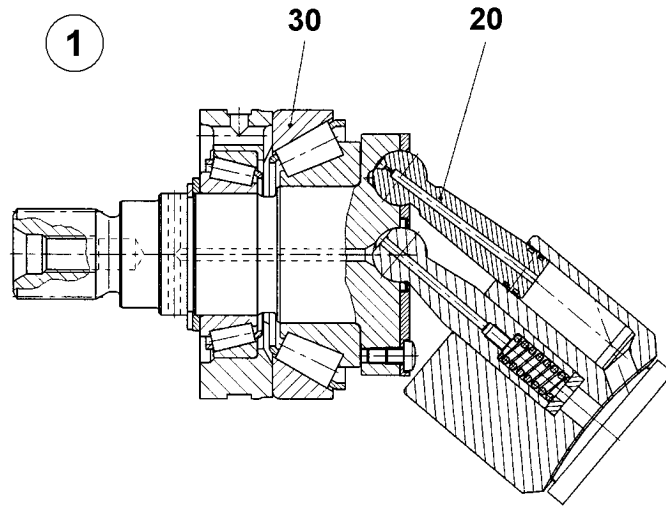


4812112216 Hydraulic motor, vibration

Item	Part No	Rem	Qty	Description	Code
1			1	<b>Rotary group ( Page 174 )</b>	
2			1	<b>Flush &amp; boost pressure valve with orifice ( Page 176 )</b>	
3			1	Housing	
4			1	Port plate	
5			1	Cylinder pin	
6	4812158170	A	1	O-ring	
7			2	Socket head screw	
8	4812158173		1	O-ring	
10			4	Socket head screw	
21			1	Locking screw	
31			1	<b>Cover ( Page 178 )</b>	
90	D966534208	A	1	Seal kit	

A) Included in seal kit.

Rotary group

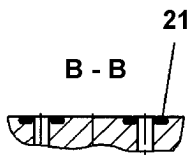
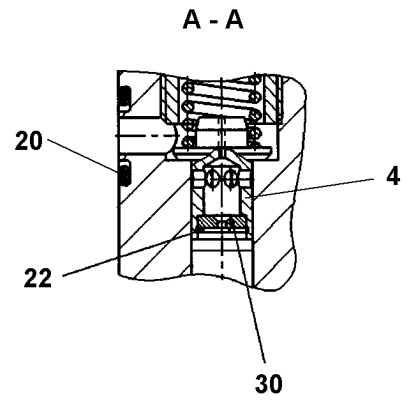
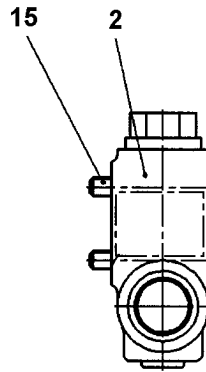
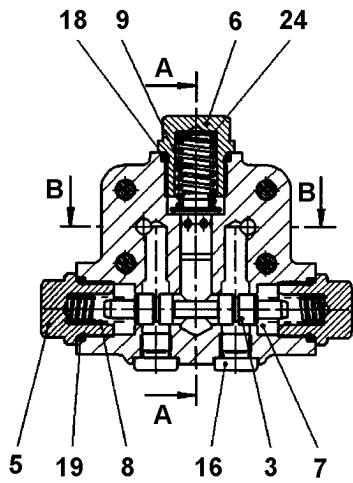


**Rotary group**

<b>Item</b>	<b>Part No</b>	<b>Rem Qty</b>	<b>Description</b>	<b>Code</b>
1	4812158168	1	Rotary group, cpl	
20		1	Rotary group, hydraulic section	
21		1	. Cylinder	
22		1	. Control plate	
23		1	. Center pin	
24		7	. Piston with piston rings	
25		1	. Washer	
26		1	. Adjustment shim	
27		1	. Pressure spring	
28		1	. Retaining plate	
29		7	. Pan-head screw	
30		1	Drive shaft with bearing assy	
31		1	. Drive shaft	
32		1	. Bearing ring	
33		1	. Back-up plate	
34		1	. Retaining ring	
35	4812158171	1	. Tapered roller bearing	
36	4812158077	1	. Tapered roller bearing	

Flush & boost pressure valve with orifice

1

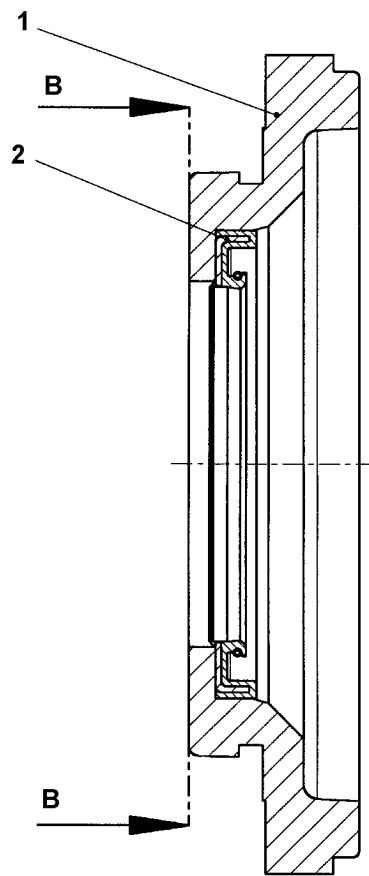


**Flush & boost pressure valve with orifice**

Item	Part No	Rem	Qty	Description	Code
1	4812158169		1	Flush & boost pressure valve with orifice	
2			1	. Housing piston	
3			1	. Flushing piston	
4			1	. Valve piston	
5			2	. Locking screw	
6			1	. Locking screw	
7			2	. Washer	
8			2	. Pressure spring	
9			1	. Pressure spring	
15			4	. Socket head screw	
16			2	. Locking screw	
18	4812157460	A	1	. O-ring	
19	4812157170	A	2	. O-ring	
20	4812157184	A	1	. O-ring	
21	4812157185	A	2	. O-ring	
22			1	. Retaining ring	
24			1	. Shim	
30	4812158172		1	. Orifice	

A) Included in seal kit.

Cover



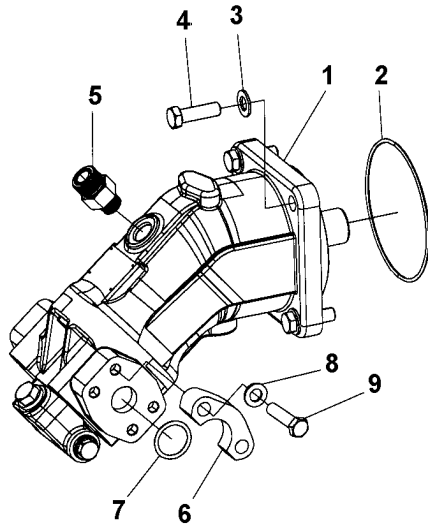


## Cover

Item	Part No	Rem	Qty	Description	Code
1			1	Cover	
2	4700937264	A	1	Seal ring	

A) Included in seal kit.

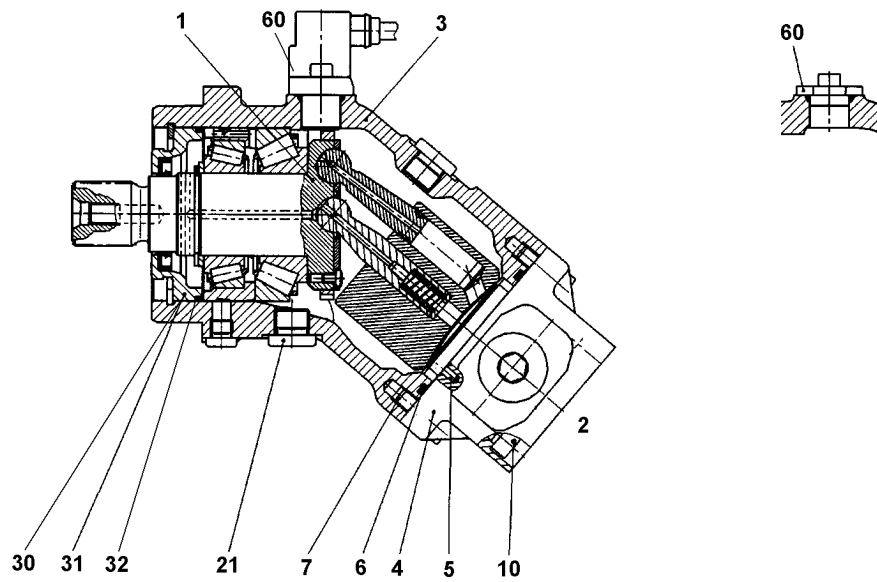
**Hydraulic motor**



Hydraulic motor

Item	Part No	Rem Qty	Description	Code
1	4812112215	1	Hydraulic motor ( Page 182 )	
2	4700160132	1	O-ring 124, 50x3, 00	
3	4700904231	4	Washer 13x24x2 300 HV	
4	4700500194	4	Screw	
5	4811000074	1	Straight connector orfs	
6	4700900430	4	Flange half	
7	4700904774	2	O-ring	
8	4700904229	8	Steel plain washer 8,4x16x1,5	
9	4700500022	8	Screw M8x30H 8.8	

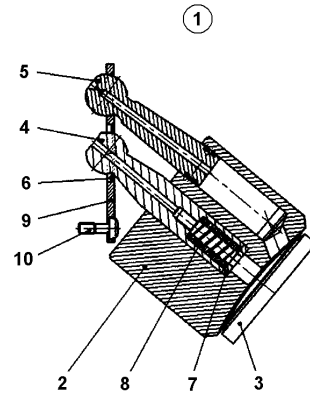
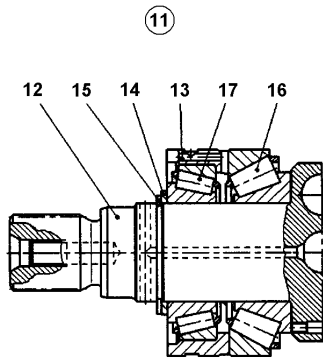
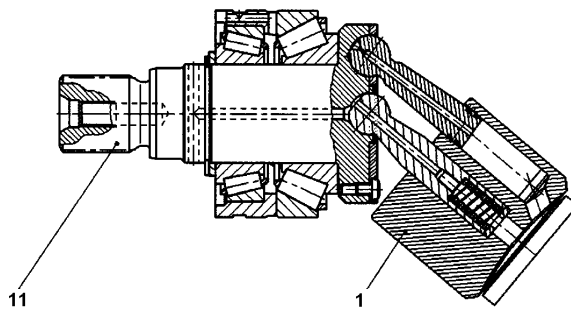
4812112215 Hydraulic motor



4812112215 Hydraulic motor

Item	Part No	Rem Qty	Description	Code
1		1	<b>Rotary group ( Page 184 )</b>	
2		1	<b>Flush and boost pressure valve ( Page 186 )</b>	
3		1	Housing	
4		1	Subplate	
5		1	Cylinder pin	
6	4700937258	1	O-ring	
7		2	Socket head screw	
10		4	Socket head screw	
21		1	Locking screw	
30		1	<b>Cover with shaft seal ring ( Page 188 )</b>	
31	4812158766	1	Cover, cpl	
32	4700937265	1	O-ring	
60		1	Flange cover	

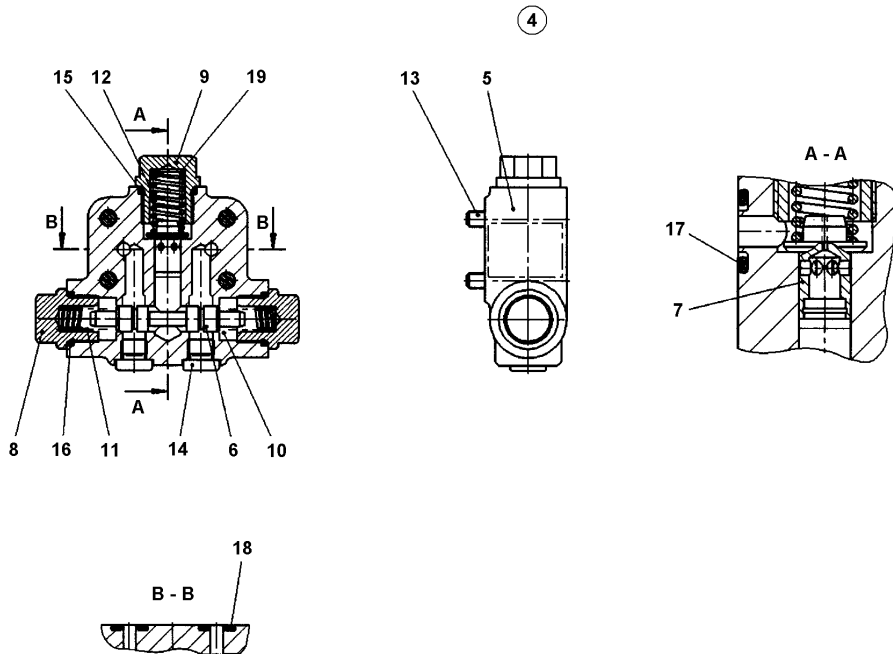
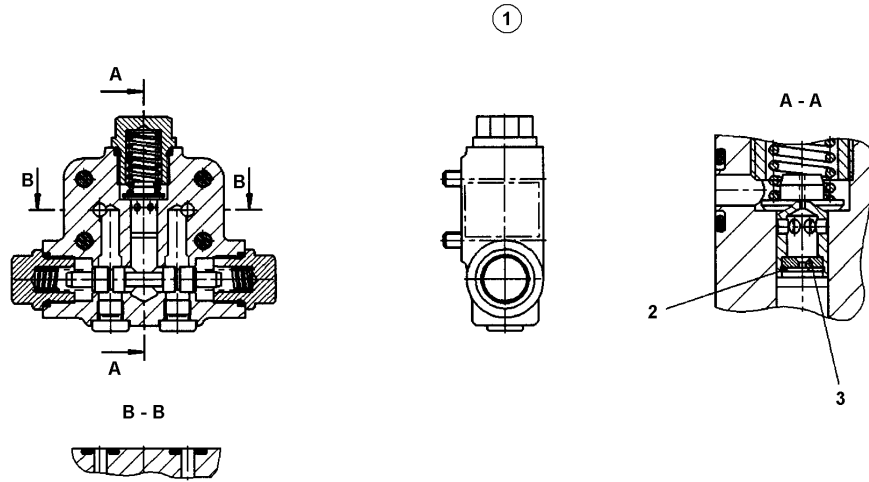
Rotary group



Rotary group

Item	Part No	Rem Qty	Description	Code
1		1	Rotary group, hydraul section	
2		1	. Cylinder	
3		1	. Control plate	
4		1	. Center pin	
5		7	. Piston with piston rings	
6		1	. Washer	
7		1	. Adjustment shim	
8		1	. Compression spring	
9		1	. Retaining plate	
10		7	. Pan-head screw	
11		1	Drive shaft with bearing assy	
12		1	. Drive shaft	
13		1	. Bearing ring	
14		1	. Back-up plate	
15		1	. Retaining ring	
16	4700901385	1	. Bearing	
17	4700901386	1	. Bearing	

Flush and boost pressure valve

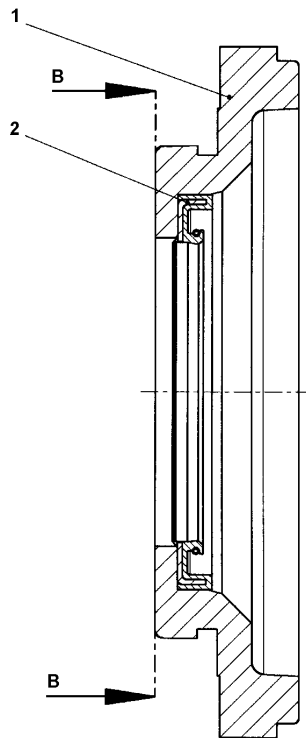




**Flush and boost pressure valve**

Item	Part No	Rem Qty	Description	Code
1		1	Flush and boost pressure valve with orifice	
2		1	. Retaining ring	
3	4812158657	1	. Orifice	
4		1	Flush and boost pressure valve without orifice	
5		1	. Housing	
6		1	. Flushing piston	
7		1	. Valve piston	
8		2	. Locking screw	
9		1	. Locking screw	
10		2	. Washer	
11		2	. Compression spring	
12		1	. Compression spring	
13		4	. Socket head screw	
14		2	. Locking screw	
15	4812157460	1	. O-ring	
16	4812157170	2	. O-ring	
17	4812157184	1	. O-ring	
18	4812157185	2	. O-ring	
19		1	. Shim	

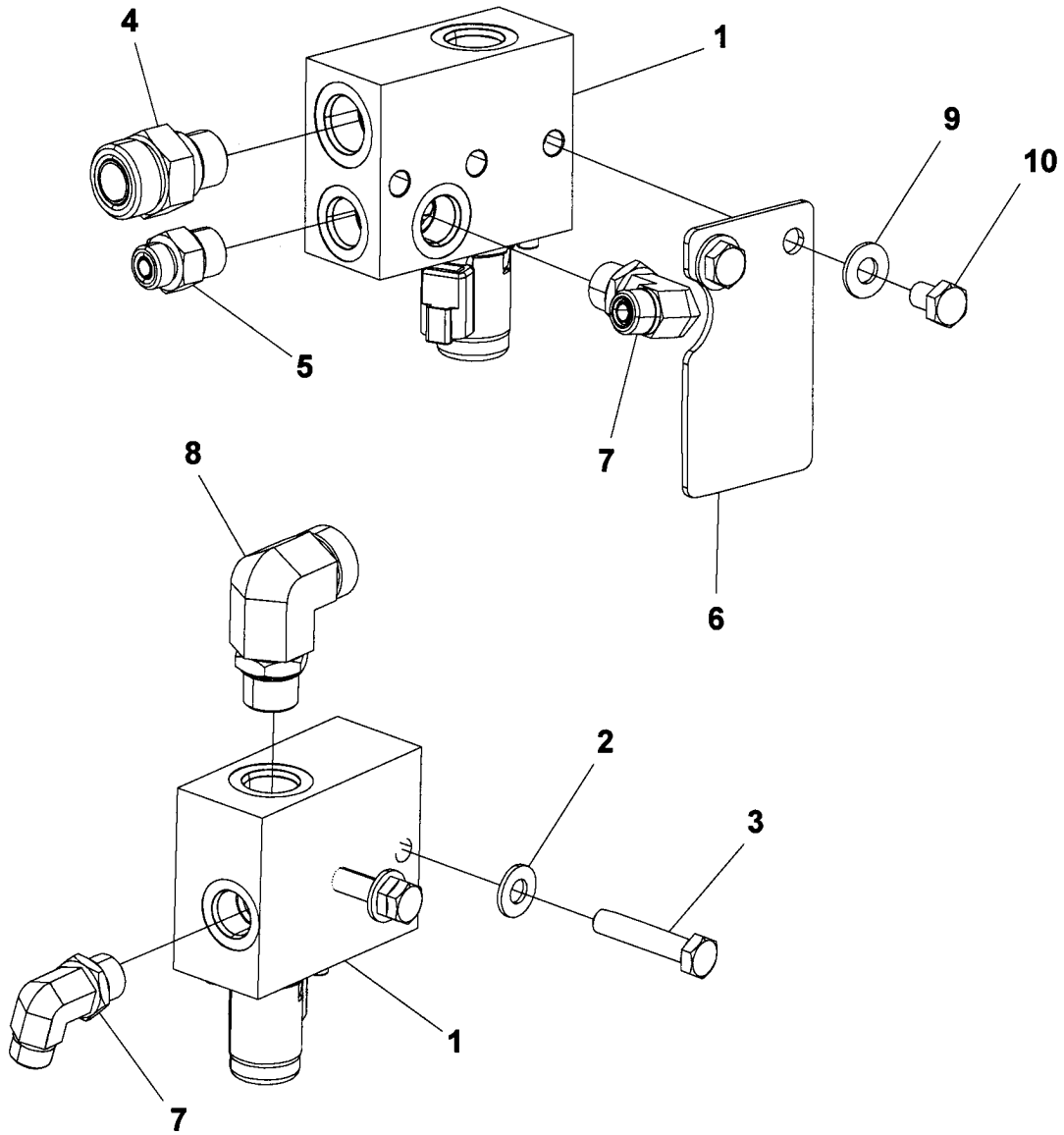
**Cover with shaft seal ring**



Cover with shaft seal ring

Item	Part No	Rem Qty	Description	Code
1		1	Cover	
2	4700937264	1	Seal ring	

Hydraulic valve module



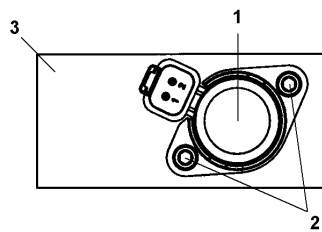
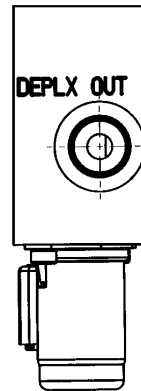
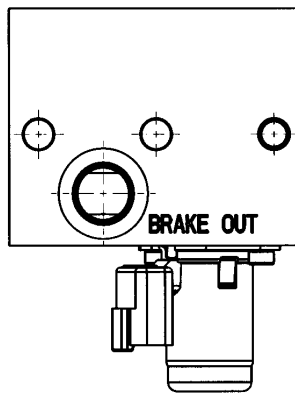
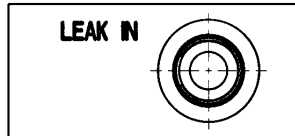
Hydraulic valve module

Item	Part No	Rem Qty	Description	Code
1	4812113687	1	<b>Hydraulic valve ( Page 192 )</b>	
2	4700904230	2	Steel plain washer	
3	4700500161	A	Hexagon head screw	
	4700500091	B	Screw	
4	4812115051	1	Straight connector orfs	
5	4700791828	1	Straight connector orfs	
6	4812114108	1	Bracket	
7	4700791840	2	Elbow adapter 90, O-ring with swivel	
8	4700791838	1	Elbow 90, O-ring with swivel	
9	4700904230	2	Steel plain washer	
10	4700500191	2	Screw M10x14	

A) Used with 35mm side plate.

B) Used with 40mm side plate.

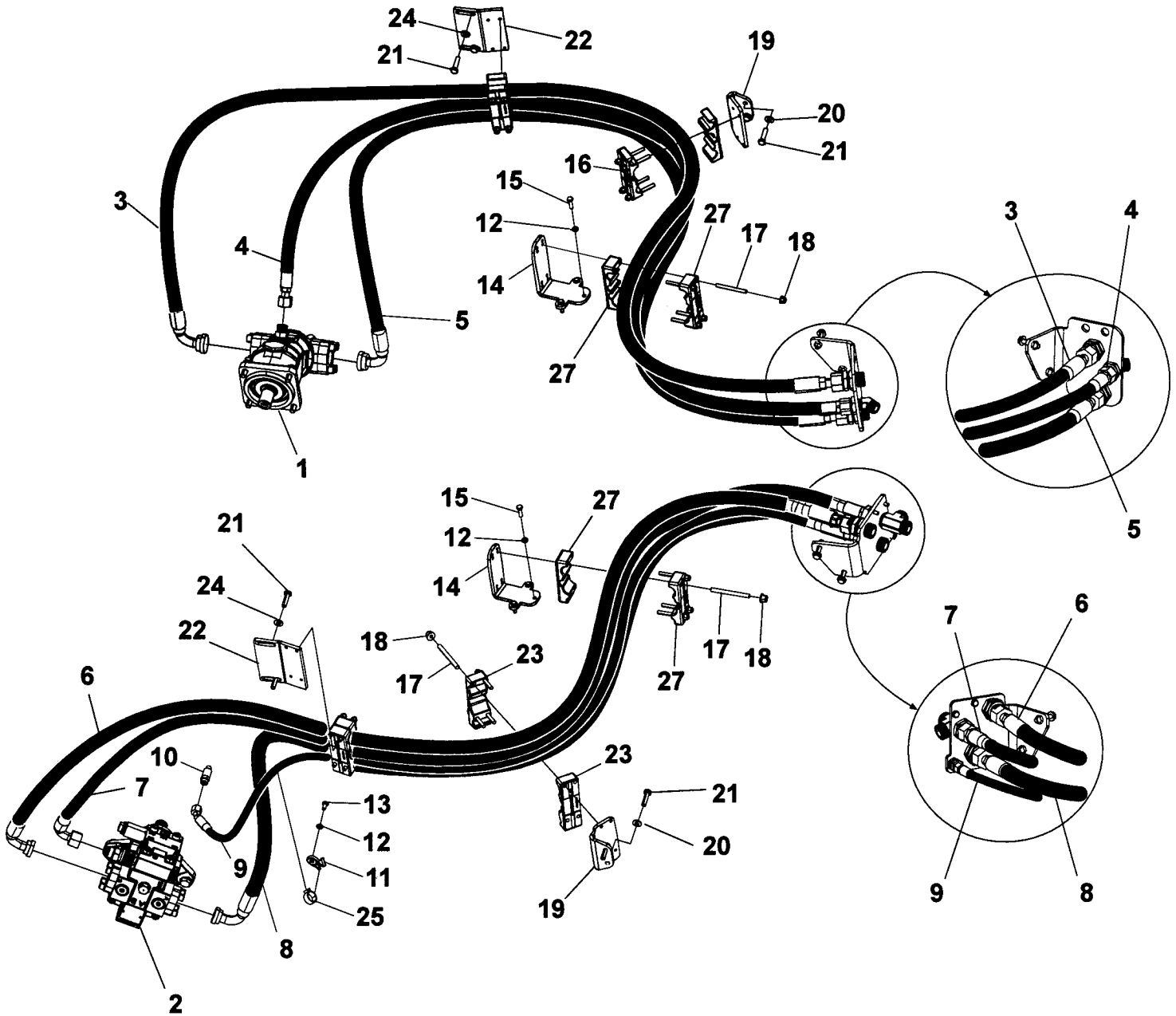
4812113687 Hydraulic valve



**4812113687 Hydraulic valve**

<b>Item</b>	<b>Part No</b>	<b>Rem Qty</b>	<b>Description</b>	<b>Code</b>
1	4812158483	1	Solenoid valve	
2	4812158484	2	Cap head screw	
3		1	Block	

Hydraulic system, drum (PD) Traction control, dual speed



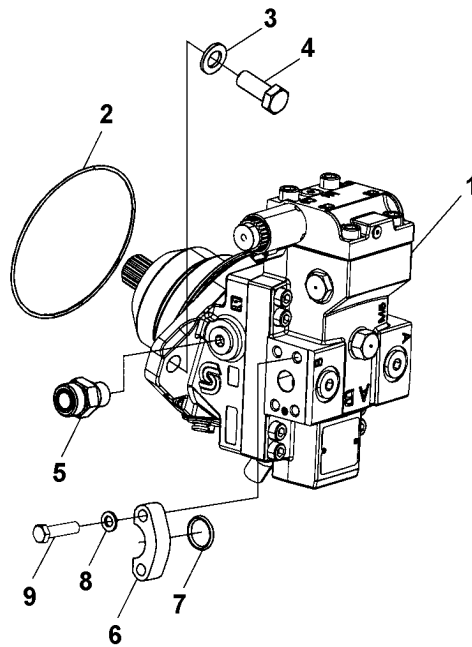


## Hydraulic system, drum (PD) Traction control, dual speed

Item	Part No	Rem	Qty	Description	Code
1		A	1	Hydraulic motor ( Page 170 )	
			1	Hydraulic motor ( Page 180 )	
2			1	Hydraulic motor ( Page 196 )	
3	4812114684	A	1	Hydraulic hose	
	4812114690		1	Hydraulic hose	
4	4812114685	A	1	Hydraulic hose	
	4812114691		1	Hydraulic hose	
5	4812114686	A	1	Hydraulic hose	
	4812114692		1	Hydraulic hose	
6	4812114671		1	Hydraulic hose	
7	4812114670		1	Hydraulic hose	
8	4812114672		1	Hydraulic hose	
9	4812114673		1	Hydraulic hose	
10	4811000416		1	Straight connector orfs	
11	4812117326		1	Cable tie holder	
12	4700904229		7	Steel plain washer 8,4x16x1,5	
13	4700500019		1	Screw M8x16H 8.8 A2K	
14	4812117915		2	Bracket	
15	4700500022		6	Screw M8x30H 8.8	
16	4812112304		4	Hose holder	
17	4700791860		24	Stud	
18	4700902286		24	Hexagon lock nut with flange	
19	4812113963		2	Bracket	
20	4700904230		4	Steel plain washer	
21	4700500028		8	Screw	
22	4812113569		2	Bracket	
23	4812112306		4	Hose holder	
24	4700904557		4	Steel plain washer	
25	4812117325		1	Cable tie	
27	4812116857		4	Hose holder	

A) Compaction data high, option.

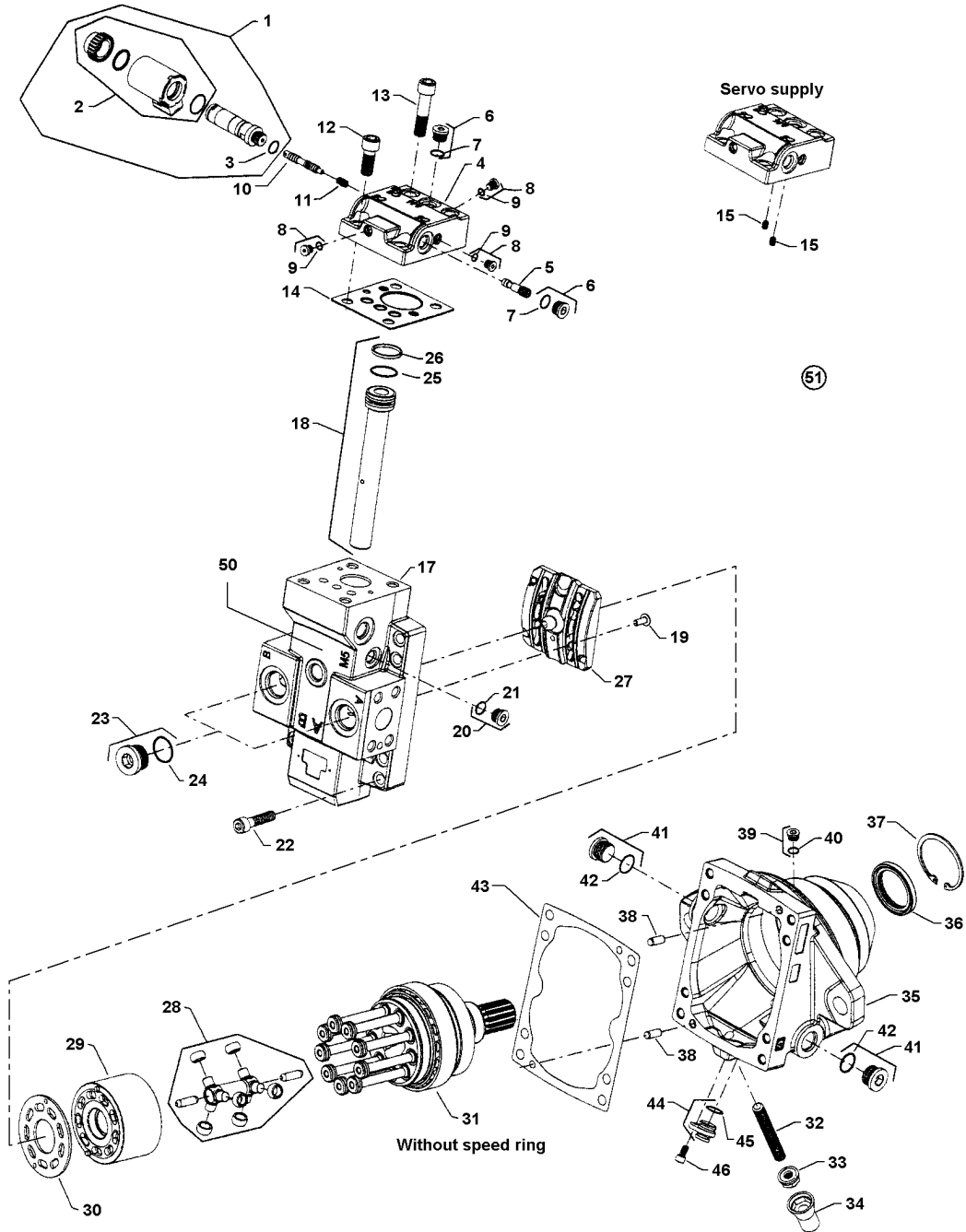
Hydraulic motor



Hydraulic motor

Item	Part No	Rem Qty	Description	Code
1	4812112200	1	Hydraulic motor ( Page 198 )	
2	4700160043	1	O-ring	
3	4700904232	2	Washer	
4	4700500093	2	Screw M16x40	
5	4812115051	1	Straight connector orfs	
6	4700929226	4	Flange half	
7	4700904004	2	O-ring	
8	4700904637	8	Washer	
9	4700500030	8	Screw M10x035H 8.8 A3K	

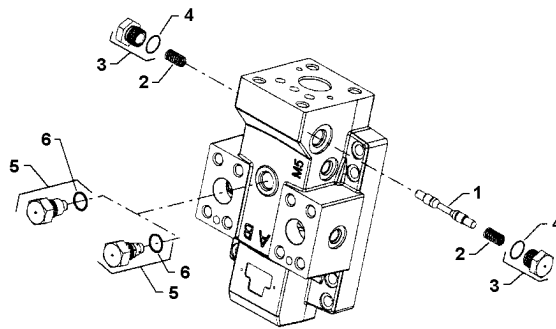
4812112200 Hydraulic motor



## 4812112200 Hydraulic motor

Item	Part No	Rem Qty	Description	Code
1	4812157074	1	Solenoid, on/off 24V	
2	4812157075	1	Coil kit 24V	
3		1	O-ring	
4		1	Control housing, 2 position	
5	4812156999	1	Shuttle valve assembly	
6		2	Plug assembly	
7		2	O-ring	
8		3	Plug assembly	
9		3	O-ring	
10	4812157051	1	Spool	
11	4812157052	1	Spring	
12		2	Screw	
13		2	Screw	
14	4812157053	1	Control seal	
15		1	Orifice plug, 1.2 mm	
		1	Orifice plug, 1.2 mm	
17		1	End cap	
18	4812157054	1	Servo piston	
19		1	Button head screw	
20		1	Plug assembly	
21		1	O-ring	
22		8	Screw	
23		2	Plug assembly	
24		2	O-ring	
25		1	O-ring	
26		1	Piston ring	
27	4812157055	1	Valve segment assembly	
28		1	Synch shaft assembly	
29		1	Cylinder block assembly	
30	4812157056	1	Bearing plate	
31		1	Shaft assembly, 14 tooth, DIN	
32		1	Set screw, 0-19cc, M12x65mm	
33	4700909525	1	Seal nut	
34	4700902996	1	Plastic cap, green	
35		1	Housing, cartridge with speed sensor port	
36	4812157058	1	Lip seal	
37	4812157059	1	Retaining ring	
38		2	Pin	
39		1	Plug assembly	
40		1	O-ring	
41		2	Plug assembly	
42		2	O-ring	
43	4812157064	1	Gasket	
44		1	PPU Plug assembly	
45	4812157057	1	O-ring	
46		1	Screw	
50		1	<b>Loop flushing ( Page 200 )</b>	
51	4812158154	1	Seal kit, cpl	

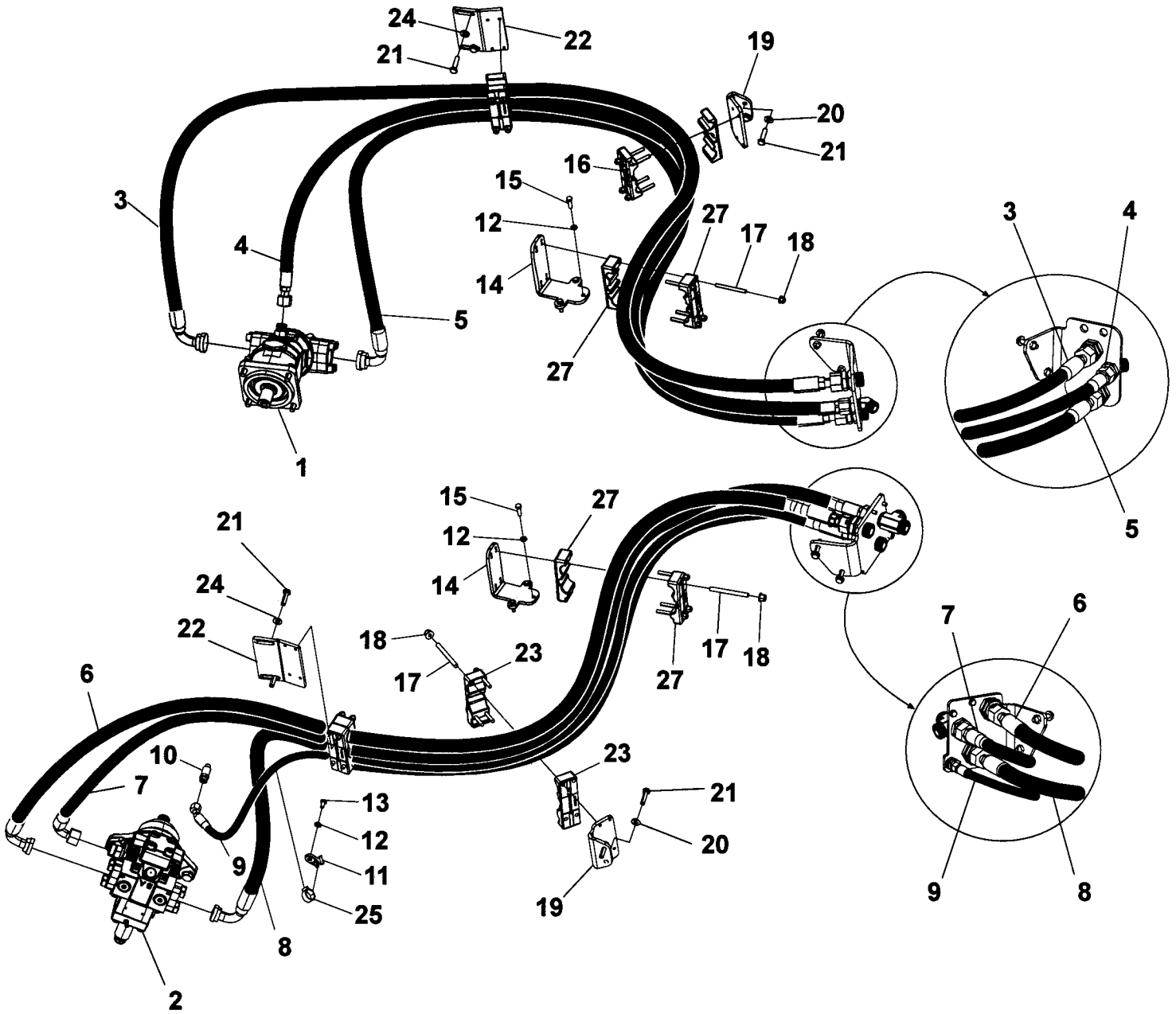
**Loop flushing**



**Loop flushing**

<b>Item</b>	<b>Part No</b>	<b>Rem Qty</b>	<b>Description</b>	<b>Code</b>
1	4812157060	1	Spool	
2	4812157061	2	Spring	
3		2	Plug assembly	
4		2	O-ring	
5	4812157062	1	Loop flushing relief valve 10 l/min	
6	4812157063	1	O-ring	

Hydraulic system, drum Anti-spin system



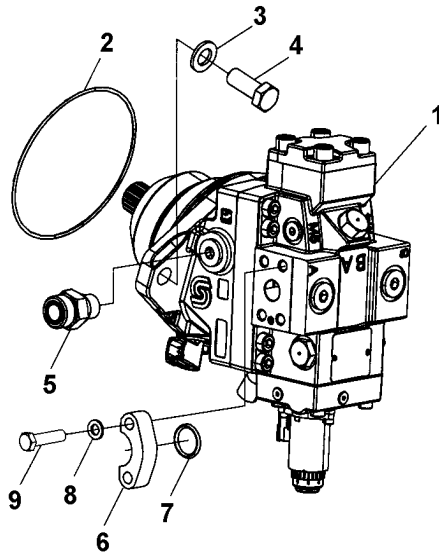


## Hydraulic system, drum Anti-spin system

Item	Part No	Rem	Qty	Description	Code
1		A	1	Hydraulic motor ( Page 170 )	
			1	Hydraulic motor ( Page 180 )	
2			1	Hydraulic motor ( Page 204 )	
3	4812114684	A	1	Hydraulic hose	
	4812114690		1	Hydraulic hose	
4	4812114685	A	1	Hydraulic hose	
	4812114691		1	Hydraulic hose	
5	4812114686	A	1	Hydraulic hose	
	4812114692		1	Hydraulic hose	
6	4812114671		1	Hydraulic hose	
7	4812114670		1	Hydraulic hose	
8	4812114672		1	Hydraulic hose	
9	4812114673		1	Hydraulic hose	
10	4811000416		1	Straight connector orfs	
11	4812117326		1	Cable tie holder	
12	4700904229		7	Steel plain washer 8,4x16x1,5	
13	4700500019		1	Screw M8x16H 8.8 A2K	
14	4812117915		2	Bracket	
15	4700500022		6	Screw M8x30H 8.8	
16	4812112304		4	Hose holder	
17	4700791860		24	Stud	
18	4700902286		24	Hexagon lock nut with flange	
19	4812113963		2	Bracket	
20	4700904230		4	Steel plain washer	
21	4700500028		8	Screw	
22	4812113569		2	Bracket	
23	4812112306		4	Hose holder	
24	4700904557		4	Steel plain washer	
25	4812117325		1	Cable tie	
27	4812116857		4	Hose holder	

A) Compaction data high, option.

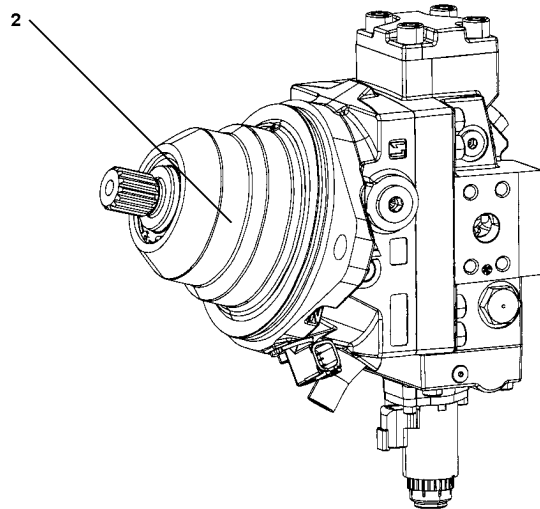
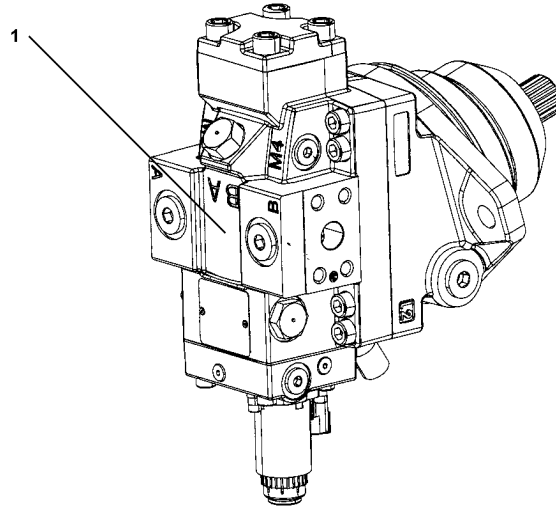
**Hydraulic motor**



## Hydraulic motor

Item	Part No	Rem Qty	Description	Code
1	4812112202	1	<b>Drum motor ( Page 206 )</b>	
2	4700160043	1	O-ring	
3	4700904232	2	Washer	
4	4700500093	2	Screw M16x40	
5	4812115051	1	Straight connector orfs	
6	4700929226	4	Flange half	
7	4700904004	2	O-ring	
8	4700904637	8	Washer	
9	4700500030	8	Screw M10x035H 8.8 A3K	

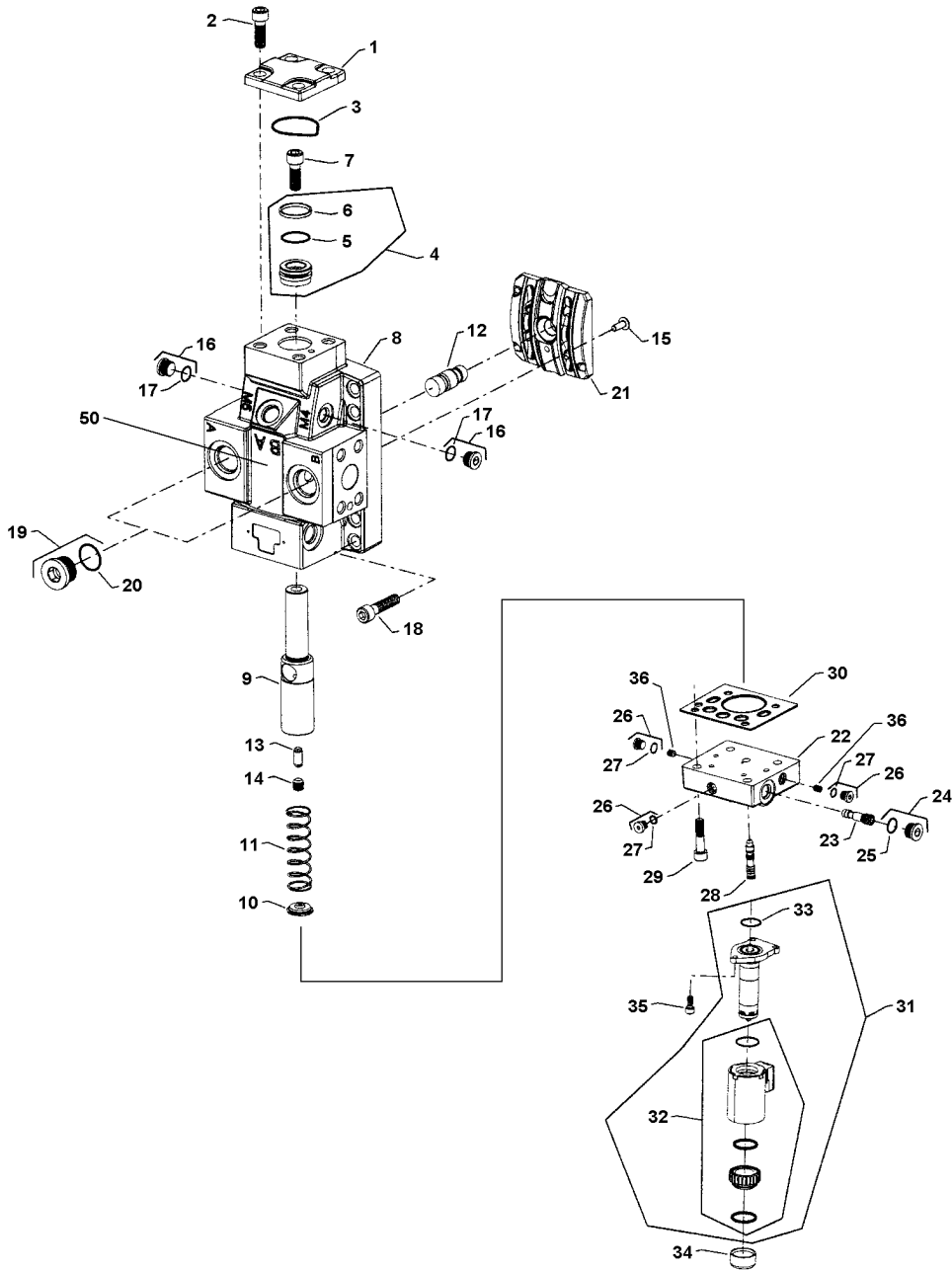
**4812112202 Drum motor**



## 4812112202 Drum motor

Item	Part No	Rem Qty	Description	Code
1		1	Drum motor. Front section ( Page 208 )	
2		1	Drum motor. Rear section ( Page 212 )	
3	4812158154	1	Seal kit, cpl	

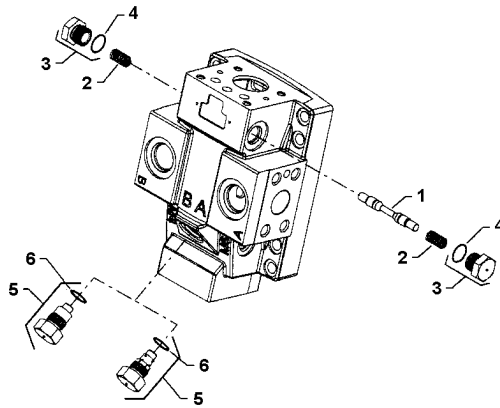
Drum motor. Front section



Drum motor. Front section

Item	Part No	Rem Qty	Description	Code
1		1	Servo piston cover	
2		4	Screw	
3	4812157065	1	O-ring	
4		1	Servo piston assembly	
5	4812157066	1	O-ring	
6	4812157067	1	Piston ring	
7		1	Screw	
8		1	End cap	
9		1	Servo piston	
10		1	Spring guide	
11		1	Spring	
12		1	Setting lug	
13	4812157068	1	Setting lug pin	
14		1	Set screw	
15		1	Button head screw	
16		2	Plug assembly	
17		2	O-ring	
18		8	Screw	
19		2	Plug assembly	
20		2	O-ring	
21	4812157069	1	Valve segment assembly	
22		1	Control housing, proportional	
23	4812156999	1	Shuttle valve assembly	
24		1	Plug assembly	
25		1	O-ring	
26		3	Plug assembly	
27		3	O-ring	
28	4812157070	1	Spool	
29		4	Screw	
30		1	Control seal	
31	4812157071	1	Solenoid proportional valve 24V	
32	4812157072	1	. Coil kit 24V	
33	4812157371	1	. O-ring	
34		1	Plastic cap	
35		3	Screw	
36		2	Orifice plug 1.2 mm	
50		1	<b>Loop flushing ( Page 210 )</b>	

Loop flushing

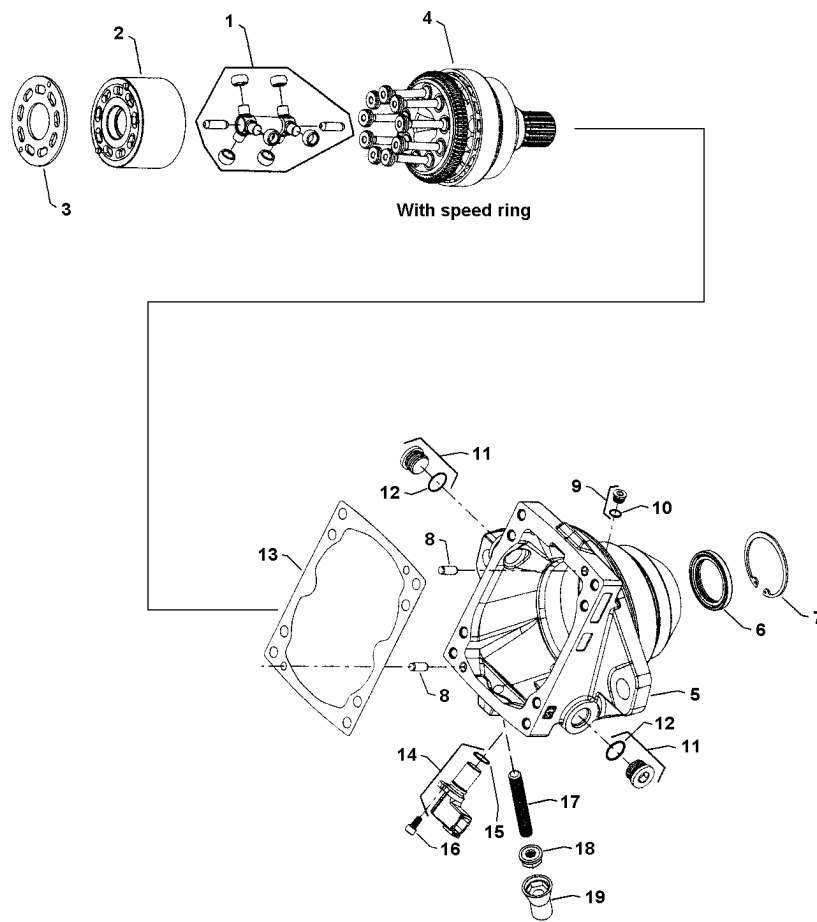




**Loop flushing**

<b>Item</b>	<b>Part No</b>	<b>Rem Qty</b>	<b>Description</b>	<b>Code</b>
1	4812157060	1	Spool	
2	4812157061	2	Spring	
3		2	Plug assembly	
4		2	O-ring	
5	4812157062	1	Loop flushing relief valve 10 l/min	
6	4812157063	1	O-ring	

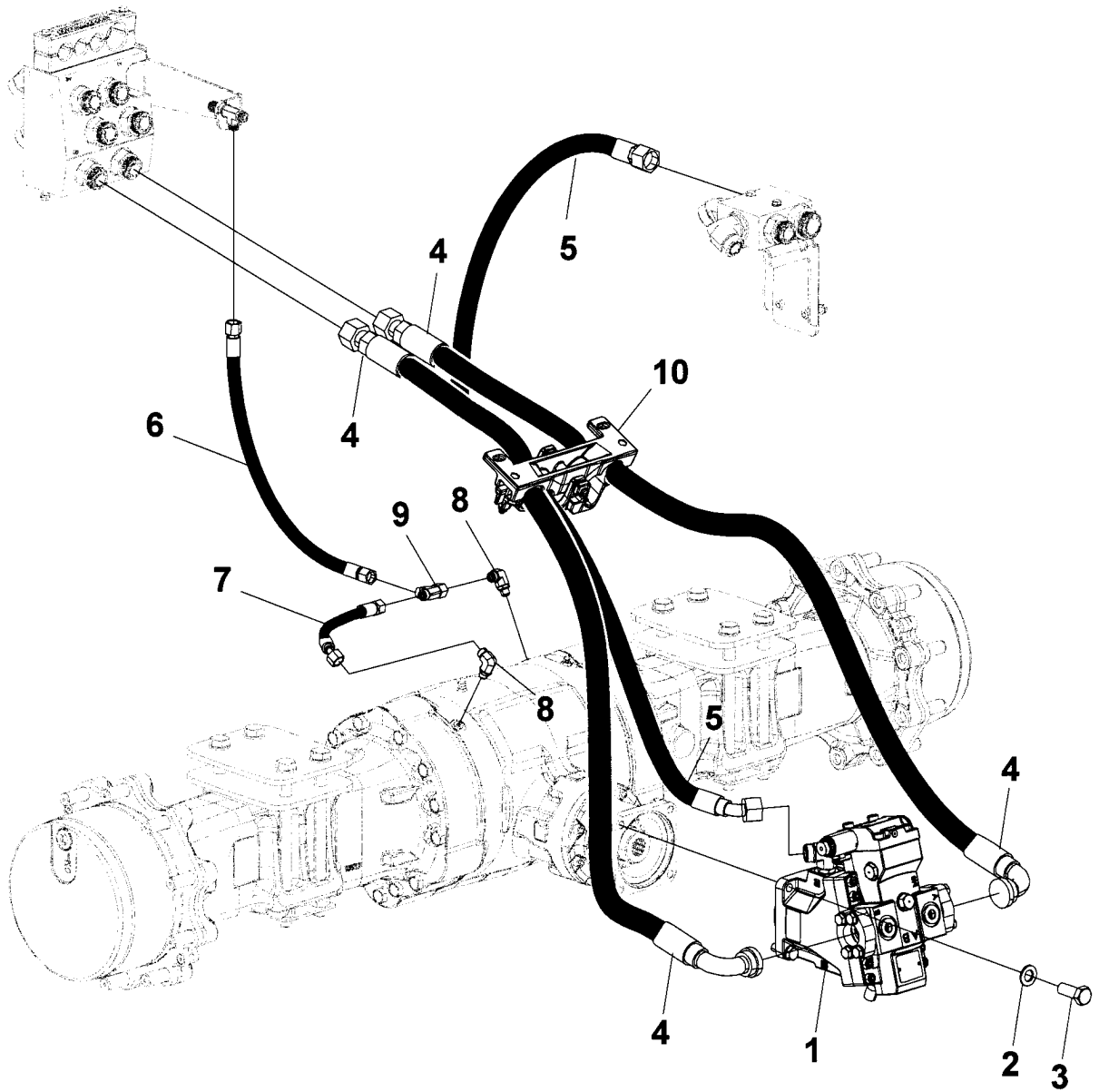
Drum motor. Rear section



**Drum motor. Rear section**

<b>Item</b>	<b>Part No</b>	<b>Rem Qty</b>	<b>Description</b>	<b>Code</b>
1		1	Synch shaft assembly	
2		1	Cylinder block assembly	
3	4812157056	1	Bearing plate	
4		1	Shaft assembly, 14 tooth, DIN, speed ring	
5		1	Housing, cartridge with speed sensor port	
6	4812157058	1	Lip seal	
7	4812157059	1	Retaining ring	
8		2	Pin	
9		1	Plug assembly	
10		1	O-ring	
11		2	Plug assembly	
12		2	O-ring	
13	4812157064	1	Gasket	
14	4812157073	1	Speed sensor	
15	4812157057	1	O-ring	
16		1	Screw	
17		1	Set screw, 0-19 cc, M12x65mm	
18	4700909525	1	Seal nut	
19	4700902996	1	Plastic cap, green	

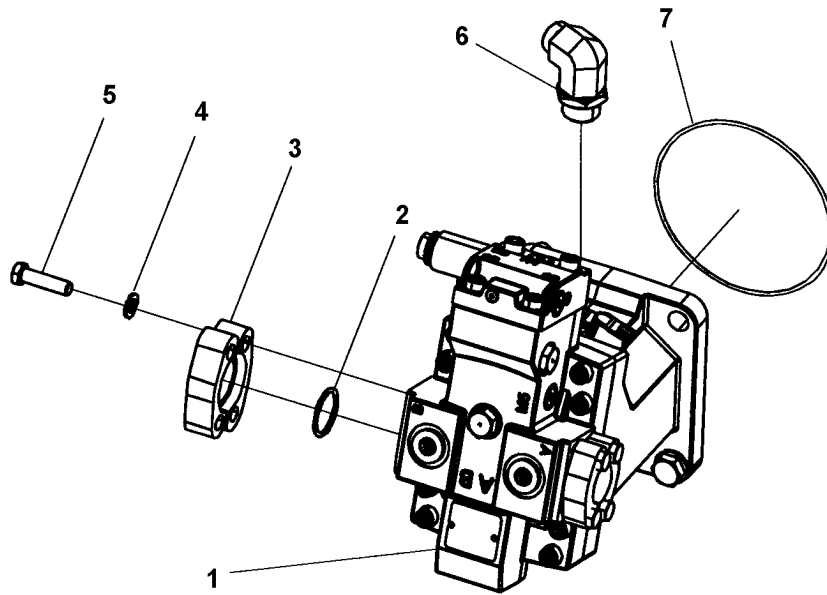
Hydraulic system, rear axle Traction control, limited slip



Hydraulic system, rear axle Traction control, limited slip

Item	Part No	Rem Qty	Description	Code
1		1	<b>Hydraulic motor ( Page 216 )</b>	
2	4700904231	4	Washer 13x24x2 300 HV	
3	4700500194	4	Screw	
4	4812114699	2	Hydraulic hose	
5	4811000230	1	Hydraulic hose	
6	4811000228	1	Hydraulic hose	
7	4811000229	1	Hydraulic hose	
8	4700791846	2	Elbow 90, O-ring with swivel	
9	4700791414	1	T-connection, O-ring with swivel	
10		1	<b>Hose holder ( Page 224 )</b>	

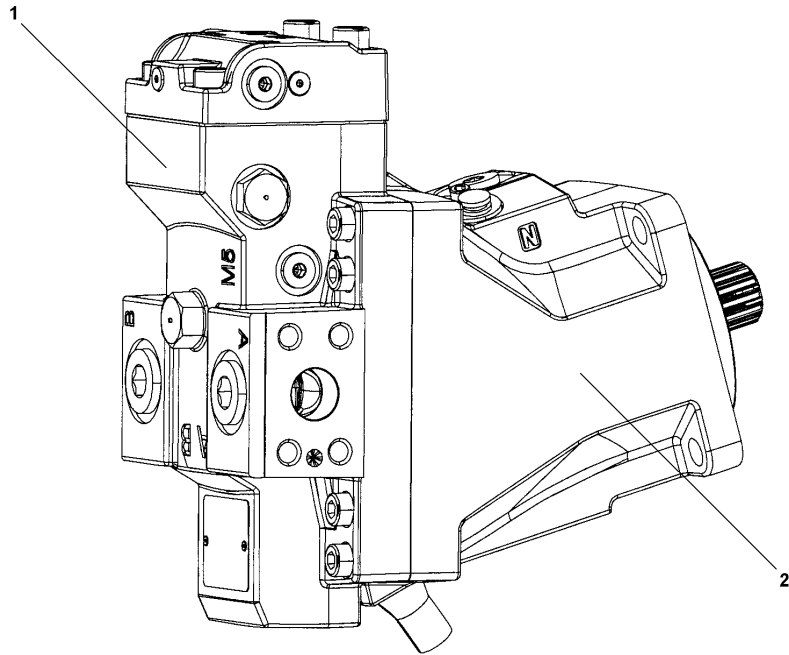
**Hydraulic motor**



Hydraulic motor

Item	Part No	Rem Qty	Description	Code
1	4812112208	1	Rear axle motor ( Page 218 )	
2	4700904005	2	O-ring	
3	4700923384	4	Flange half	
4	4700904638	8	Washer 12x22x2	
5	4700928791	8	Screw	
6	4700791838	1	Elbow 90, O-ring with swivel	
7	4700160132	1	O-ring 124, 50x3, 00	

**4812112208 Rear axle motor**

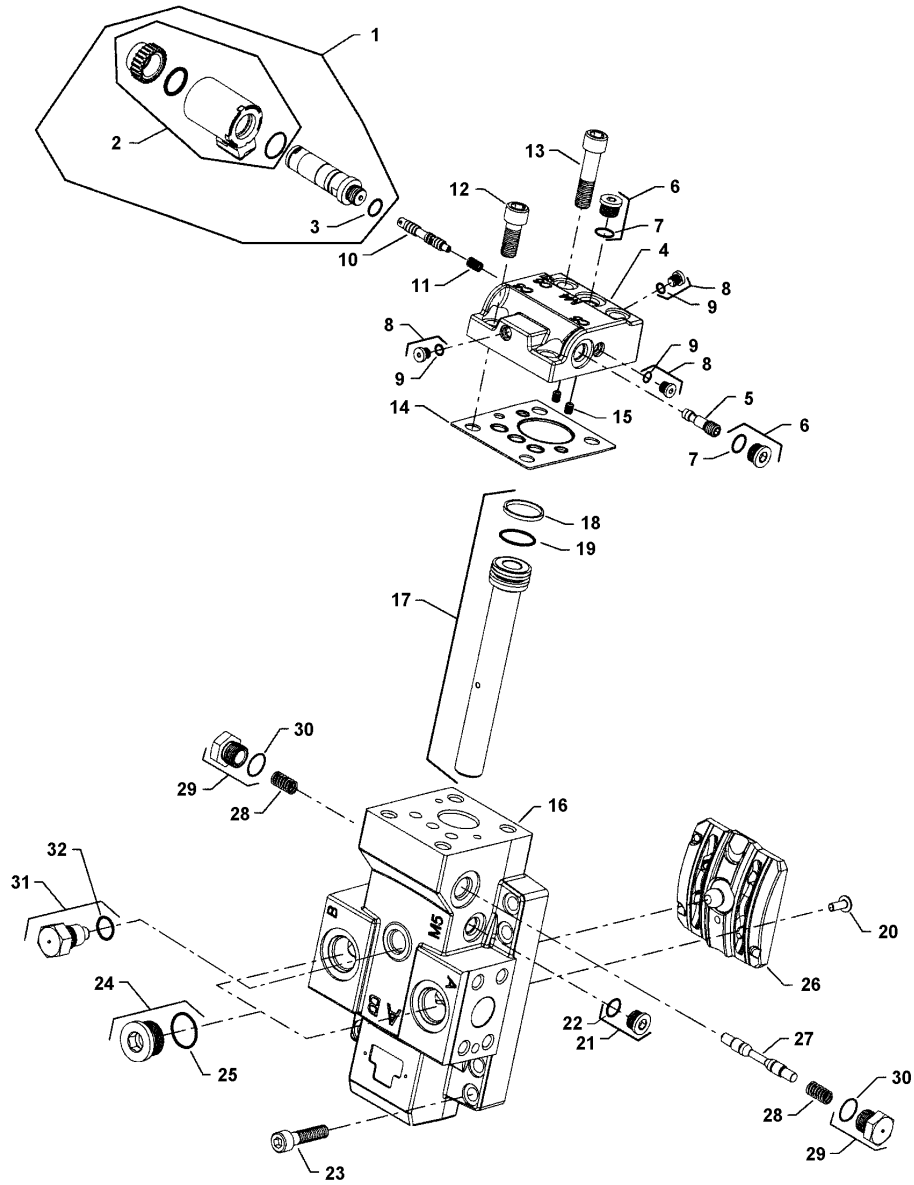




## 4812112208 Rear axle motor

Item	Part No	Rem Qty	Description	Code
1		1	Front section ( Page 220 )	
2		1	Rear section ( Page 222 )	
3	4812158273	1	Seal kit, cpl	

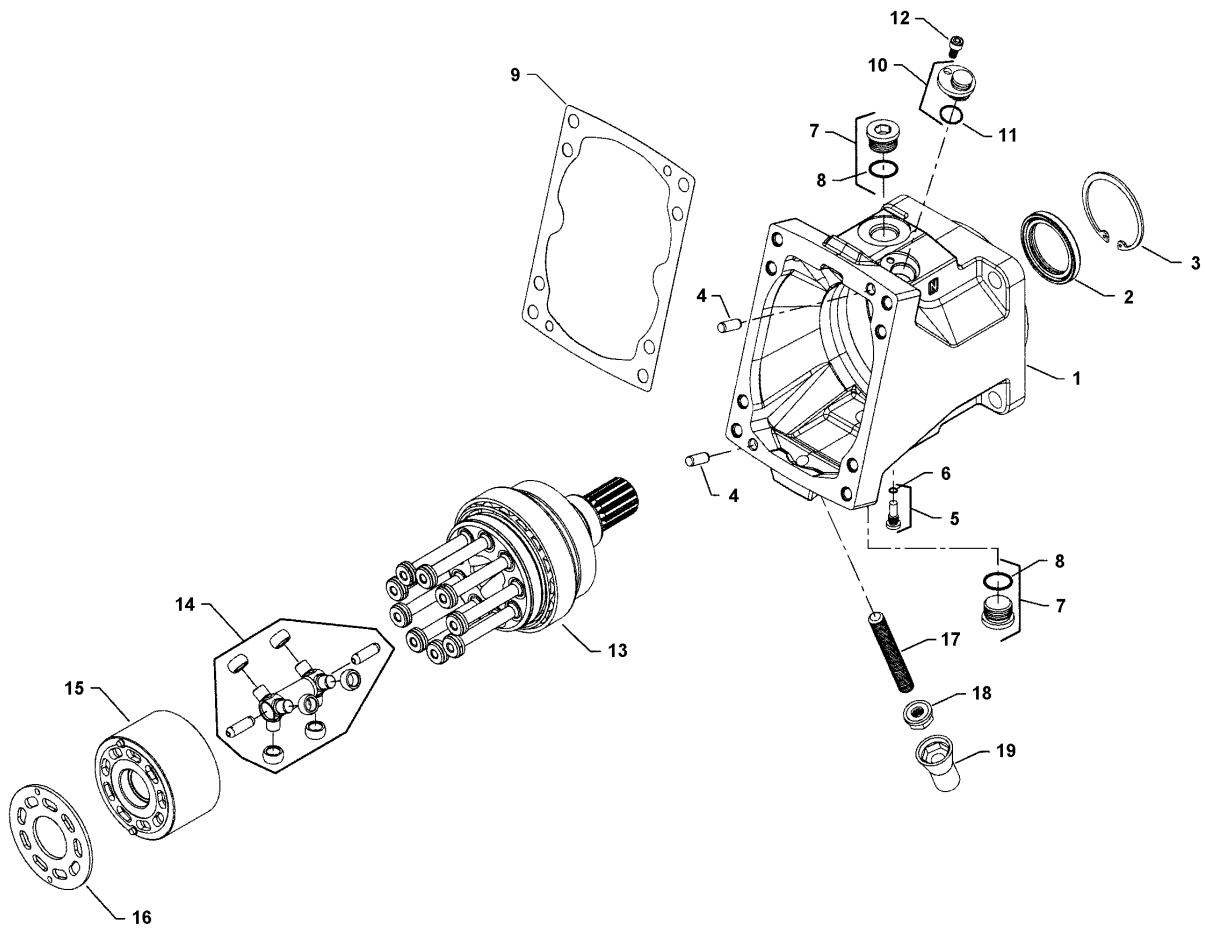
Front section



## Front section

Item	Part No	Rem Qty	Description	Code
1	4812157074	1	Solenoid, on/off 24V	
2	4812157075	1	. Coil kit 24V	
3		1	. O-ring	
4		1	Control housing, 2 position	
5	4812156999	1	Shuttle valve assembly	
6		2	Plug assy	
7		2	. O-ring	
8		3	Plug assy	
9		3	. O-ring	
10	4812157051	1	Spool	
11	4812157052	1	Spring	
12		2	Screw	
13		2	Screw	
14	4812157053	1	Control seal	
15		2	Orifice plug	
16		1	End cap	
17	4812158270	1	Servo piston	
18		1	. Piston ring	
19		1	. O-ring	
20		1	Button head screw	
21		1	Plug assy	
22		1	. O-ring	
23		8	Screw	
24		2	Plug assy	
25		2	. O-ring	
26	4812158271	1	Valve segment assembly	
27	4812157060	1	Spool	
28	4812157061	2	Spring	
29		2	Plug assy	
30		2	. O-ring	
31	4812157062	1	Loop flushing relief valve 10 l/min	
32	4812157063	1	. O-ring	

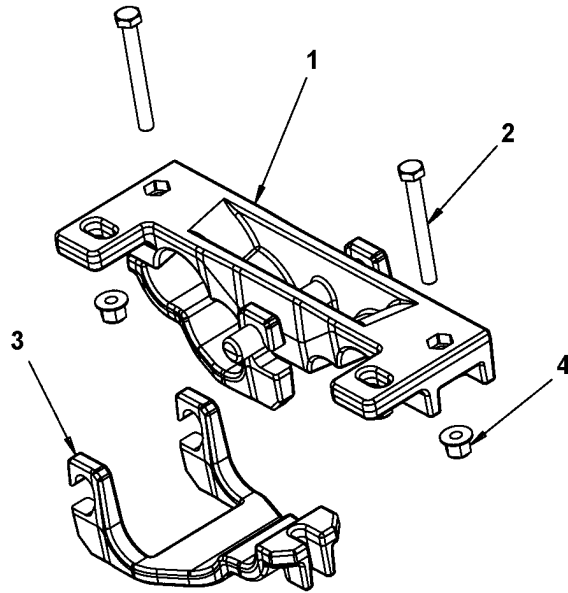
Rear section



**Rear section**

<b>Item</b>	<b>Part No</b>	<b>Rem Qty</b>	<b>Description</b>	<b>Code</b>
1		1	Housing	
2	4812157058	1	Lip seal	
3	4812157059	1	Retaining ring	
4		2	Pin	
5		1	Shaft locating plug assy	
6		1	. O-ring	
7		2	Plug assy	
8		2	. O-ring	
9	4812158274	1	Gasket	
10		1	PPU Plug assy	
11	4812157057	1	. O-ring	
12		1	Screw	
13		1	Shaft assembly, 14 tooth	
14		1	Synch shaft assembly	
15		1	Cylinder block assy	
16	4812158272	1	Bearing plate	
17		1	Set screw	
18	4700909525	1	Seal nut	
19	4700902996	1	Plastic cap, green	

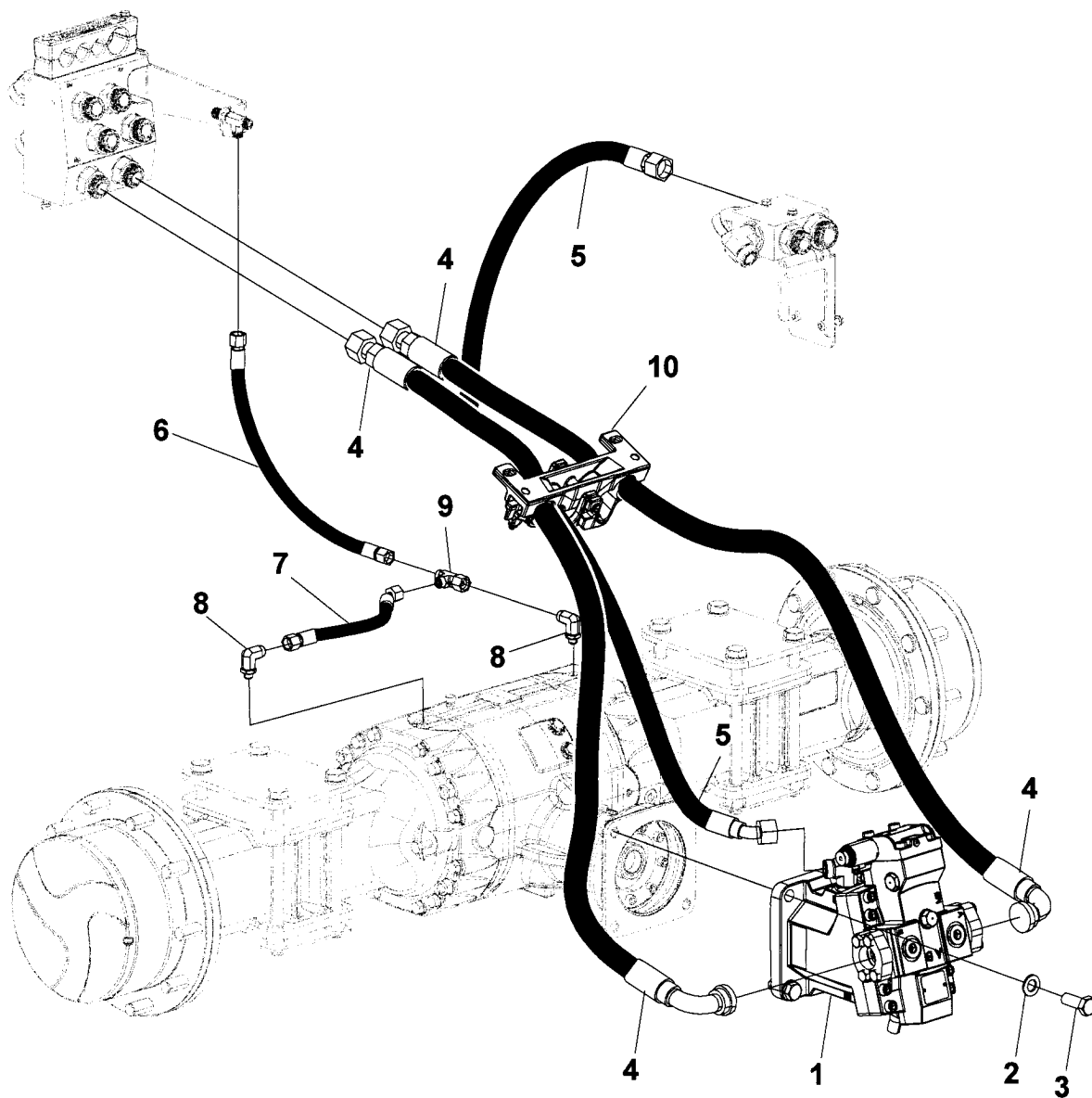
**Hose holder**



## Hose holder

Item	Part No	Rem Qty	Description	Code
1	4812114652	1	Hose holder	
2	4700500189	2	Screw	
3	4812114622	2	Hose holder	
4	4700902286	4	Hexagon lock nut with flange	

Hydraulic system, rear axle Traction control, no slip

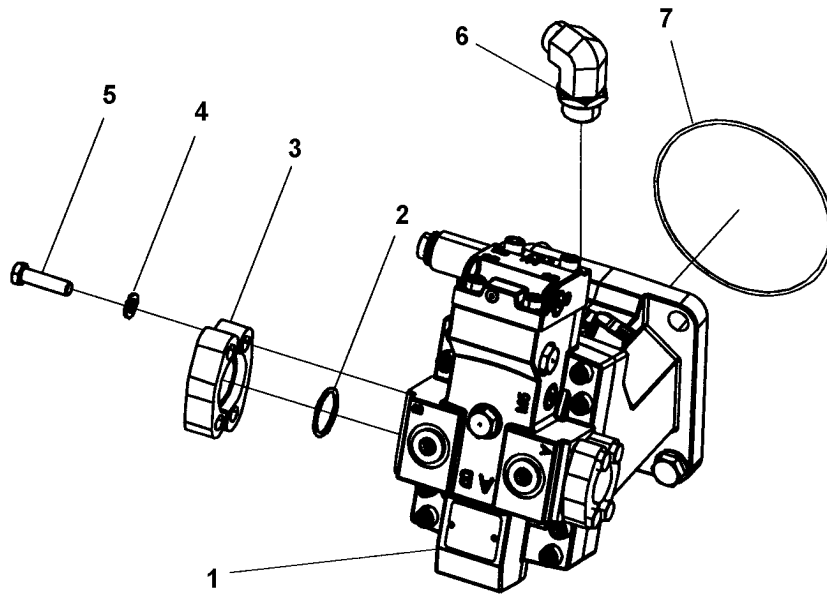




Hydraulic system, rear axle Traction control, no slip

Item	Part No	Rem Qty	Description	Code
1		1	<b>Hydraulic motor ( Page 228 )</b>	
2	4700904793	4	Washer 19x34x3	
3	4811000310	4	Hexagon head screw	
4	4812114699	2	Hydraulic hose	
5	4811000230	1	Hydraulic hose	
6	4811000228	1	Hydraulic hose	
7	4811000229	1	Hydraulic hose	
8	4811000086	2	Elbow 90 orfs	
9	4700791414	1	T-connection, O-ring with swivel	
10		1	<b>Hose holder ( Page 224 )</b>	

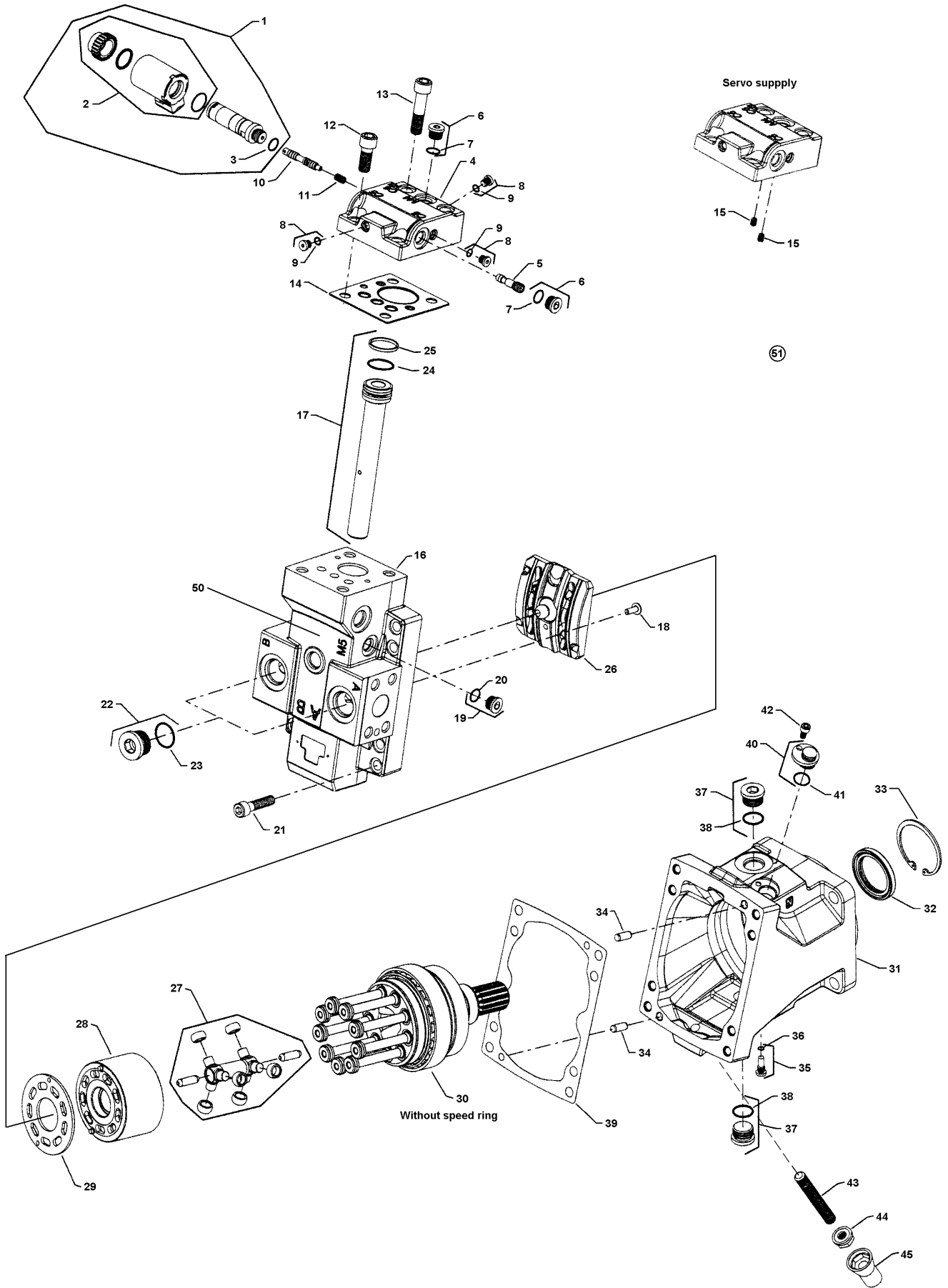
**Hydraulic motor**



Hydraulic motor

Item	Part No	Rem Qty	Description	Code
1	4812112211	1	Rear axle motor ( Page 230 )	
2	4700904005	2	O-ring	
3	4700923384	4	Flange half	
4	4700904638	8	Washer 12x22x2	
5	4700928791	8	Screw	
6	4700791231	1	Elbow 90°	
7	4700160043	1	O-ring	

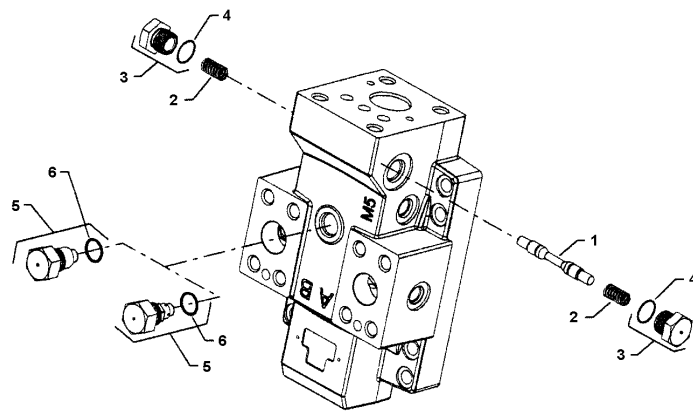
4812112211 Rear axle motor



## 4812112211 Rear axle motor

Item	Part No	Rem Qty	Description	Code
1	4812157074	1	Solenoid, on/off 24V	
2	4812157075	1	Coil kit 24V	
3		1	O-ring	
4		1	Control housing, 2 position	
5	4812156999	1	Shuttle valve assembly	
6		2	Plug assembly	
7		2	O-ring	
8		3	Plug assembly	
9		3	O-ring	
10	4812157051	1	Spool	
11	4812157052	1	Spring	
12		2	Screw	
13		2	Screw	
14	4812157053	1	Control seal	
15		2	Orifice plug, 1.2 mm	
16		1	End cap	
17	4812157076	1	Servo piston	
18		1	Button head screw	
19		1	Plug assembly	
20		1	O-ring	
21		8	Screw	
22		2	Plug assembly	
23		2	O-ring	
24		1	O-ring	
25		1	Piston ring	
26	4812157077	1	Valve segment assembly	
27		1	Synch shaft assembly	
28		1	Cylinder block assembly	
29	4700902930	1	Bearing plate	
30		1	Shaft assembly, 13 tooth, 8/12 pitch	
31		1	Housing, SAE flange with speed sensor port	
32	4700945757	1	Shaft seal 55x70x7	
33	4812157078	1	Retaining ring	
34		2	Pin	
35		1	Shaft locating plug assembly	
36		1	O-ring	
37		2	Plug assembly	
38		2	O-ring	
39	4812157079	1	Gasket	
40		1	PPU Plug assembly	
41	4812157057	1	O-ring	
42		1	Screw	
43		1	Set screw, 32-60cc, M12x90mm	
44	4700909525	1	Seal nut	
45	4700902996	1	Plastic cap, green	
50		1	<b>Loop flusing ( Page 232 )</b>	
51	4812158153	1	Seal kit,cpl	

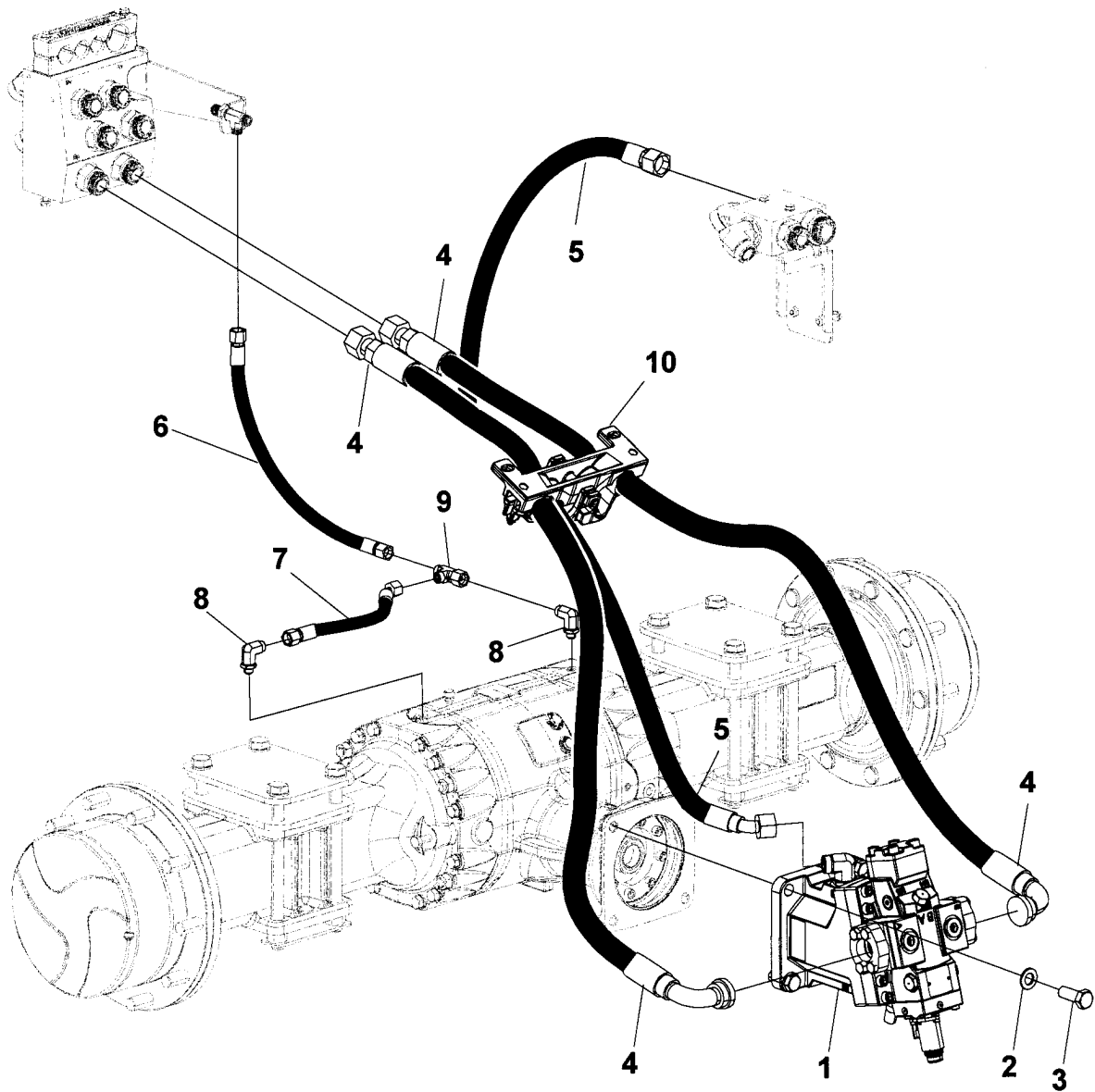
**Loop flusing**



**Loop flusing**

<b>Item</b>	<b>Part No</b>	<b>Rem Qty</b>	<b>Description</b>	<b>Code</b>
1	4812157060	1	Spool	
2	4812157061	2	Spring	
3		2	Plug assembly	
4		2	O-ring	
5	4812157062	1	Loop flushing relief valve 10 l/min	
6	4812157063	1	O-ring	

Hydraulic system, rear axle Anti-spin system

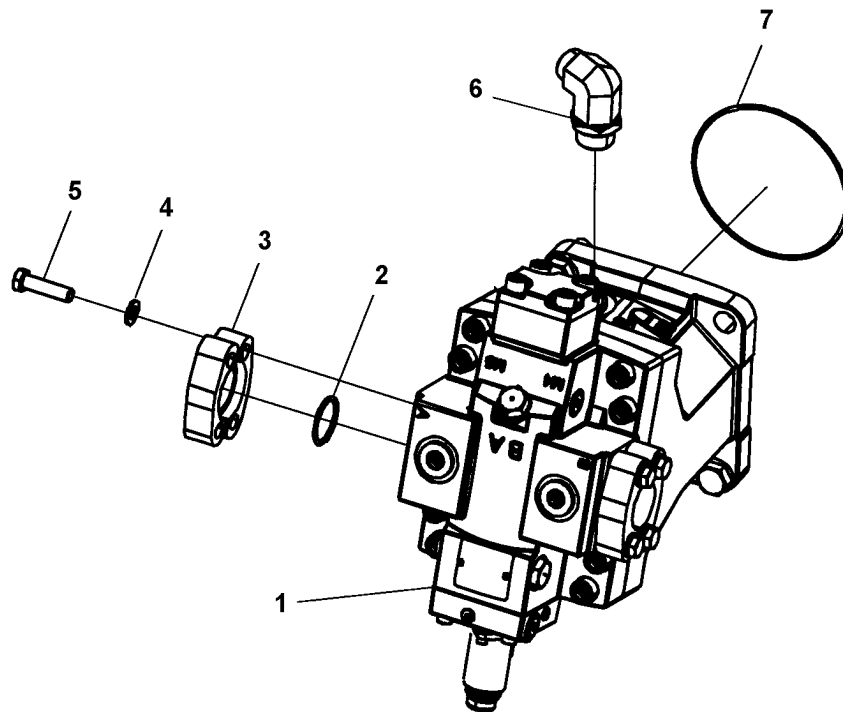




Hydraulic system, rear axle Anti-spin system

Item	Part No	Rem Qty	Description	Code
1		1	<b>Hydraulic motor ( Page 236 )</b>	
2	4700904793	4	Washer 19x34x3	
3	4811000310	4	Hexagon head screw	
4	4812114699	2	Hydraulic hose	
5	4811000230	1	Hydraulic hose	
6	4811000228	1	Hydraulic hose	
7	4811000229	1	Hydraulic hose	
8	4811000086	2	Elbow 90 orfs	
9	4700791414	1	T-connection, O-ring with swivel	
10		1	<b>Hose holder ( Page 224 )</b>	

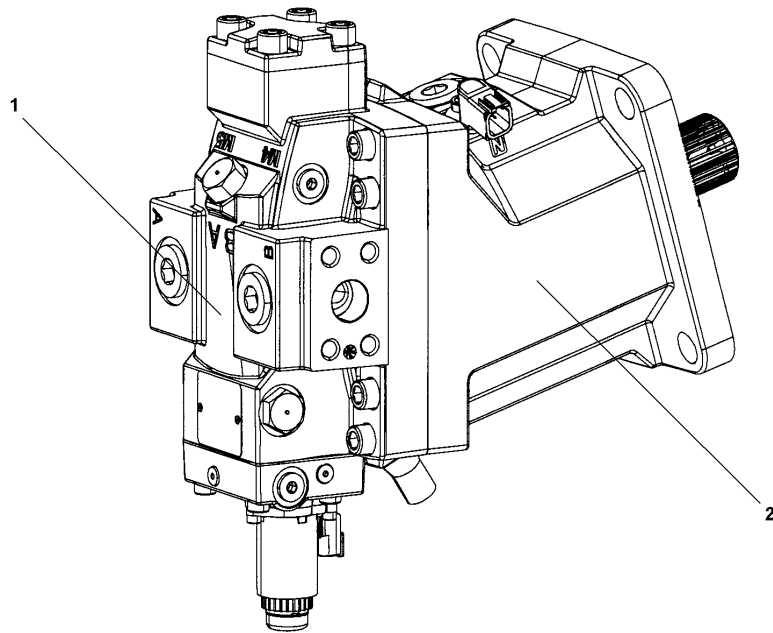
Hydraulic motor



Hydraulic motor

Item	Part No	Rem Qty	Description	Code
1	4812112210	1	Rear axle motor ( Page 238 )	
2	4700904005	2	O-ring	
3	4700923384	4	Flange half	
4	4700904638	8	Washer 12x22x2	
5	4700928791	8	Screw	
6	4700791231	1	Elbow 90°	
7	4700160043	1	O-ring	

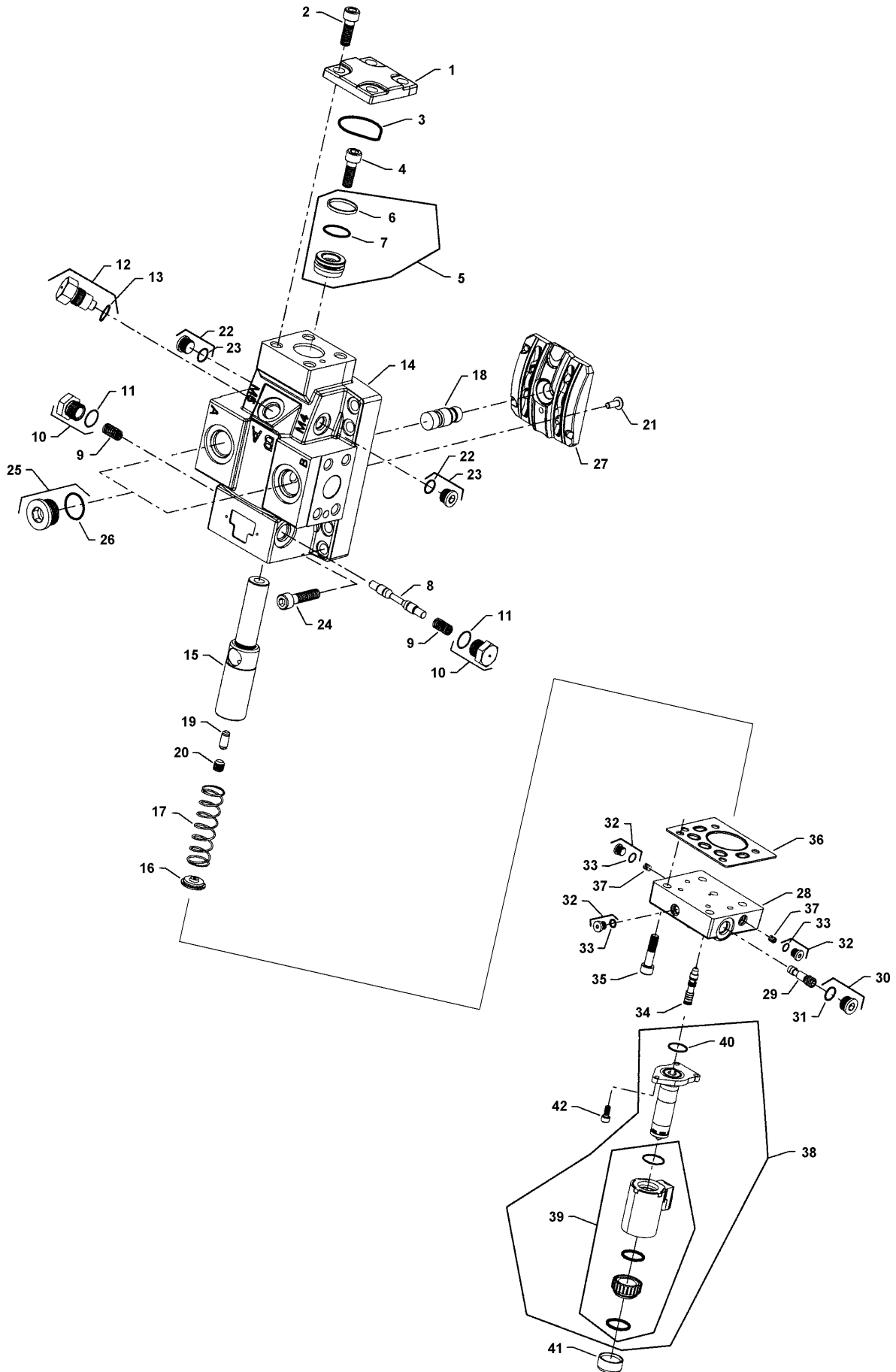
**4812112210 Rear axle motor**



## 4812112210 Rear axle motor

Item	Part No	Rem Qty	Description	Code
1		1	Front section ( Page 240 )	
2		1	Rear section ( Page 242 )	
3	4812158153	1	Seal kit,cpl	

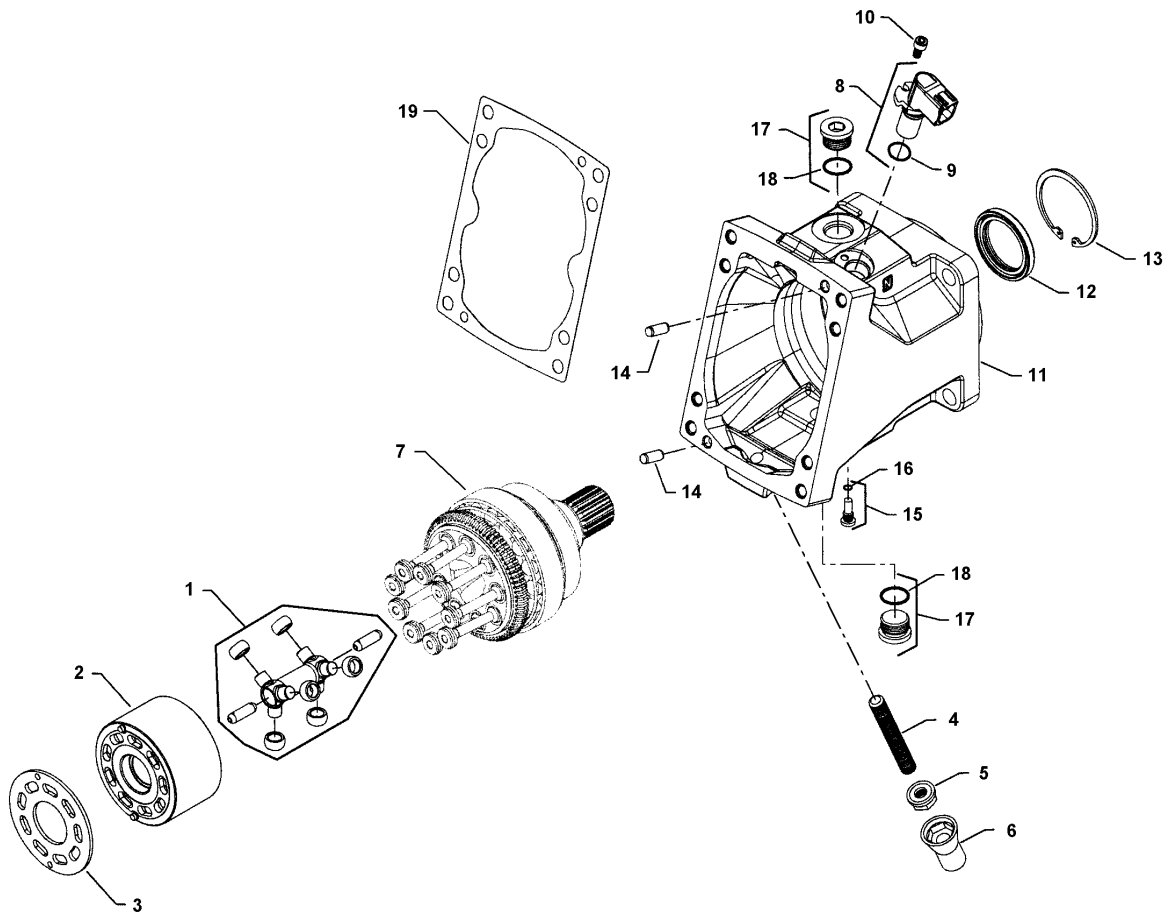
Front section



## Front section

Item	Part No	Rem Qty	Description	Code
1		1	Servo piston cover	
2		4	Screw	
3	4812157065	1	O-ring	
4		1	Screw	
5	4812158266	1	Servo piston assy	
6		1	. . O-ring	
7		1	. . Piston ring	
8	4812157060	1	Spool	
9	4812157061	2	Spring	
10		2	Plug assy	
11		2	. O-ring	
12	4812157062	1	Loop flushing relief valve 10 l/min	
13	4812157063	1	. O-ring	
14		1	End cap	
15		1	Servo piston	
16		1	Spring guide	
17		1	Spring	
18		1	Setting lug	
19		1	Setting lug pin	
20		1	Set screw	
21		1	Button head screw	
22		2	Plug assy	
23		2	. O-ring	
24		8	Screw	
25		2	Plug assy	
26		2	. O-ring	
27	4812158265	1	Valve segment assembly	
28		1	Control housing	
29	4812156999	1	Shuttle valve assembly	
30		1	Plug assy	
31		1	. O-ring	
32		3	Plug assy	
33		3	. O-ring	
34	4812157070	1	Spool	
35		4	Screw	
36	4812157080	1	Control seal	
37		2	Orifice plug, 1,2 mm	
38	4812157071	1	Solenoid proportional valve 24V	
39	4812157072	1	. Coil kit 24V	
40	4812157371	1	. O-ring	
41		1	Plastic cap	
42		3	Screw	

Rear section

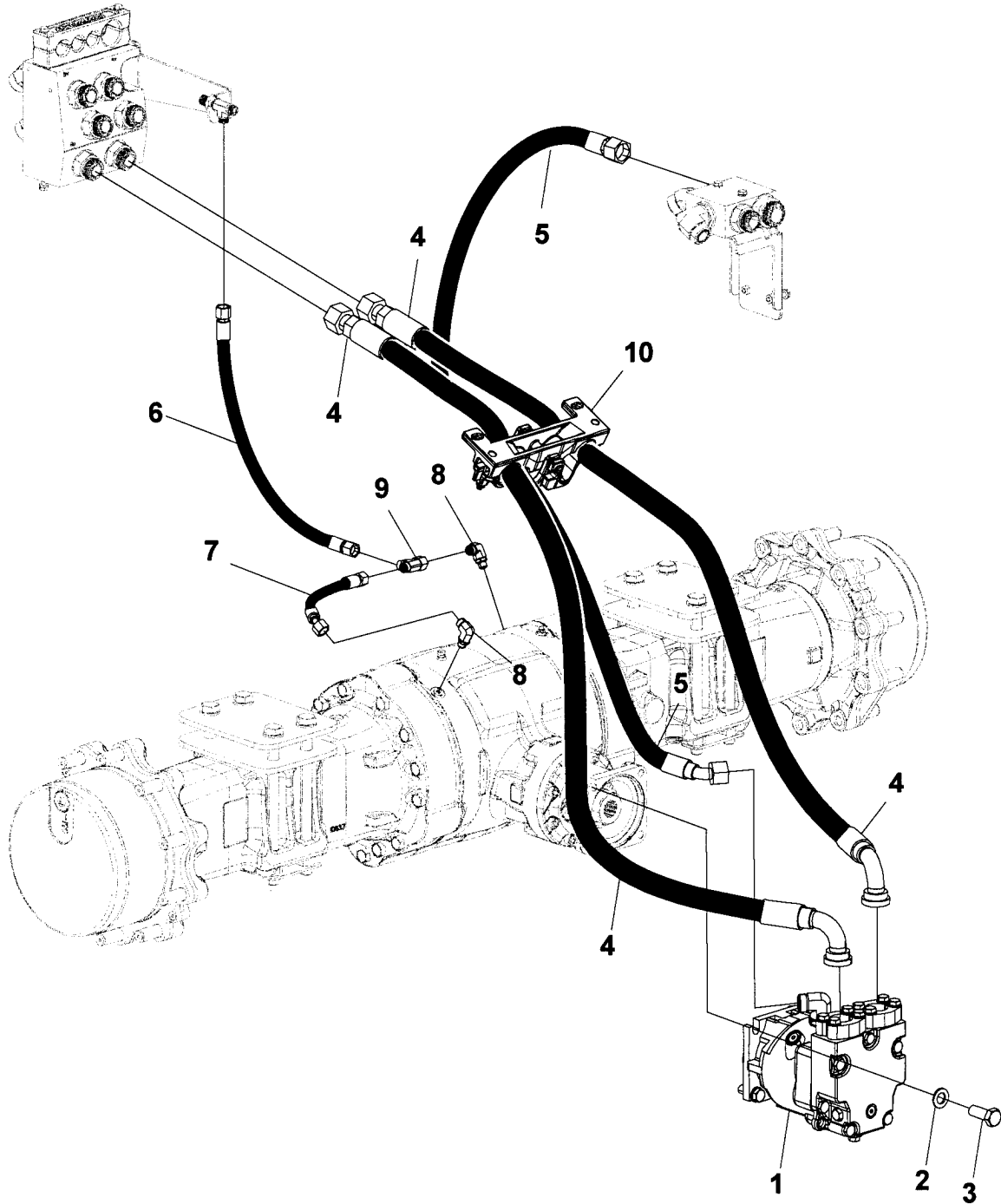




**Rear section**

<b>Item</b>	<b>Part No</b>	<b>Rem Qty</b>	<b>Description</b>	<b>Code</b>
1		1	Synch shaft assy	
2		1	Cylinder block assy	
3	4700902930	1	Bearing plate	
4		1	Set screw	
5	4700909525	1	Seal nut	
6	4700902996	1	Plastic cap, green	
7		1	Shaft assy, 13 tooth	
8	4812157073	1	Speed sensor	
9	4812157057	1	. O-ring	
10		1	Screw	
11		1	Housing	
12	4700945757	1	Shaft seal 55x70x7	
13	4812157078	1	Retaining ring	
14		2	Pin	
15		1	Shaft locating plug assy	
16		1	. O-ring	
17		2	Plug assy	
18		2	. O-ring	
19	4812157079	1	Gasket	

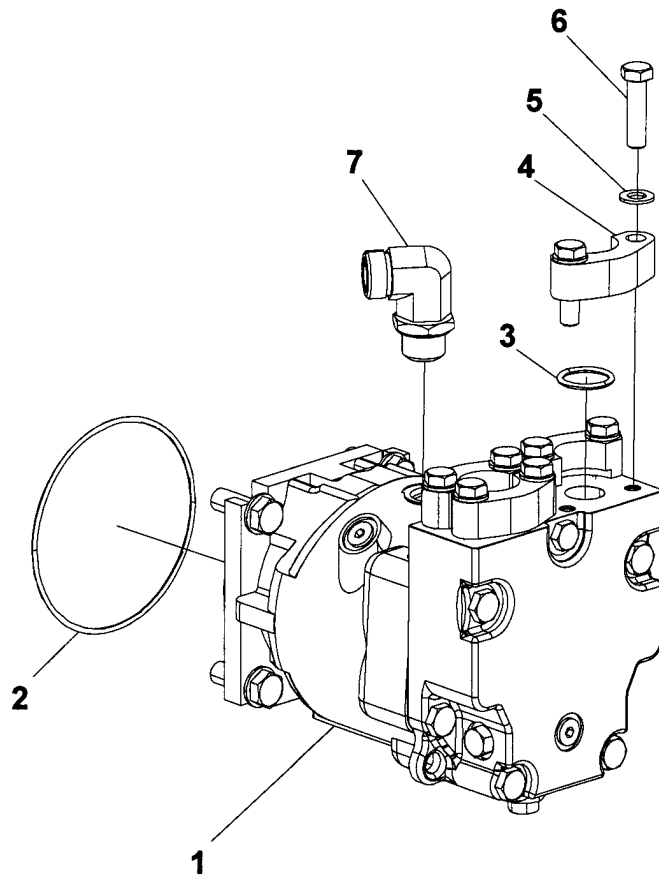
Hydraulic system, rear axle Dual speed



Hydraulic system, rear axle Dual speed

Item	Part No	Rem Qty	Description	Code
1		1	<b>Hydraulic motor ( Page 246 )</b>	
2	4700904231	4	Washer 13x24x2 300 HV	
3	4700500194	4	Screw	
4	4812114700	2	Hydraulic hose	
5	4811000230	1	Hydraulic hose	
6	4811000228	1	Hydraulic hose	
7	4812110229	1	Screw M12x50	
8	4700791846	2	Elbow 90, O-ring with swivel	
9	4700791414	1	T-connection, O-ring with swivel	
10		1	<b>Hose holder ( Page 224 )</b>	

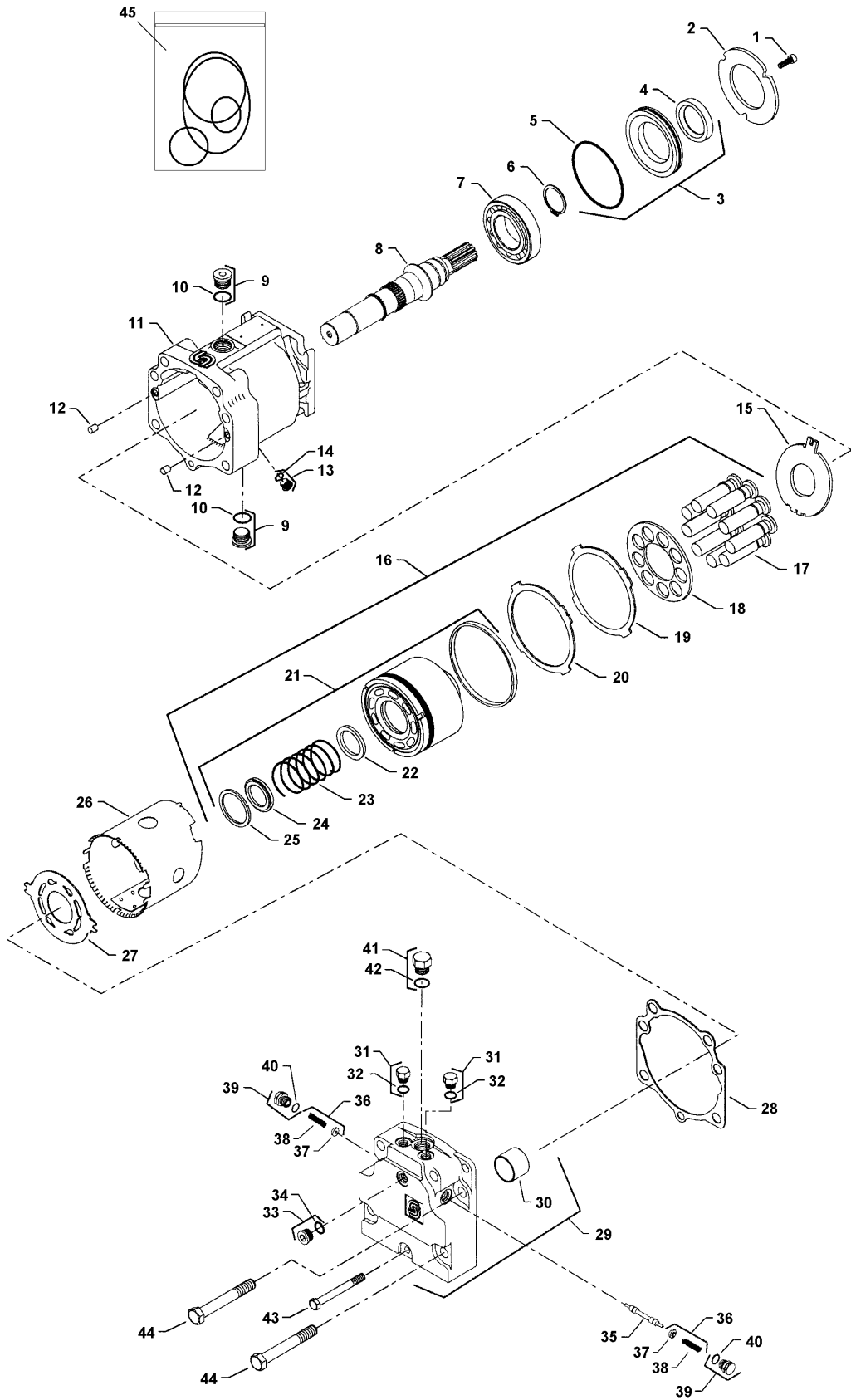
**Hydraulic motor**



Hydraulic motor

Item	Part No	Rem Qty	Description	Code
1	4812112207	1	<b>Axle motor ( Page 248 )</b>	
2	4700160132	1	O-ring 124, 50x3, 00	
3	4700904005	2	O-ring	
4	4700923384	4	Flange half	
5	4700904638	8	Washer 12x22x2	
6	4700928791	8	Screw	
7	4700791231	1	Elbow 90°	

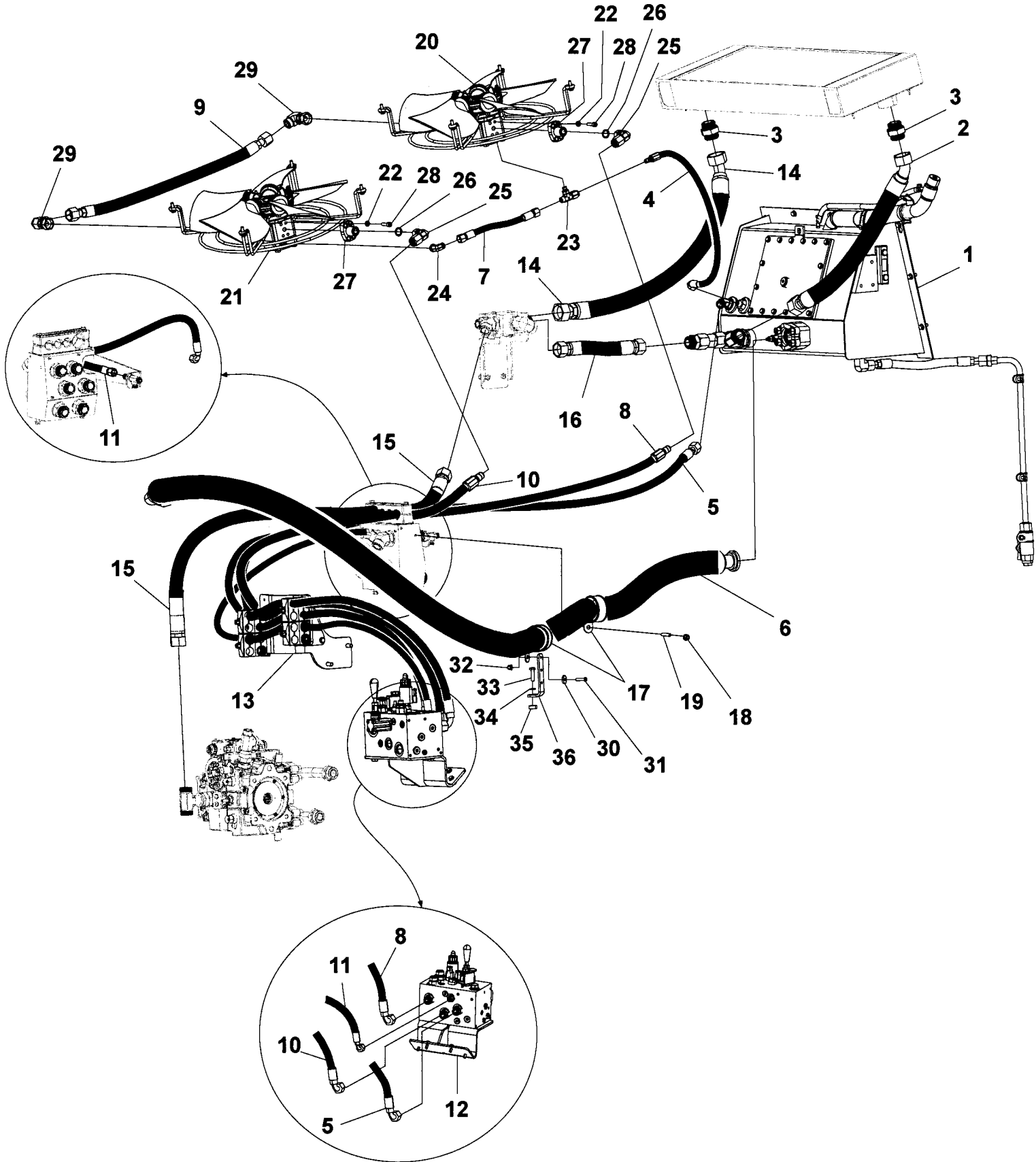
4812112207 Axle motor



4812112207 Axle motor

Item	Part No	Rem Qty	Description	Code
	4812112207	1	<b>Axle motor ( Page 248 )</b>	
1		3	. Screw	
2		1	. Retainer plate	
3		1	. Seal assy	
4	4700901327	1	. . Lip seal	
5	4700935633	1	. . O-ring	
6		1	. Retaining ring	
7	4700901465	1	. Bearing	
8	4812158456	1	. Shaft 14 tooth spline	
9		2	. Plug assy	
10		2	. . O-ring	
11		1	. Housing	
12		2	. Pin	
13		1	. Plug assy	
14		1	. . O-ring	
15		1	. Thrust plate	
16	4812158454	1	. Cylinder block kit	
17		9	. . Piston assy	
18		1	. . Slipper guide	
19		1	. . Slipper guide retainer	
20		1	. . Slipper guide retainer spacer	
21		1	. . Cylinder block assy	
22		1	. . . Spring seat	
23		1	. . . Cylinder block spring	
24		1	. . . Spring retainer	
25		1	. . . Retaining ring	
26		1	. Hold down tube	
27	4700935626	1	. Valve plate	
28	4812158453	1	. End cap gasket	
29		1	. End cap assy, twin ports	
30	4812158455	1	. . Journal bearing	
31		2	. . Plug assy	
32		2	. . . O-ring	
33		1	. . Plug assy	
34		1	. . . O-ring	
35		1	. Loop flushing spool	
36		2	. Spring guide assy	
37		2	. . Spring guide	
38		2	. . Spring	
39		2	. Plug assy	
40	4700923087	2	. . O-ring	
41		1	. Plug assy	
42		1	. . O-ring	
43		1	. Screw	
44		4	. Screw	
45	4700937283	1	. Seal kit, cpl	

Hydraulic system, oil tank

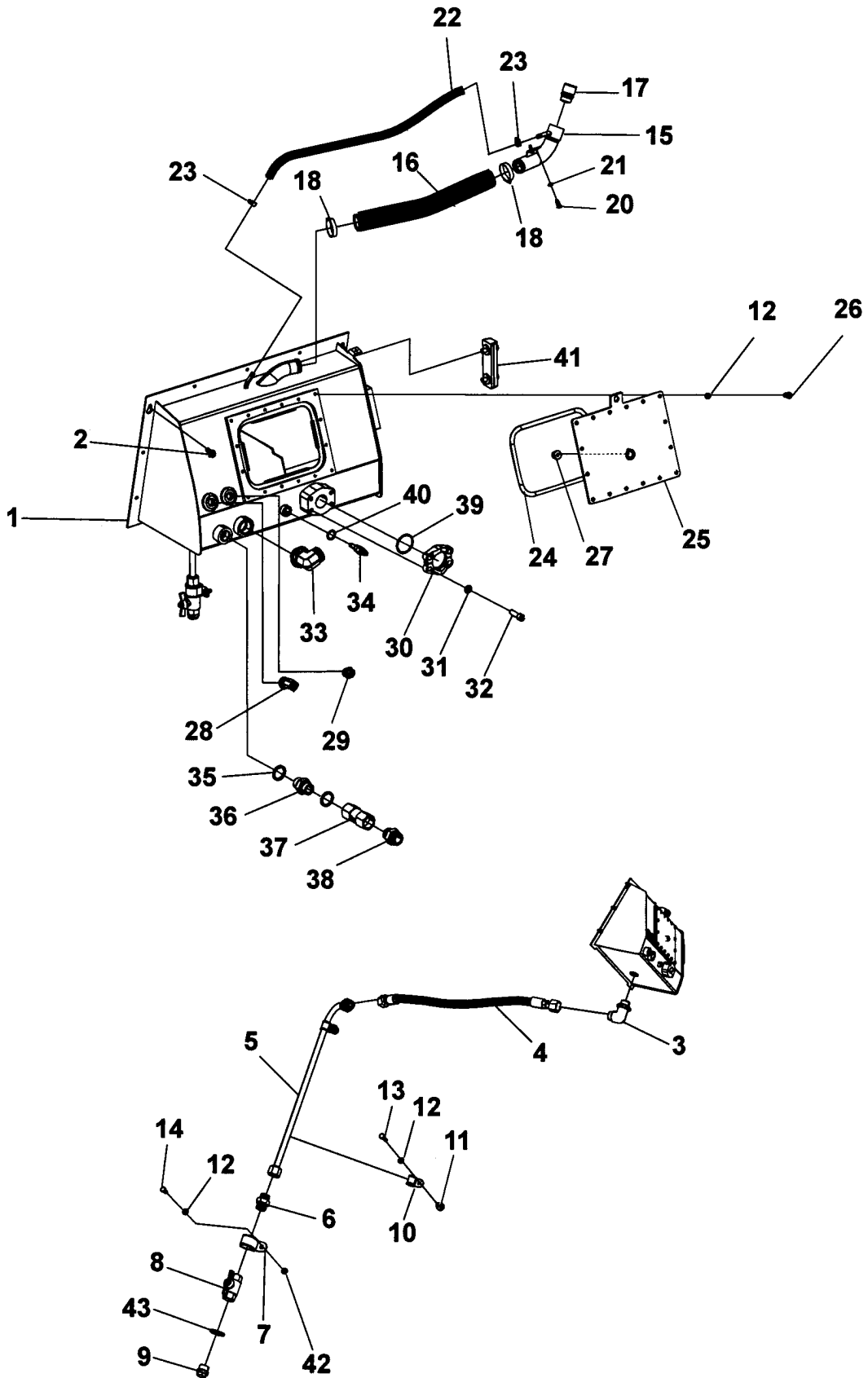




## Hydraulic system, oil tank

Item	Part No	Rem Qty	Description	Code
1		1	<b>Hydraulic oil tank assembly ( Page 252 )</b>	
2	4811000197	1	Hydraulic hose	
3	4812112555	2	Straight connector orfs	
4	4812117451	1	Hydraulic hose upto	
5	4811000214	1	Hydraulic hose	
6	4811000411	1	Hydraulic hose	
7	4811000209	1	Hydraulic hose	
8	4812117448	1	Hydraulic hose upto	
9	4812117702	1	Hydraulic hose	
10	4812117449	1	Hydraulic hose upto	
11	4811000402	1	Hydraulic hose	
12		1	<b>Hydraulic valve module ( Page 254 )</b>	
13		1	<b>Connector assy ( Page 258 )</b>	
14	4811000198	1	Hydraulic hose	
15	4811000403	1	Hydraulic hose	
16	4811000199	1	Hydraulic hose	
17	4700903703	2	Hose clamp	
18	4700902286	1	Hexagon lock nut with flange	
19	4700903768	1	Threaded stud	
20		1	<b>Fan module, front ( Page 260 )</b>	
21		1	<b>Fan module, rear ( Page 264 )</b>	
22	4700904229	16	Steel plain washer 8,4x16x1,5	
23	4812117436	1	Connector upto	
24	0570704101	1	Elbow 90°	
25	4812115064	2	Elbow connector 90°	
26	4700904774	4	O-ring	
27	4812117732	4	Flange connector	
28	4700508048	16	Hexagon socket head cap screw	
29	4700904766	2	Elbow connector 90°	
30	4700904735	1	Washer	
31	4700500075	1	Screw M6-1,0x25 8.8	
32	4700902285	1	Hexagon lock nut with flange	
33	4700500022	1	Screw M8x30H 8.8	
34	4700904229	1	Steel plain washer 8,4x16x1,5	
35	4700388446	1	Spacer	
36	4812112530	1	Bracket	

Hydraulic oil tank assembly



## Hydraulic oil tank assembly

Item	Part No	Rem	Qty	Description	Code
1	4812118960	A	1	Hydraulic oil tank, cpl	
2	4700500505		9	Screw M8x20 8.8	
3	4700792068		1	Elbow 90°	
4	4811000202		1	Hydraulic hose	
5	4812114205		1	Hydraulic pipe	
6	0570702503		1	Straight connector orfs	
7	4700923008		1	Clamp	
8	4700233304		1	Ball valve	
9	4700232039		1	Plug G3/4	
10	4700904346		2	Clamp	
11	4700343748		2	Spacer sleeve	
12	4700904229	D	19	Steel plain washer 8,4x16x1,5	
13	4700500022		2	Screw M8x30H 8.8	
14	4700500053		1	Screw M8x20H 8.8	
15	4812112648		1	Pipe assembly	
16	4812116645		1	Rubber hose	
17	4700357138		1	Ventilating filter	
18	4700313009		2	Hose clamp	
20	4700500013		2	Screw M6-1x16 8,8	
21	4700904228		2	Washer 6,4x12x1,5	
22	4700904985	B	1XL	Fuel hose	
23	4700313001		2	Hose clamp	
24	4700390926	C	1	O-ring	
25	4812118961	C	1	Cover	
26	4700500019	C	16	Screw M8x16H 8.8 A2K	
27	4700792295	C	1	Steel plug	
28	4700792809		1	Elbow 90 orfs	
29	4700791405		1	Straight o-ring connector	
30	4700232118		2	Flange half	
31	4700904638		4	Washer 12x22x2	
32	4700508063		4	Hexagon socket head cap screw	
33	4812112556		1	Connector elbow 90 orfs	
34	4700792276		1	Temperature sensor	
35	4700162008		2	Seal washer	
36	4700792264		1	Straight connector	
37	4700374059		1	Check valve	
38	4700792338		1	Straight connector	
39	4700160191		1	O-ring	
40	4700330331		1	Plain washer of copper	
41	4700989151		1	Oil level glass	
42	4700904556		1	Washer 8,4x16x3,0	
43	4700791120		1	Sealing washer	

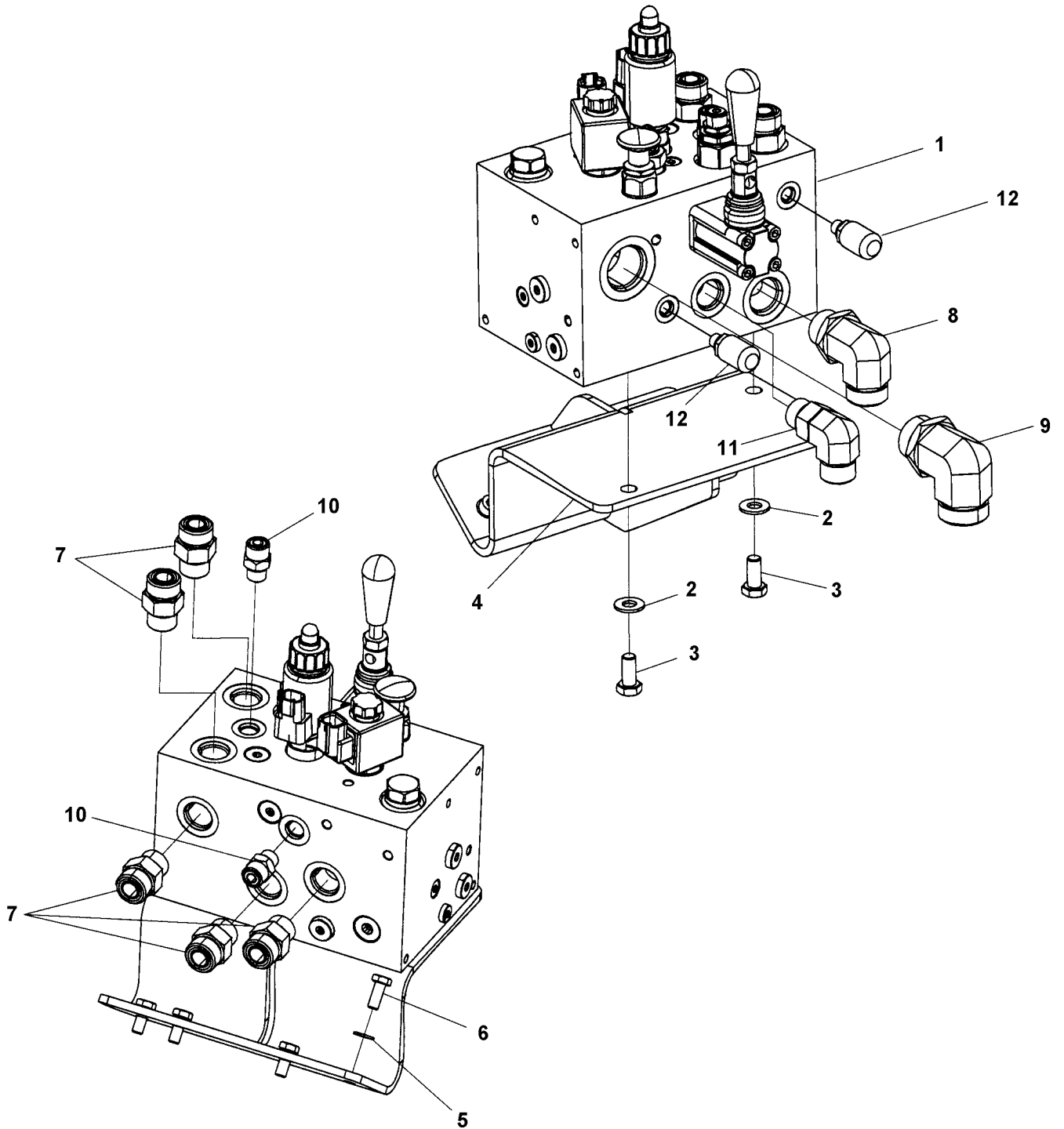
A) Includes item 24, 25, 26, 27 and 12 (16 pcs).

B) L=0.68m

C) Part of item 1.

D) 16 pcs part of item 1.

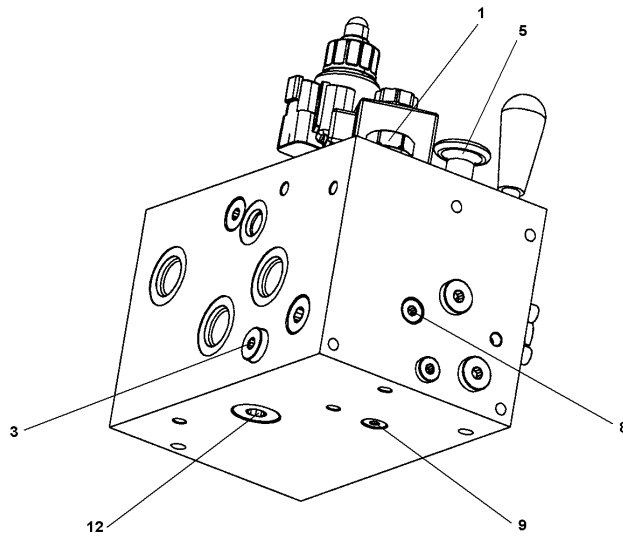
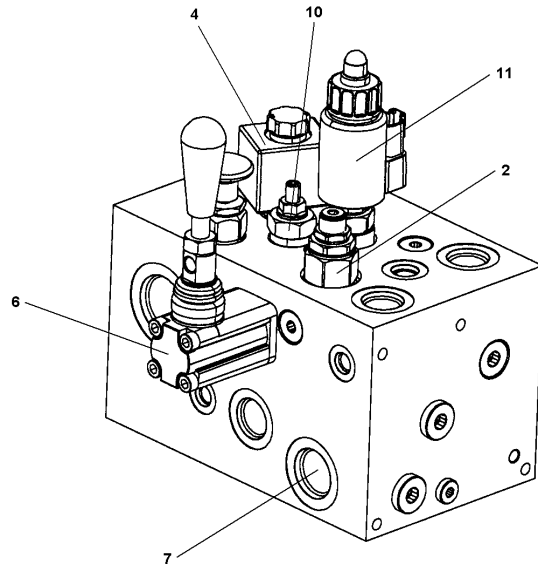
Hydraulic valve module



## Hydraulic valve module

Item	Part No	Rem Qty	Description	Code
1	4812112238	1	Hydraulic valve ( Page 256 )	
2	4700904230	2	Steel plain washer	
3	4700500027	2	Screw M10-1,55x22 8.8	
4	4812114434	1	Bracket	
5	4700904229	4	Steel plain washer 8,4x16x1,5	
6	4700508092	4	Screw	
7	4700791743	5	Straight connector orfs	
8	4700791231	1	Elbow 90°	
9	4700792299	1	Elbow 90°	
10	4700791409	2	Straight connector orfs	
11	4700791843	1	Elbow 90, O-ring with swivel	
12	4700910162	2	Measuring nipple	

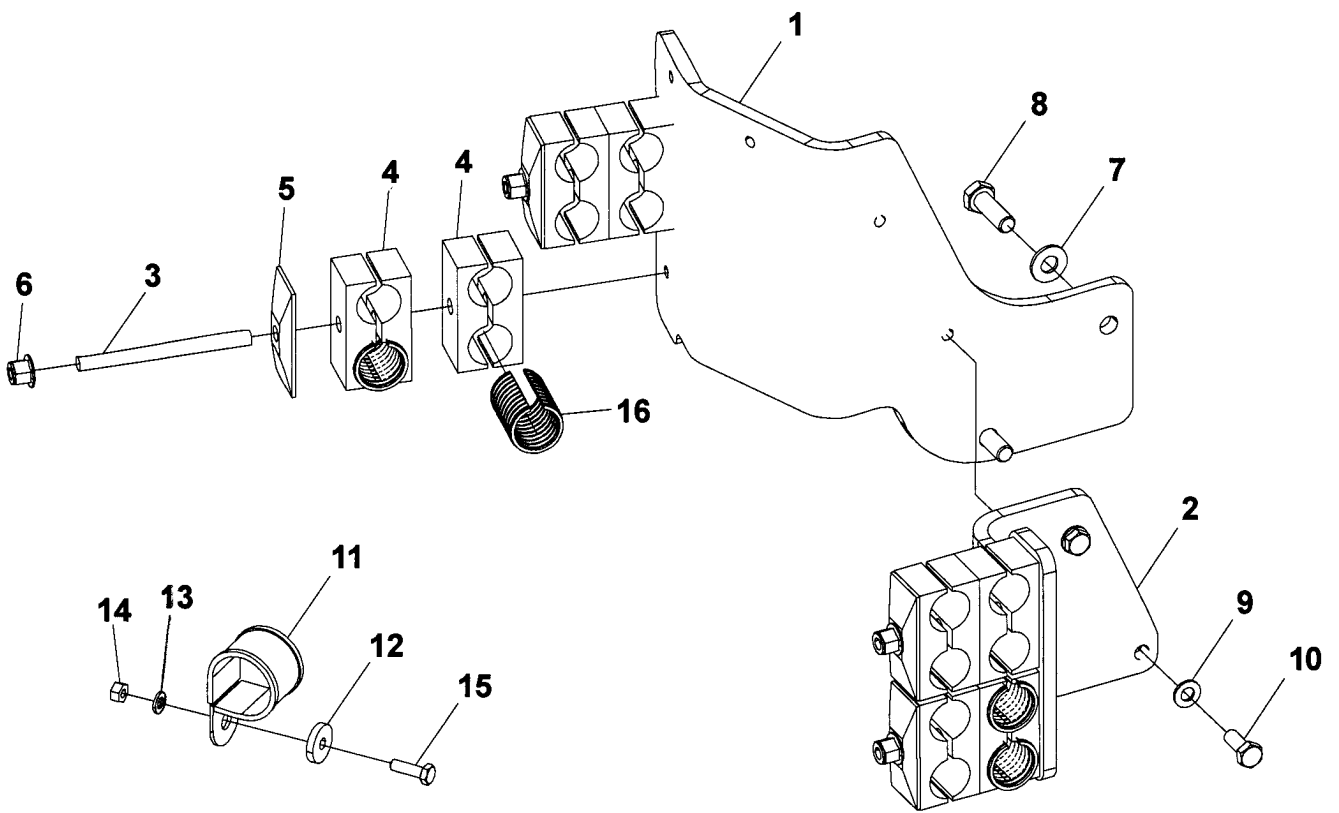
4812112238 Hydraulic valve



4812112238 Hydraulic valve

Item	Part No	Rem Qty	Description	Code
	4812112238	1	<b>Hydraulic valve ( Page 256 )</b>	
1	4812157654	1	. Pressure compensator	
2	4812157655	1	. Pressure relief valve	
3	4812157681	1	. Shuttle valve	
4	4812157770	1	. Electric 3/2 valve	
	4812157771	1	. Coil	
5	4812157682	1	. 2/2 Valve	
6	4812157772	1	. Hand pump	
	4812157773	1	. Kit manual lever	
7	4812157683	1	. Orifice	
8	4812157684	1	. Orifice	
9	4812157685	1	. Orifice	
10	4812157686	1	. Brake pressure relief valve	
11	4812157687	1	. Proportional pressure relief valve	
12	4812157688	1	. Check valve	

Connector assy

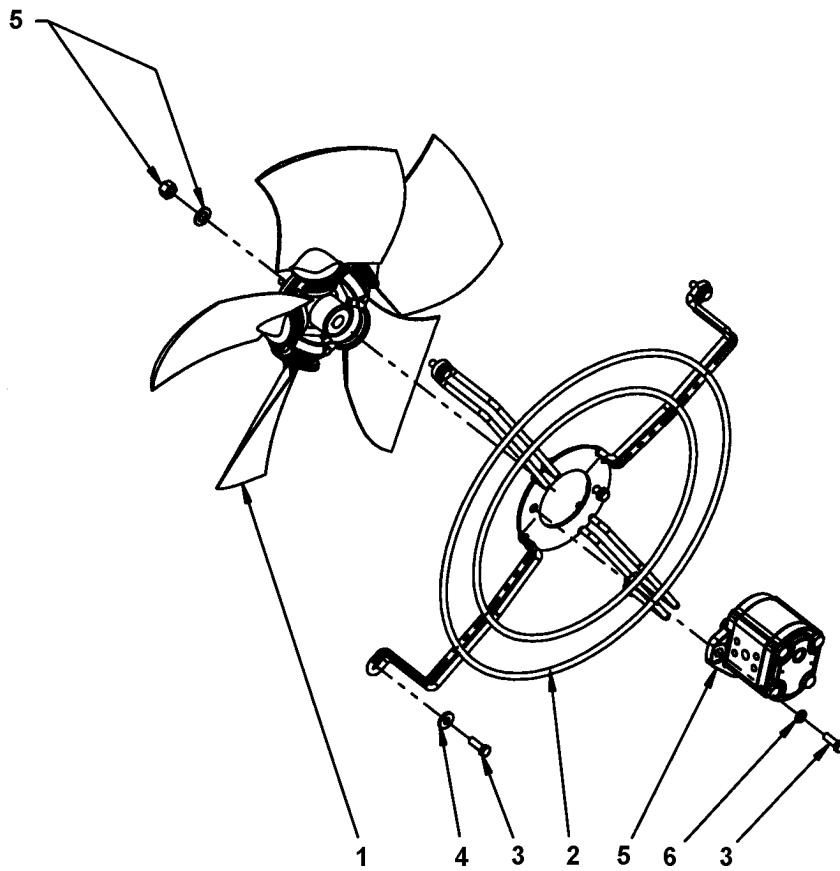




## Connector assy

Item	Part No	Rem Qty	Description	Code
1	4812113237	1	Bracket	
2	4812113338	1	Bracket	
3	4700791807	4	Stud	
4	4700287295	8	Clamp	
5	4700904872	4	Cover plate	
6	4700902286	4	Hexagon lock nut with flange	
7	4700904230	2	Steel plain washer	
8	4700500029	2	Hexagon head screw	
9	4700904229	2	Steel plain washer 8,4x16x1,5	
10	4700500053	2	Screw M8x20H 8.8	
11	4700923008	1	Clamp	
12	4700904735	1	Washer	
13	4700904228	1	Washer 6,4x12x1,5	
14	4700570004	1	Nut M6X1,00 -8 A2K	
15	4700500040	1	Screw M6-1x20 8,8	
16	4812113941	4	Hose holder clip	

Fan module, front

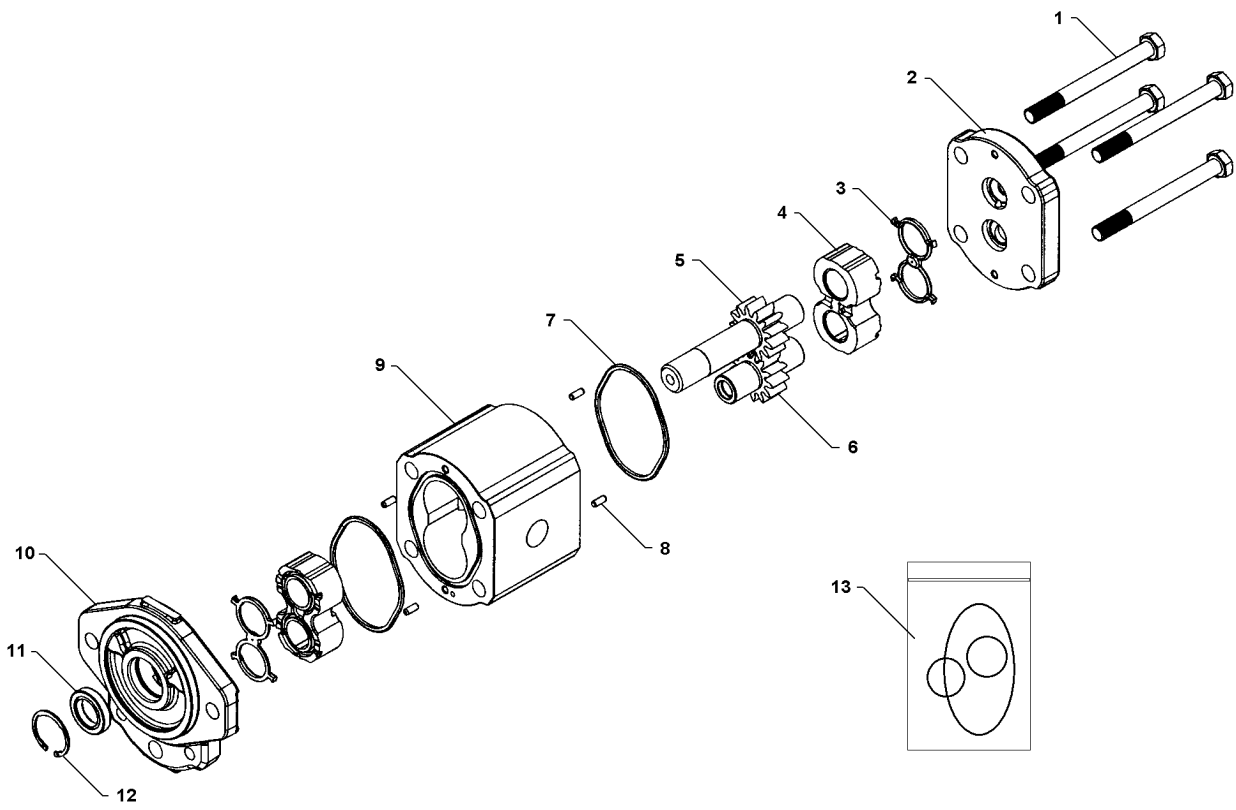


Fan module, front

Item	Part No	Rem	Qty	Description	Code
1	4812111035		1	Fan	
2	4812118214	1	1	Bracket	
3	4700500021		6	Screw M8-1,25x25 8.8	
4	4700904640		4	Washer 8,4x22x3	
5	4812117797	1	1	<b>Hydraulic motor ( Page 262 )</b>	
6	4700904229		2	Steel plain washer 8,4x16x1,5	

1) Hydraulic motor PN 4812117797 and bracket PN 4812118214 replaces old Hydraulic motor PN 4812112107.

**4812117797 Hydraulic motor**

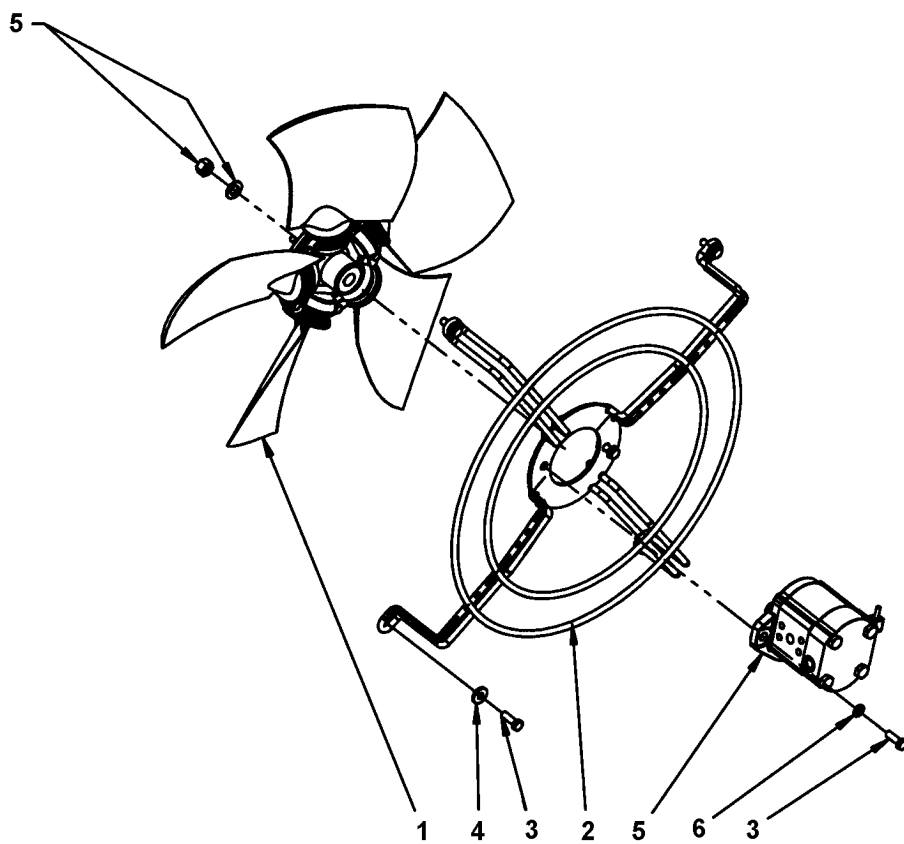


4812117797 Hydraulic motor

Item	Part No	Rem	Qty	Description	Code
	4812117797		1	Hydraulic motor ( Page 262 )	
1			4	. Screw	
2			1	. End cover	
3		A	2	. Seal	
4			2	. Bearing block	
5			1	. Drive gear	
6			1	. Idler gear	
7		A	2	. Shaft seal	
8			4	. Dowel pin	
9			1	. Gear housing	
10			1	. Mounting flange	
11		A	1	. Shaft seal	
12			1	. Snap ring	
13	4700903431		1	. Seal kit	

A) Included in seal kit.

Fan module, rear

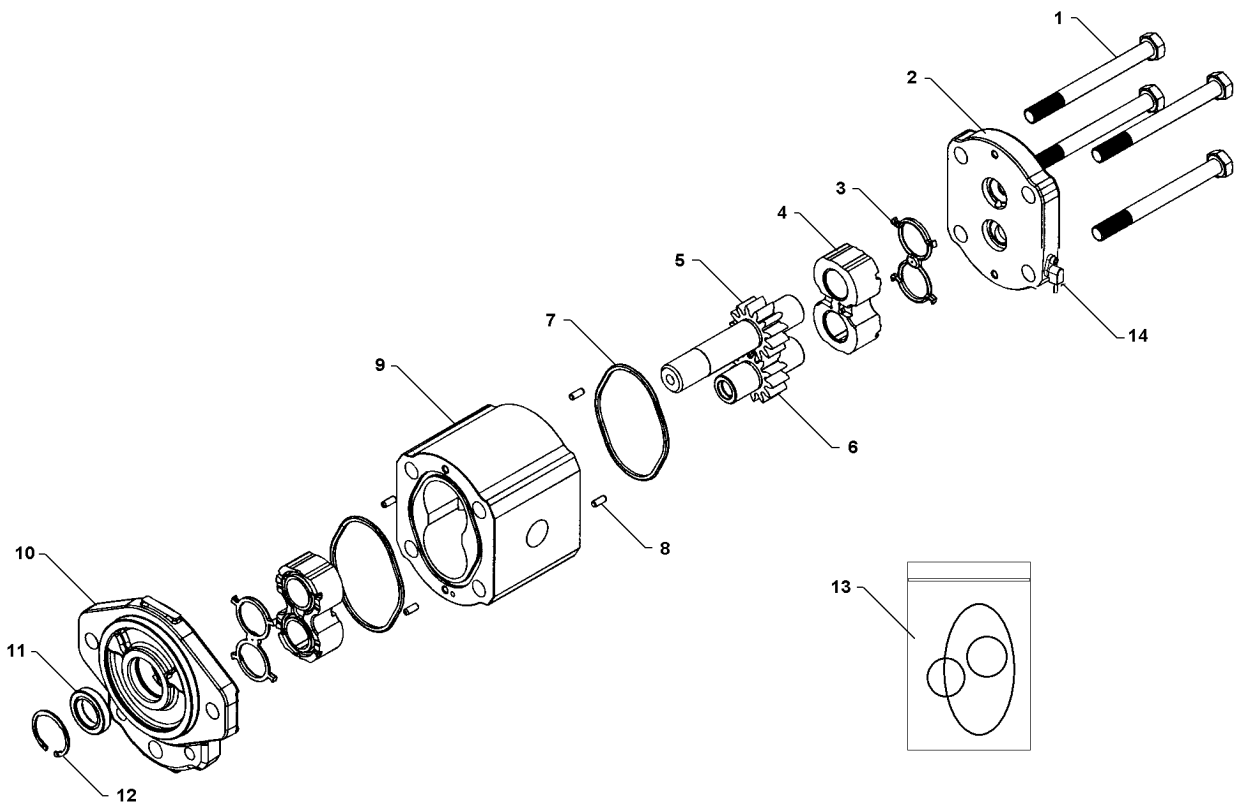


Fan module, rear

Item	Part No	Rem	Qty	Description	Code
1	4812111035		1	Fan	
2	4812118214	1	1	Bracket	
3	4700500021		6	Screw M8-1,25x25 8.8	
4	4700904640		4	Washer 8,4x22x3	
5	4812117796	1	1	<b>Hydraulic motor ( Page 266 )</b>	
6	4700904229		2	Steel plain washer 8,4x16x1,5	

- 1) Hydraulic motor PN 4812117796 and bracket PN 4812118214 replaces old Hydraulic motor PN 4812112106.

4812117796 Hydraulic motor



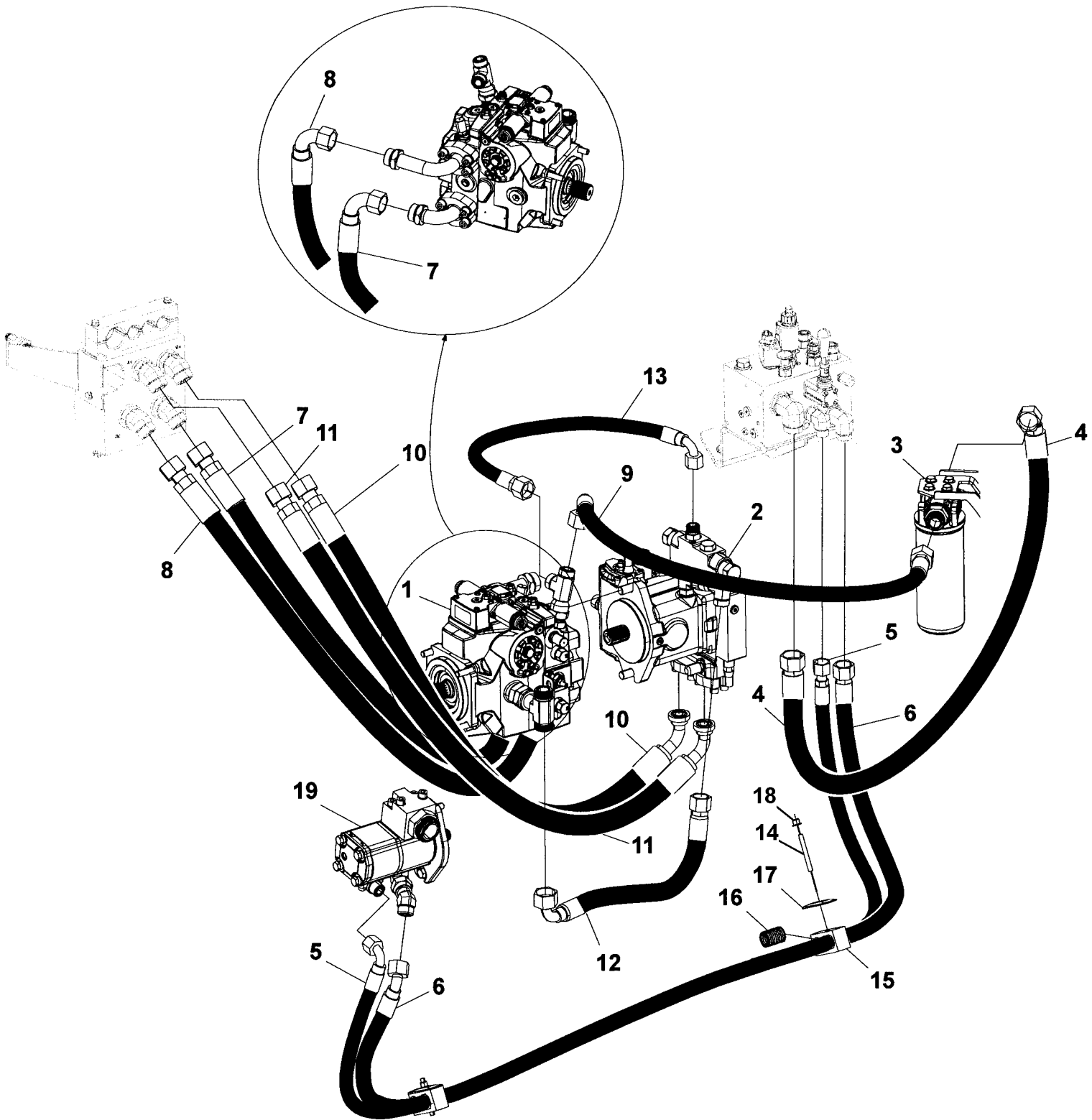


4812117796 Hydraulic motor

Item	Part No	Rem Qty	Description	Code
	4812117796	1	Hydraulic motor ( Page 266 )	
1		4	. Screw	
2		1	. End cover	
3	A	2	. Seal	
4		2	. Bearing block	
5		1	. Drive gear	
6		1	. Idler gear	
7	A	2	. Shaft seal	
8		4	. Dowel pin	
9		1	. Gear housing	
10		1	. Mounting flange	
11	A	1	. Shaft seal	
12		1	. Snap ring	
13	4700903431	1	. Seal kit	
14	4812159763	1	. Sensor w cable	

A) Included in seal kit.

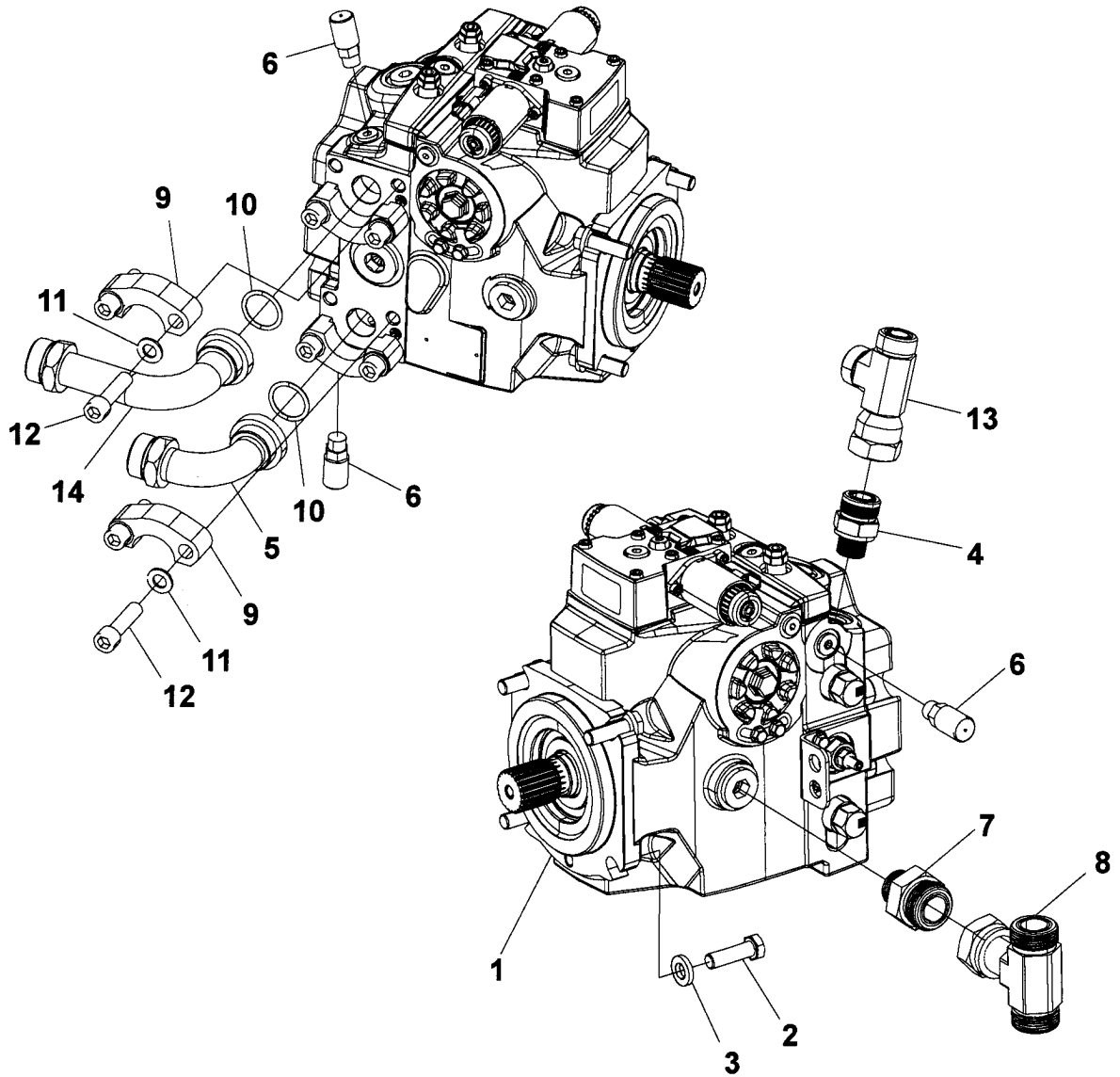
Hydraulic system, engine room



## Hydraulic system, engine room

Item	Part No	Rem Qty	Description	Code
1		1	<b>Hydraulic pump module ( Page 270 )</b>	
2		1	<b>Hydraulic pump module ( Page 278 )</b>	
3		1	<b>Hydraulic oil filter assy ( Page 280 )</b>	
4	4811000212	1	Hydraulic hose	
5	4811000412	1	Hydraulic hose	
6	4811000410	1	Hydraulic hose	
7	4812114514	1	Hydraulic hose	
8	4812114515	1	Hydraulic hose	
9	4812114516	1	Hydraulic hose	
10	4812114517	1	Hydraulic hose	
11	4812114518	1	Hydraulic hose	
12	4812114519	1	Hydraulic hose	
13	4812117324	1	Hydraulic hose	
14	4700791805	2	Stud	
15	4700791711	2	Pipe clamp	
16	4812113941	2	Hose holder clip	
17	4700791712	2	Cover plate	
18	4700902286	2	Hexagon lock nut with flange	
19		1	<b>Hydraulic pump module ( Page 282 )</b>	

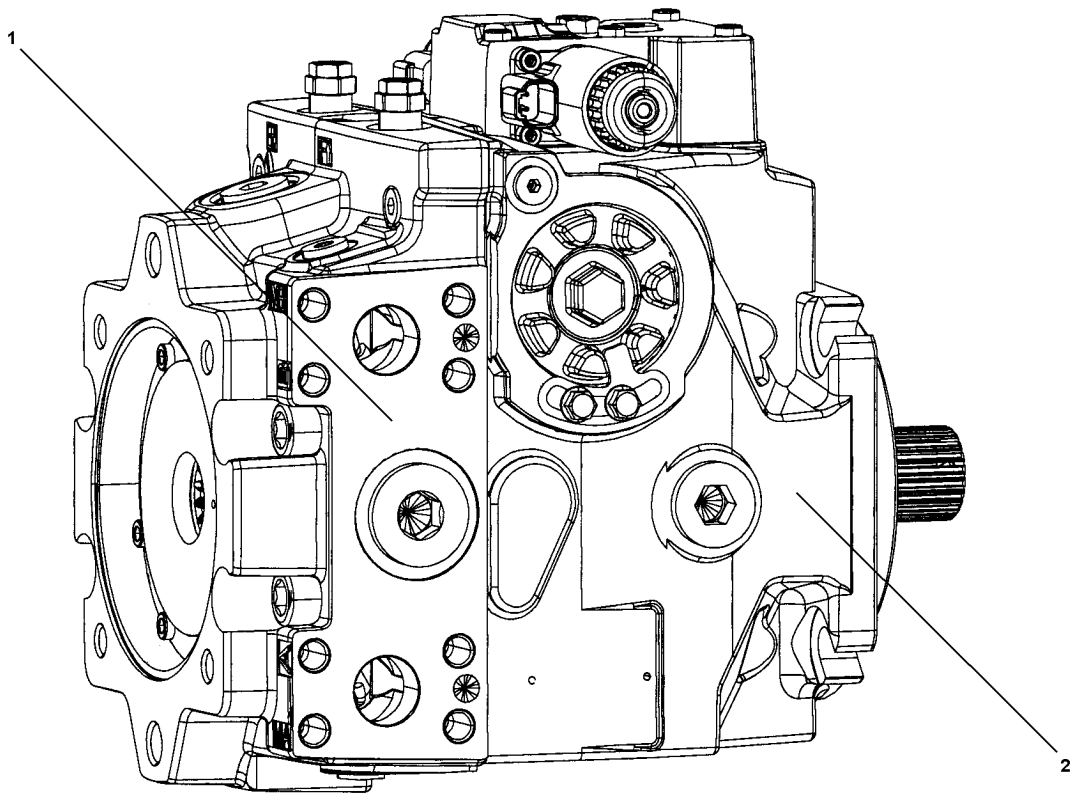
Hydraulic pump module



## Hydraulic pump module

Item	Part No	Rem Qty	Description	Code
1	4812112170	1	Hydraulic pump, propul pump ( Page 272 )	
2	4700500194	4	Screw	
3	4700904703	4	Steel plain washer	
4	4812115051	1	Straight connector orfs	
5	4700791213	1	Flange fitting 90	
6	4700900229	3	Measuring nipple	
7	4812112560	1	Straight connector orfs	
8	4812112561	1	T-adapter	
9	4700923384	4	Flange half	
10	4700904005	2	O-ring	
11	4700904638	8	Washer 12x22x2	
12	4700928791	8	Screw	
13	4700904496	1	Connector	
14	4812115965	1	Flange fitting 90	

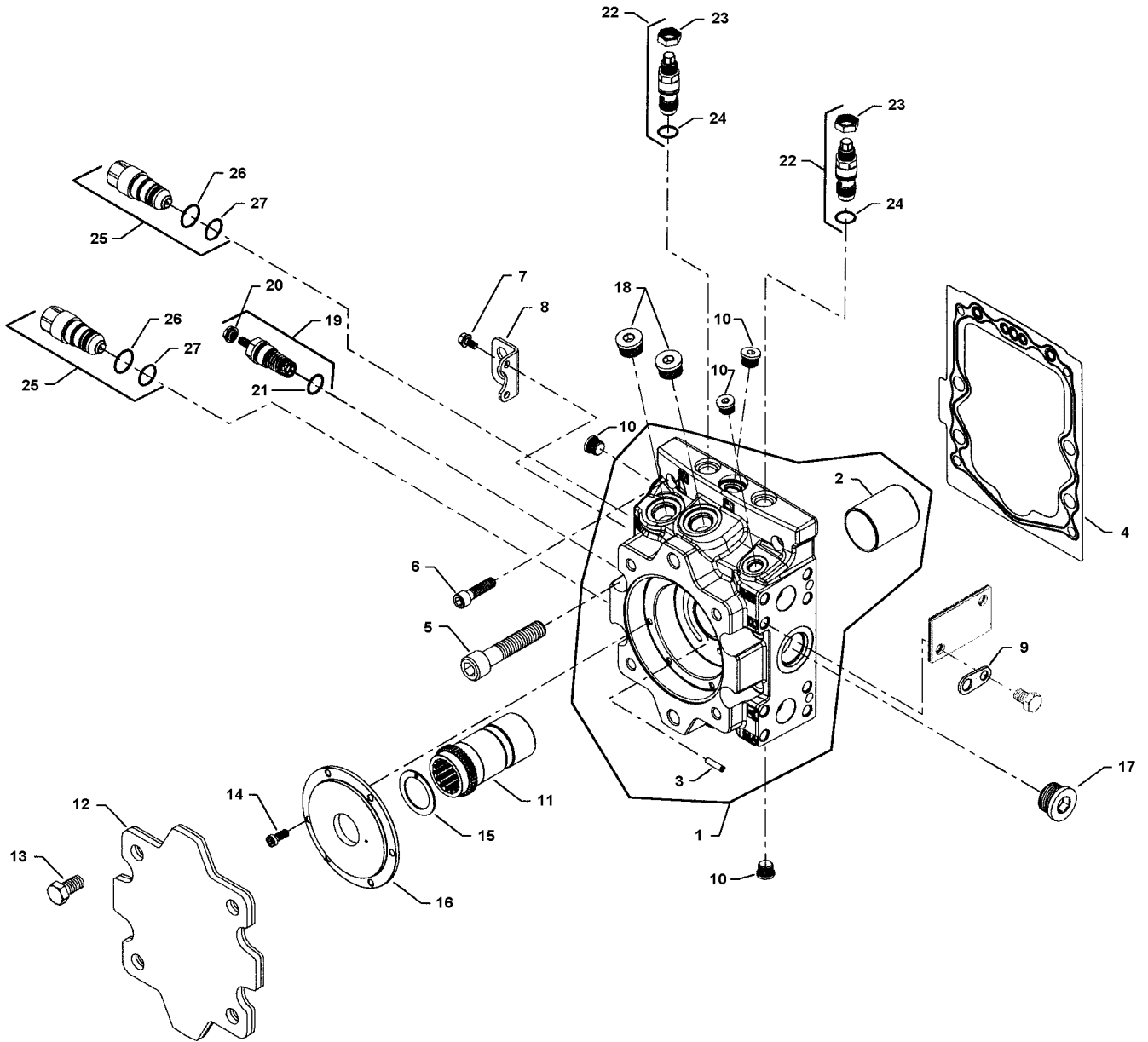
**4812112170 Hydraulic pump, propul pump**



4812112170 Hydraulic pump, propul pump

Item	Part No	Rem Qty	Description	Code
		1	Hydraulic pump, Cpl	
1		1	. Front section ( Page 274 )	
2		1	. Rear section ( Page 276 )	
3	4812158362	1	. Seal kit, cpl	

Front section

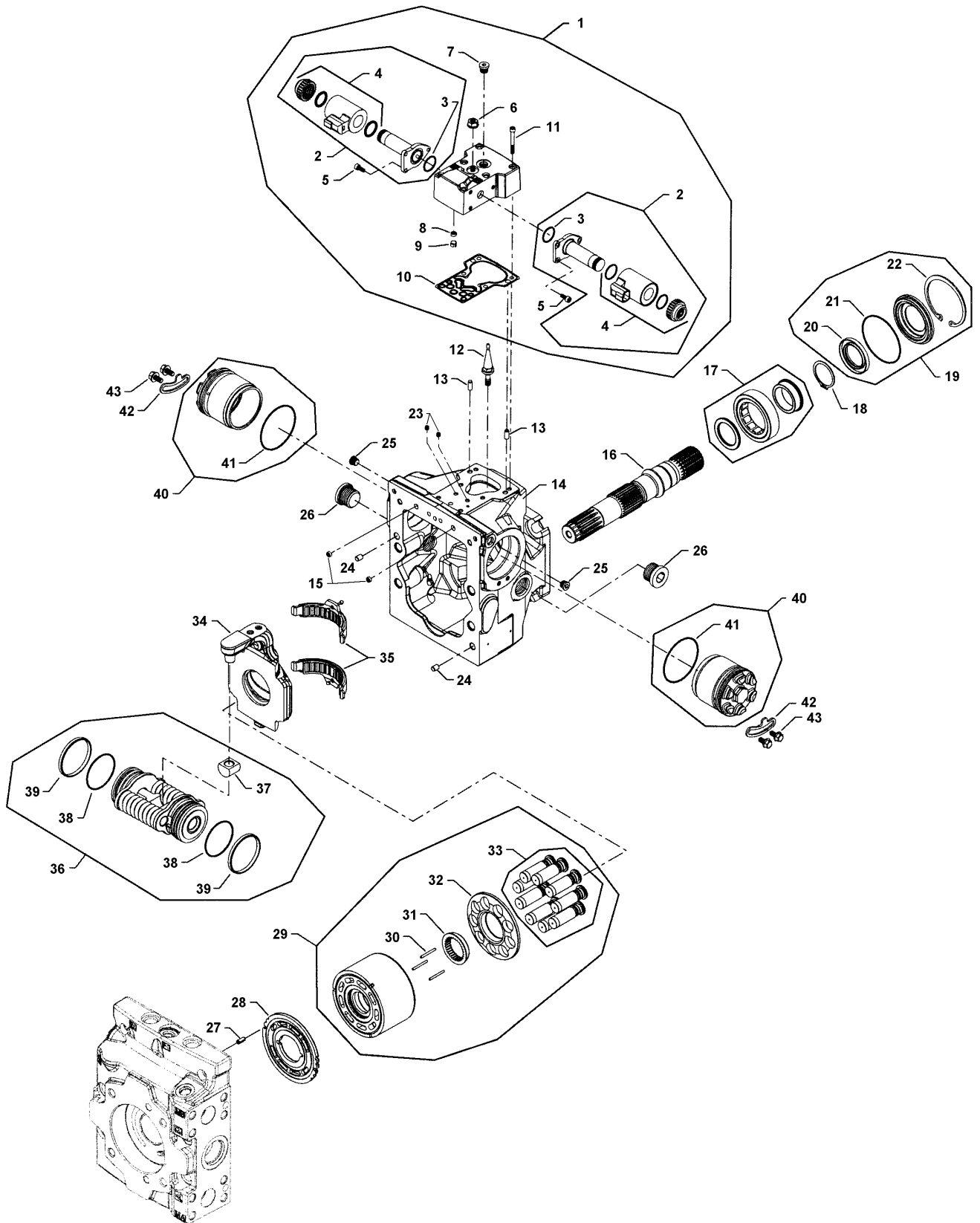




**Front section**

<b>Item</b>	<b>Part No</b>	<b>Rem Qty</b>	<b>Description</b>	<b>Code</b>
1		1	End cap assy	
2	4812158353	1	. Bearing journal	
3		1	. Pin	
4	4812158352	1	End cap gasket	
5		4	Screw	
6		2	Screw	
7		2	Screw	
8		1	Lifting bracket	
9		1	Lifting bracket	
10		4	Plug assy	
11	4812158356	1	Coupling, 14 tooth	
12		1	Flange cover	
13		4	Screw	
14		6	Screw	
15	4812157383	1	Thrust washer	
16		1	Charge pump cover	
17		1	Plug assy	
18		2	Plug assy	
19	4812158361	1	Charge relief valve kit	
20	4700908774	1	. Sealing nut	
21	D902899008	1	. O-ring	
22	4812158360	2	Pressure limiter kit	
23	4812158358	2	. Nut	
24	4812158357	2	. O-ring	
25	4812158359	2	High pressure relief valve, towing valve	
26	4812159460	2	. O-ring	
27	4812159461	2	. O-ring	

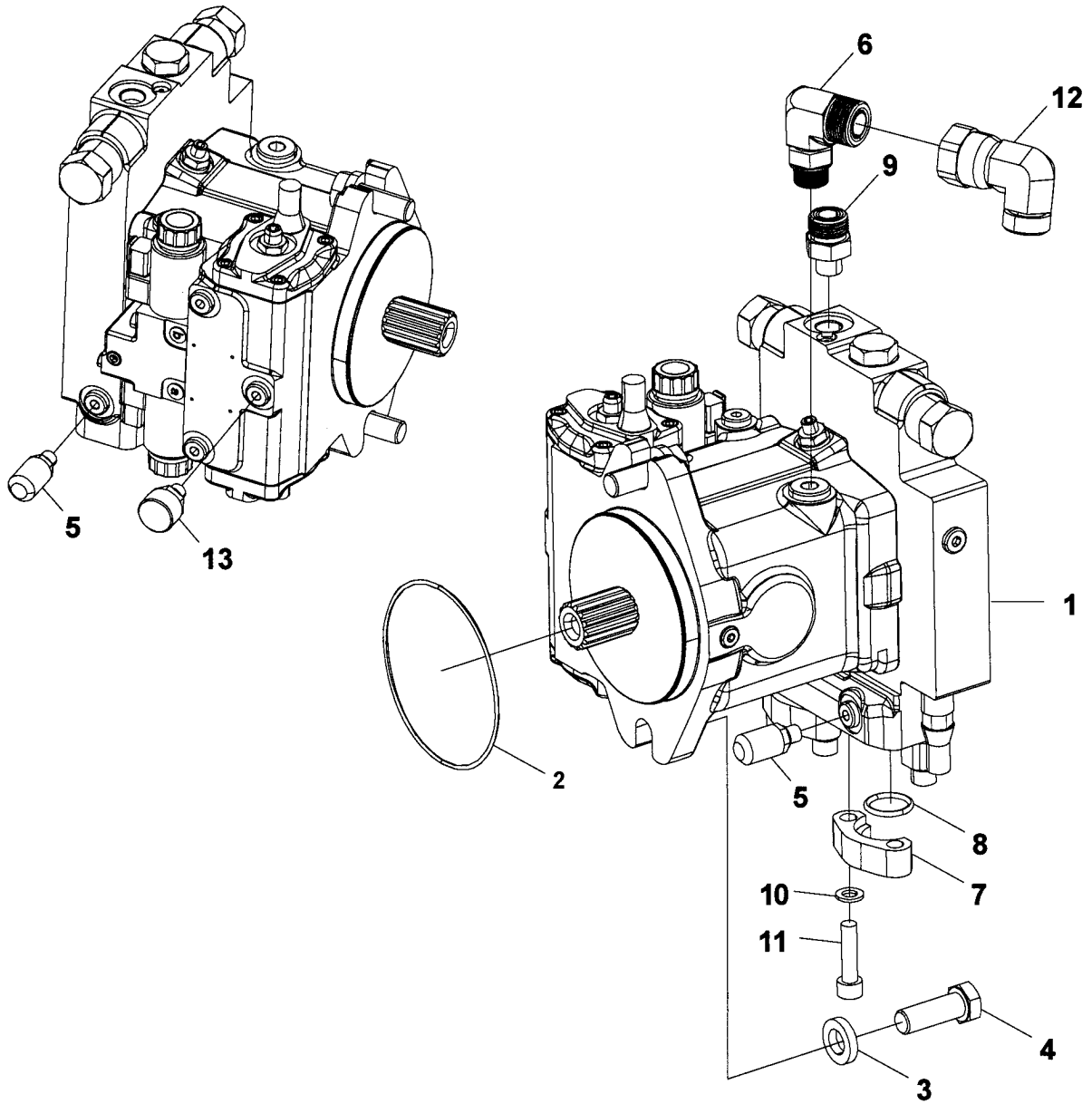
Rear section



## Rear section

Item	Part No	Rem Qty	Description	Code
1	4812157369	1	EDC kit, 24V,high gain spool,manual overdrive	
2	4812157370	2	. Proportional solenoid 24V	
3	4812157371	2	. . O-ring	
4	4812157372	2	. . Coil kit 24V	
5		6	. Screw	
6		1	. Seal nut	
7		1	. Plug	
8		1	. Screen	
9		1	. Locking ring	
10	4812157373	1	. Control gasket	
11		6	. Screw	
12		1	Swashplate feedback link	
13		2	Dowel pin	
14		1	Housing	
15		2	Screen	
16	4812158354	1	Shaft, 21 tooth spline	
17	4812158364	1	Roller bearing	
18	4700901727	2	Retaining ring	
19	4812158355	1	Shaft seal kit	
20		1	. Lip seal	
21		1	. O-ring	
22		1	. Retaining ring	
23	4812157376	2	Orifice 1.3, M6x0.75mm	
24		2	Dowel pin	
25		2	Plug assy	
26		2	Plug assy	
27		1	Valve plate pin	
28		1	Valve plate	
29	4812158399	1	Cylinder block kit	
30		1	. Slipper hold down pin	
31		1	. Slipper retainer guide	
32		1	. Slipper retainer	
33		1	. Slipper / piston kit	
34	4812158297	1	Swashplate	
35	4812158298	1	Swashplate bearing kit	
36		1	Servo piston assy	
37	4812157374	1	. Slider block	
38		2	. O-ring	
39		2	. Piston seal ring	
40		1	Servo cylinder assy	
41	4812158351	2	. O-ring	
42		2	Locking plate	
43		4	Screw	

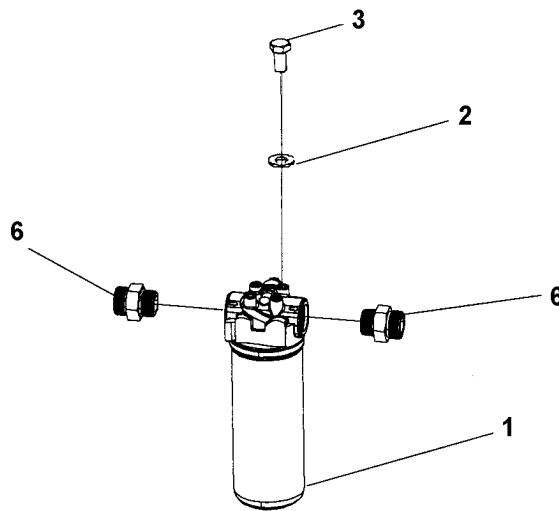
Hydraulic pump module



## Hydraulic pump module

Item	Part No	Rem Qty	Description	Code
1	4812112174	1	Hydraulic pump	
2	4700160231	1	O-ring 120,32x2,62	
3	4700904558	2	Washer 17X30X6 300HV	
4	4700500102	2	Screw M16x45	
5	4700901157	2	Measuring nipple	
6	4811000417	1	Connector elbow 90 orfs	
7	4700929226	4	Flange half	
8	4700904004	2	O-ring	
9	4700792465	1	Straight connector orfs	
10	4700904637	8	Washer	
11	4700508080	8	Screw	
12	4700904584	1	Elbow connector 90°	
13	4812116781	1	Oil filling plug	

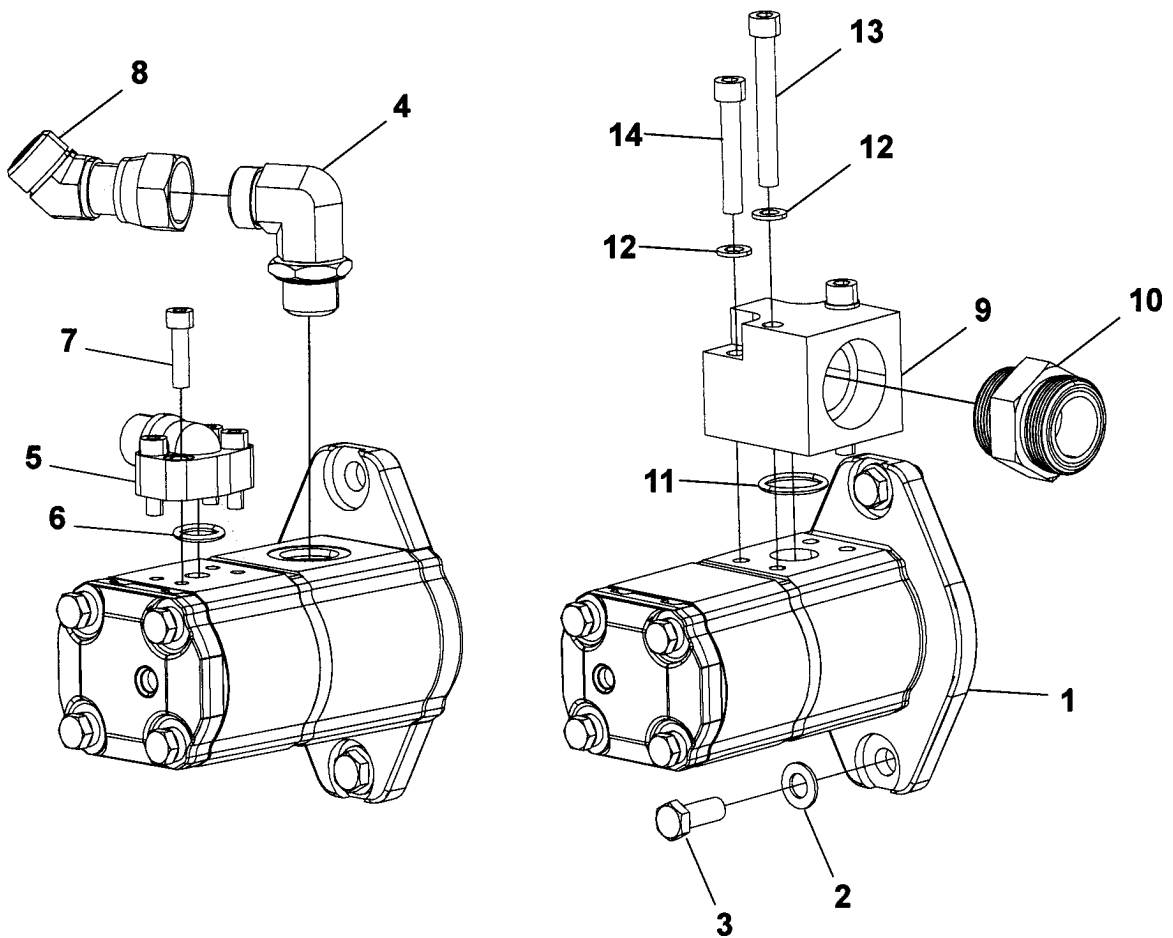
**Hydraulic oil filter assy**



Hydraulic oil filter assy

Item	Part No	Rem Qty	Description	Code
1	4812112260	1	Hydraulic oil filter	
	4812112262	1	. Hydraulic oil filter element	
2	4700904230	4	Steel plain washer	
3	4700500048	4	Screw M10-1,5x20 8,8	
6	4700792339	2	Straight connector orfs	

Hydraulic pump module

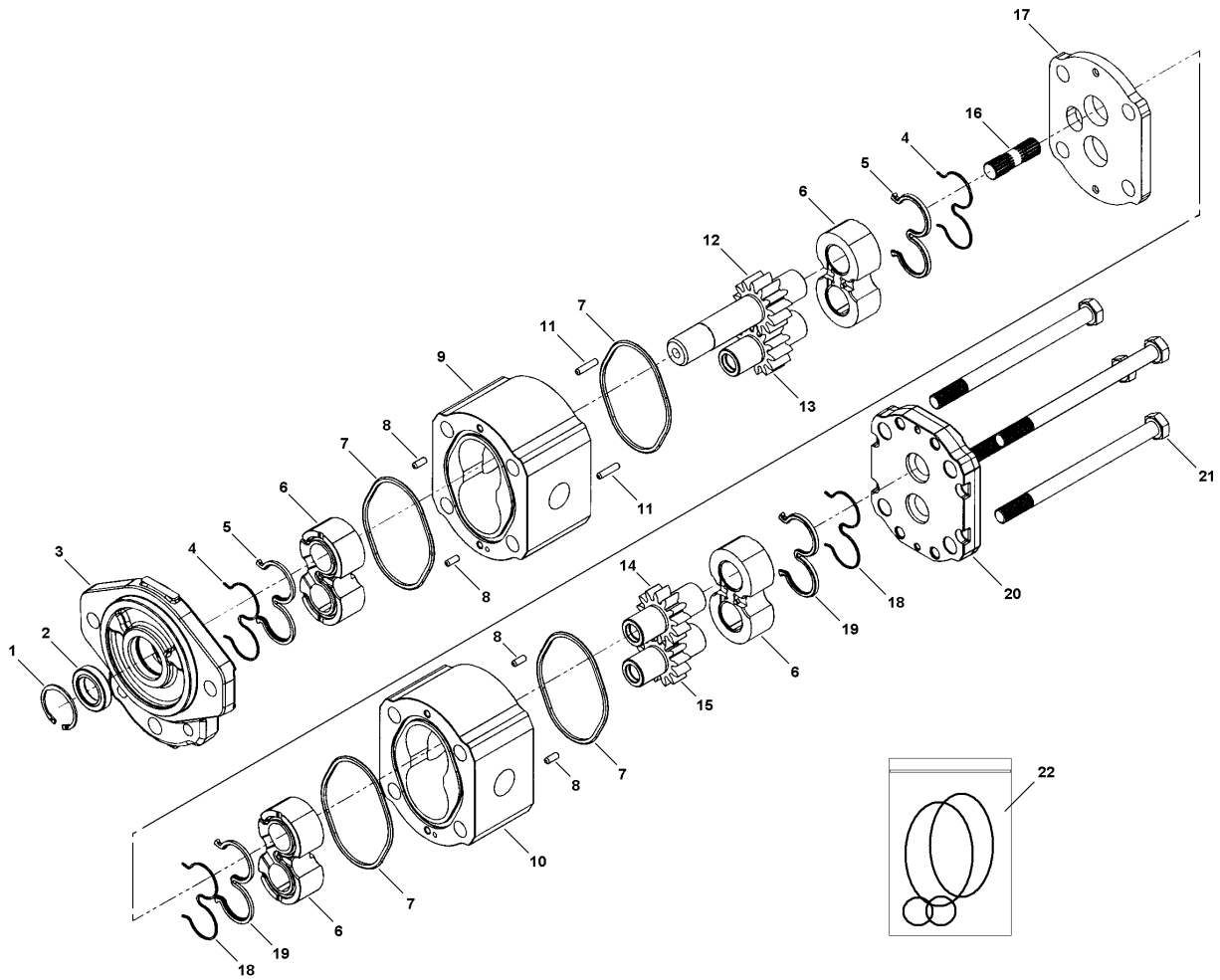




Hydraulic pump module

Item	Part No	Rem Qty	Description	Code
1	4812118150	1	Hydraulic pump, steering ( Page 284 )	
2	4700904231	2	Washer 13x24x2 300 HV	
3	4700500046	2	Screw M12x025H	
4	4700791231	1	Elbow 90°	
5	4812113633	1	Flange connector	
6	4700904774	1	O-ring	
7	4700508048	4	Hexagon socket head cap screw	
8	4700904586	1	Elbow 45°	
9	4812113215	1	Hydraulic block	
10	4812114189	1	Straight connector orfs	
11	4700904005	1	O-ring	
12	4700904637	4	Washer	
13	4700508060	2	Screw	
14	4700508014	2	Screw M10x60	

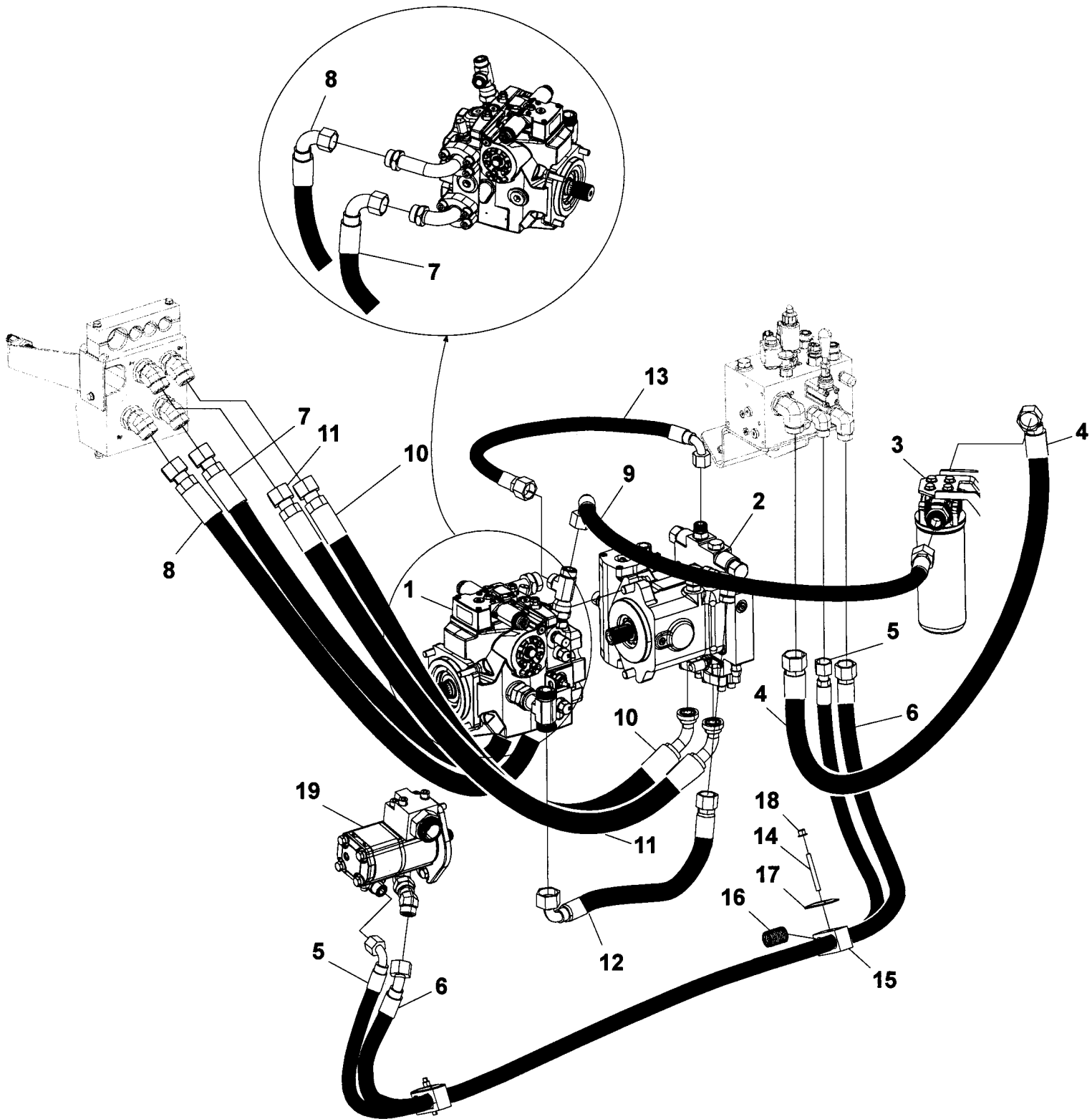
4812118150 Hydraulic pump, steering



**4812118150 Hydraulic pump, steering**

Item	Part No	Rem Qty	Description	Code
	4812118150	1	<b>Hydraulic pump, steering ( Page 284 )</b>	
1		1	. Snap ring	
2		1	. Shaft seal	
3		1	. Mounting flange	
4		2	. Back-up ring	
5		2	. Seal	
6		4	. Bearing block	
7		4	. O-ring	
8		4	. Dowel pin 1	
9		1	. Gear housing 1	
10		1	. Gear housing 2	
11		2	. Dowel pin 2	
12		1	. Drive gear 1	
13		1	. Idler gear 1	
14		1	. Drive gear 2	
15		1	. Idler gear 2	
16		1	. Coupling	
17		1	. Distance plate	
18		2	. Back-up ring	
19		2	. Seal	
20		1	. End cover	
21		4	. Screw	
22	4812158395	1	. Seal kit, cpl	

Hydraulic system, engine room Adjustable frequency, eco opti



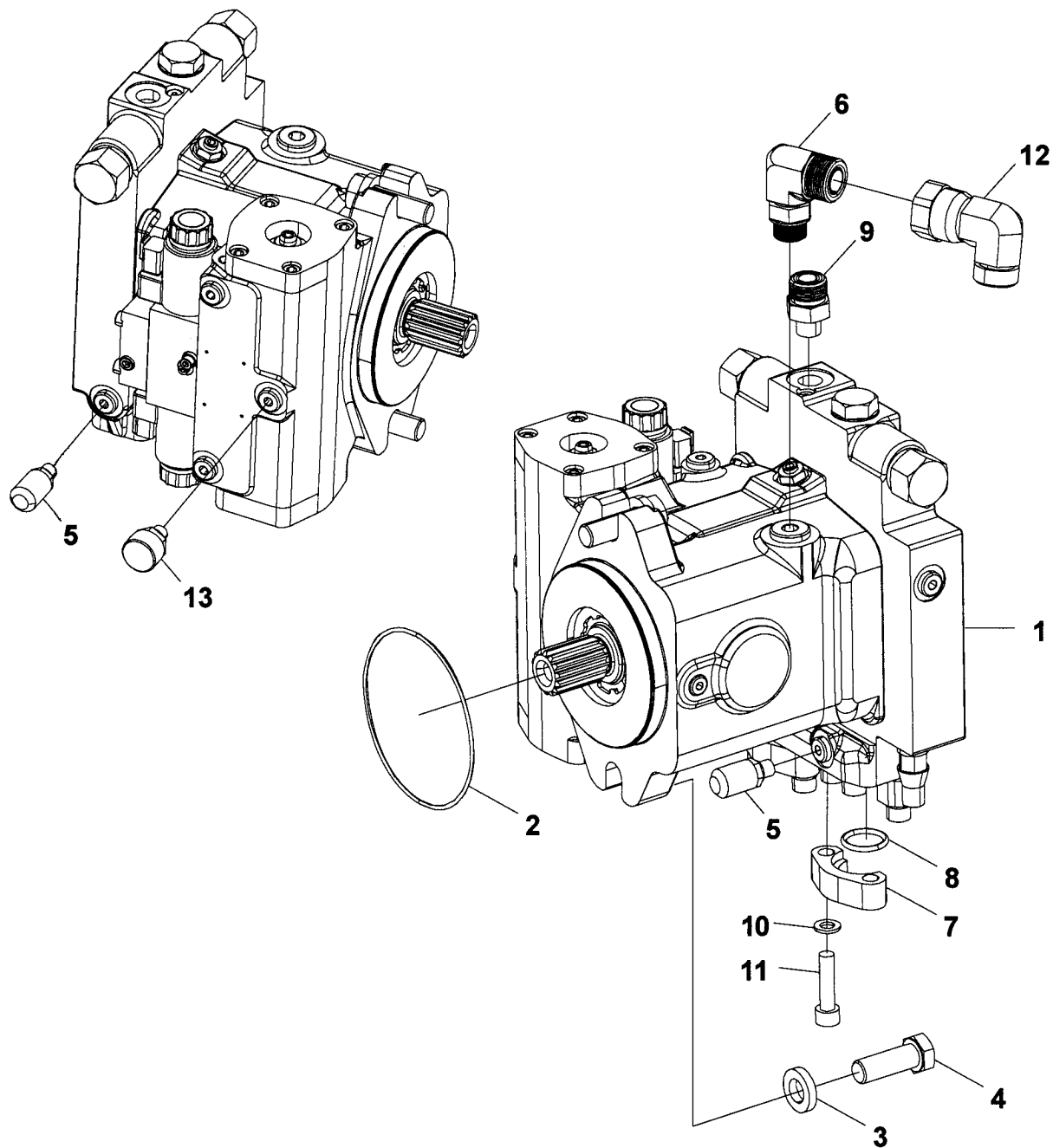
## Hydraulic system, engine room Adjustable frequency, eco opti

Item	Part No	Rem Qty	Description	Code
1		1	<b>Hydraulic pump module ( Page 270 )</b>	
2		1	<b>Hydraulic pump ( Page 288 )</b>	
3		1	<b>Hydraulic oil filter assy ( Page 280 )</b>	
4	4811000212	1	Hydraulic hose	
5	4811000412	1	Hydraulic hose	
6	4811000410	1	Hydraulic hose	
7	4812114514	1	Hydraulic hose	
8	4812114515	1	Hydraulic hose	
9	4812114516	1	Hydraulic hose	
10	4812114517	1	Hydraulic hose	
11	4812114518	1	Hydraulic hose	
12	4812114519	1	Hydraulic hose	
13	4812117324	1	Hydraulic hose	
14	4700791805	2	Stud	
15	4700791711	2	Pipe clamp	
16	4812113941	2	Hose holder clip	
17	4700791712	2	Cover plate	
18	4700902286	2	Hexagon lock nut with flange	
19		A	1 <b>Hydraulic pump module ( Page 282 )</b>	
		B	1 <b>Hydraulic pump module ( Page 292 )</b>	

A) Adjustable frequency, option.

B) Eco, option.

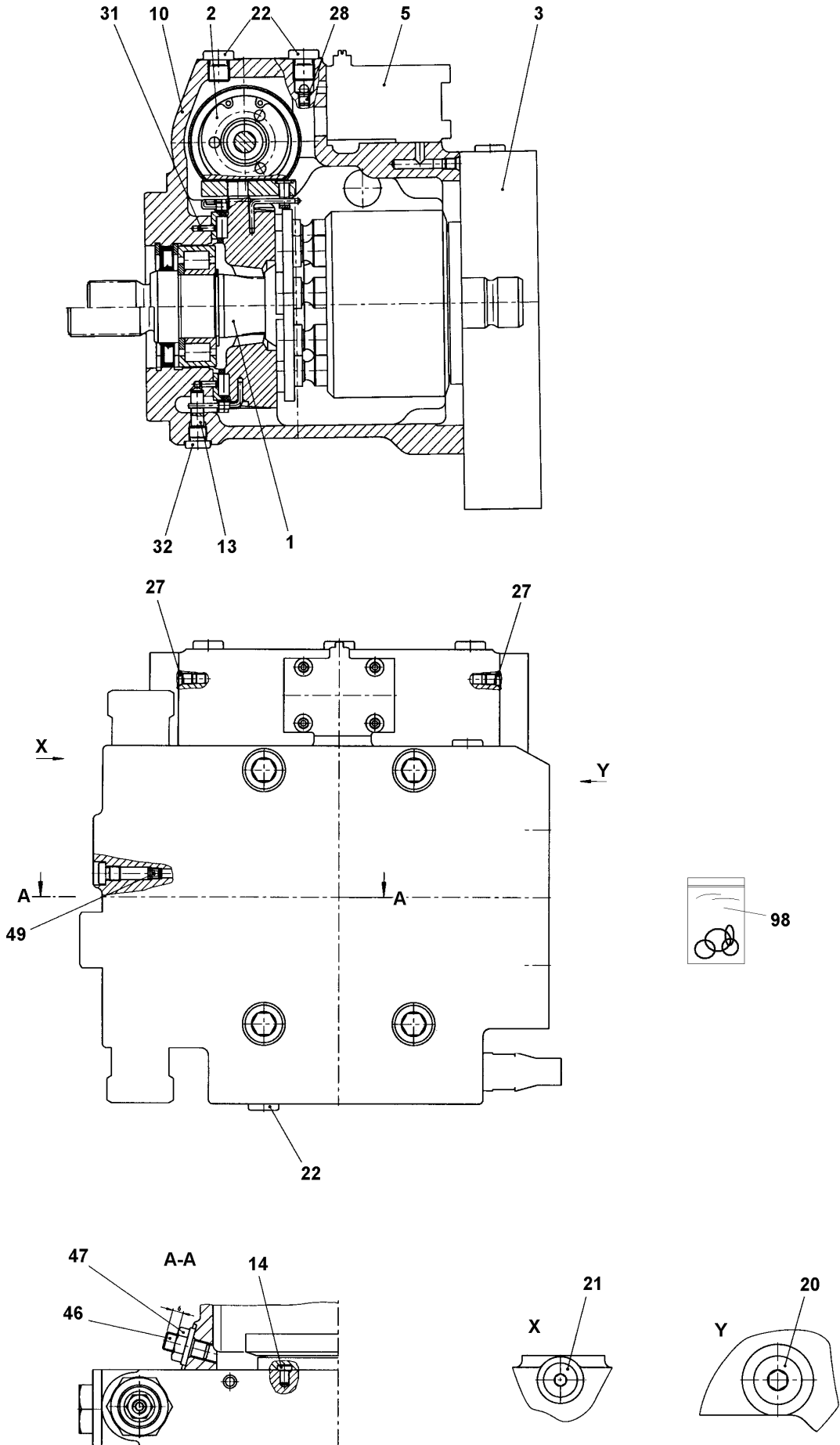
Hydraulic pump



## Hydraulic pump

Item	Part No	Rem Qty	Description	Code
1	4812112180	1	<b>Hydraulic pump ( Page 290 )</b>	
2	4700160231	1	O-ring 120,32x2,62	
3	4700904558	2	Washer 17X30X6 300HV	
4	4700500070	2	Screw M16x50	
5	4700901157	2	Measuring nipple	
6	4811000417	1	Connector elbow 90 orfs	
7	4700929226	4	Flange half	
8	4700904004	2	O-ring	
9	4700792465	1	Straight connector orfs	
10	4700904637	8	Washer	
11	4700508080	8	Screw	
12	4700904584	1	Elbow connector 90°	
13	4812116781	1	Oil filling plug	

4812112180 Hydraulic pump

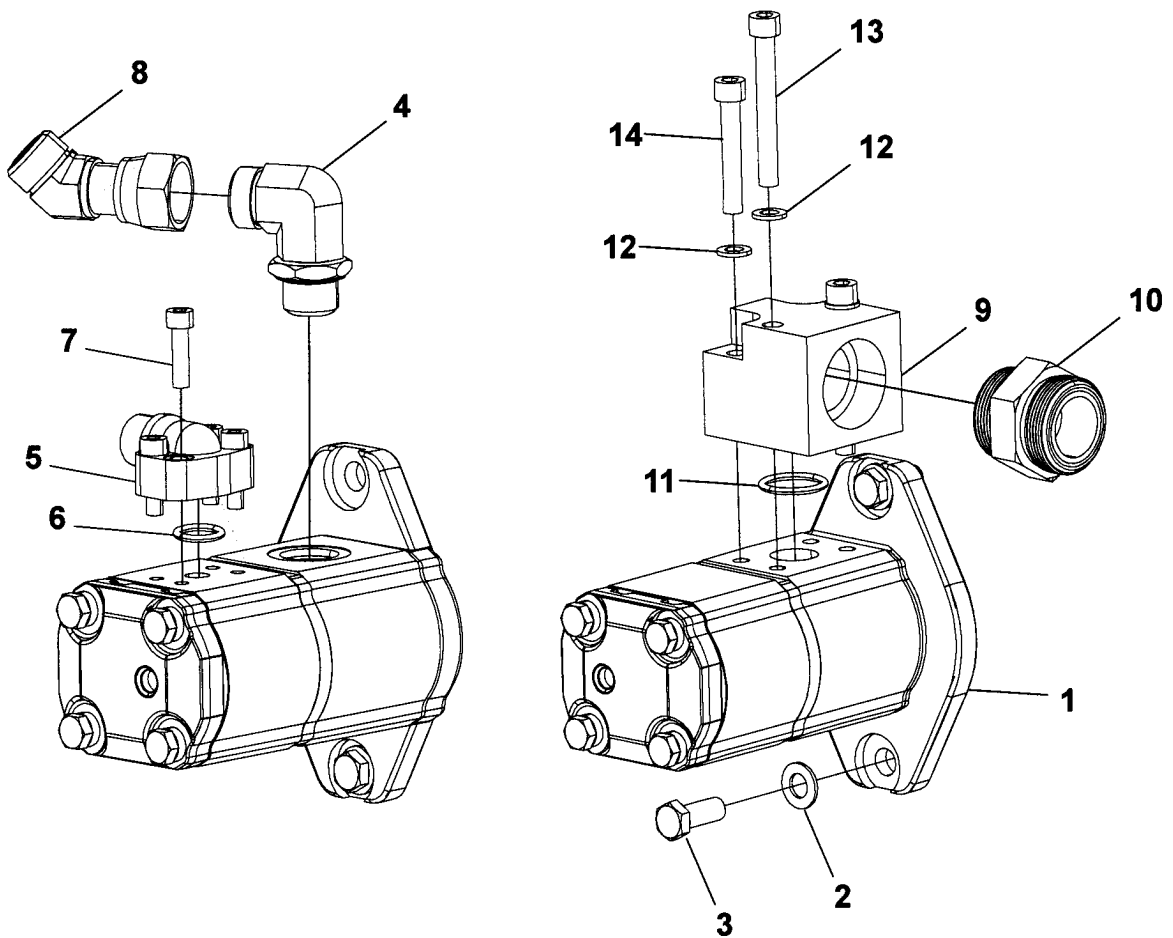




**4812112180 Hydraulic pump**

Item	Part No	Rem Qty	Description	Code
1		1	Rotary group	
2		1	Control, hydraulic	
3		1	Subplate	
5		1	Control module	
10		1	Housing	
13		1	Joint pin	
14		1	Eccentric bolt	
20		1	Locking screw	
21		1	Locking screw	
22		4	Locking screw	
27		2	Double break-off plug	
28	4812158198	2	Orifice	
31		2	Clamping pin	
32		1	Locking screw	
46		1	Threaded pin	
47		1	Sealing nut	
49	4700936313	1	Orifice	
98	4700940676	1	Seal kit	

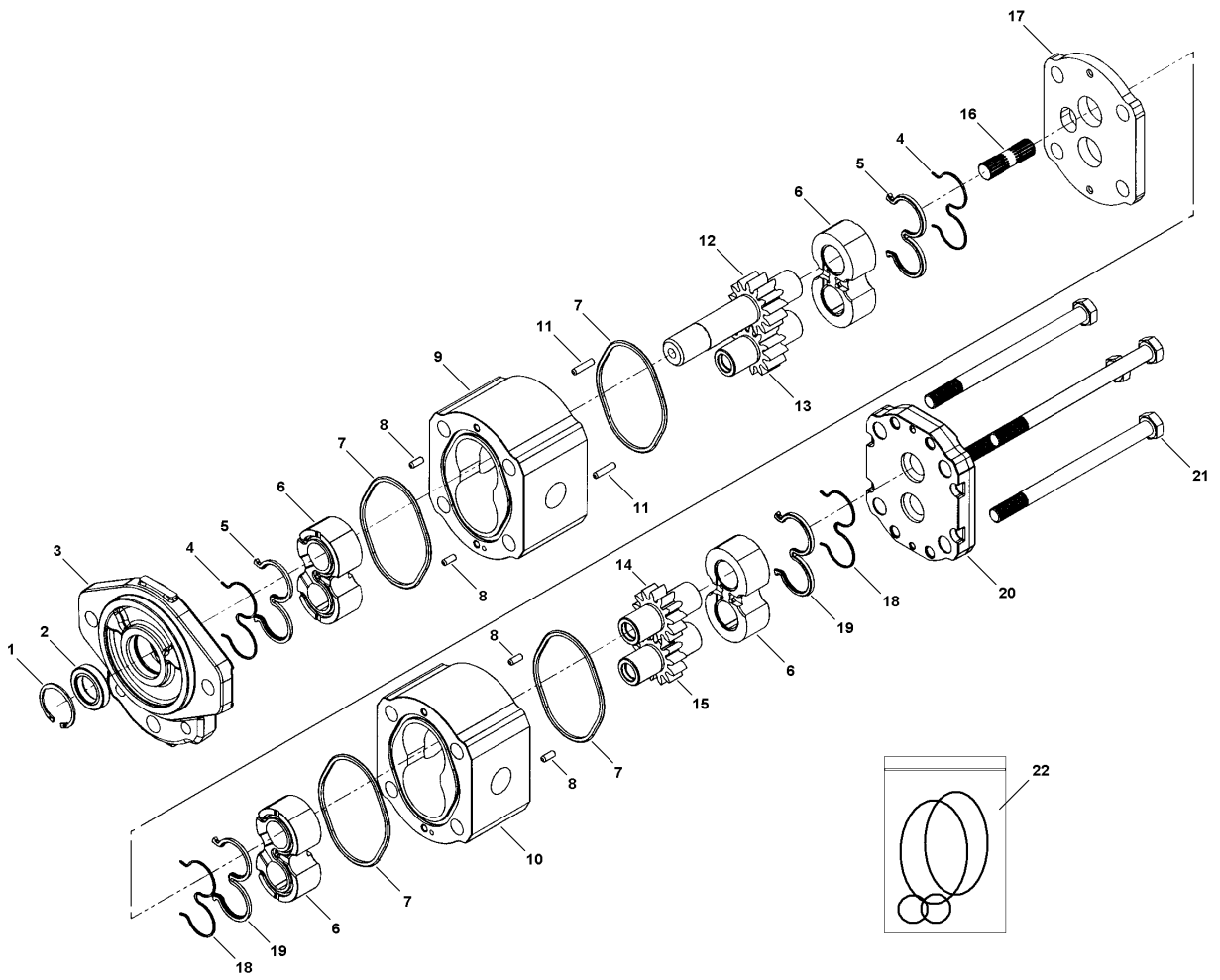
Hydraulic pump module



## Hydraulic pump module

Item	Part No	Rem Qty	Description	Code
1	4812118151	1	<b>Hydraulic pump ( Page 294 )</b>	
2	4700904231	2	Washer 13x24x2 300 HV	
3	4700500046	2	Screw M12x025H	
4	4700791231	1	Elbow 90°	
5	4812113633	1	Flange connector	
6	4700904774	1	O-ring	
7	4700508048	4	Hexagon socket head cap screw	
8	4700904586	1	Elbow 45°	
9	4812113621	1	Hydraulic block	
10	4812114189	1	Straight connector orfs	
11	4700904171	1	O-ring	
12	4700904637	4	Washer	
13	4700508060	2	Screw	
14	4700508014	2	Screw M10x60	

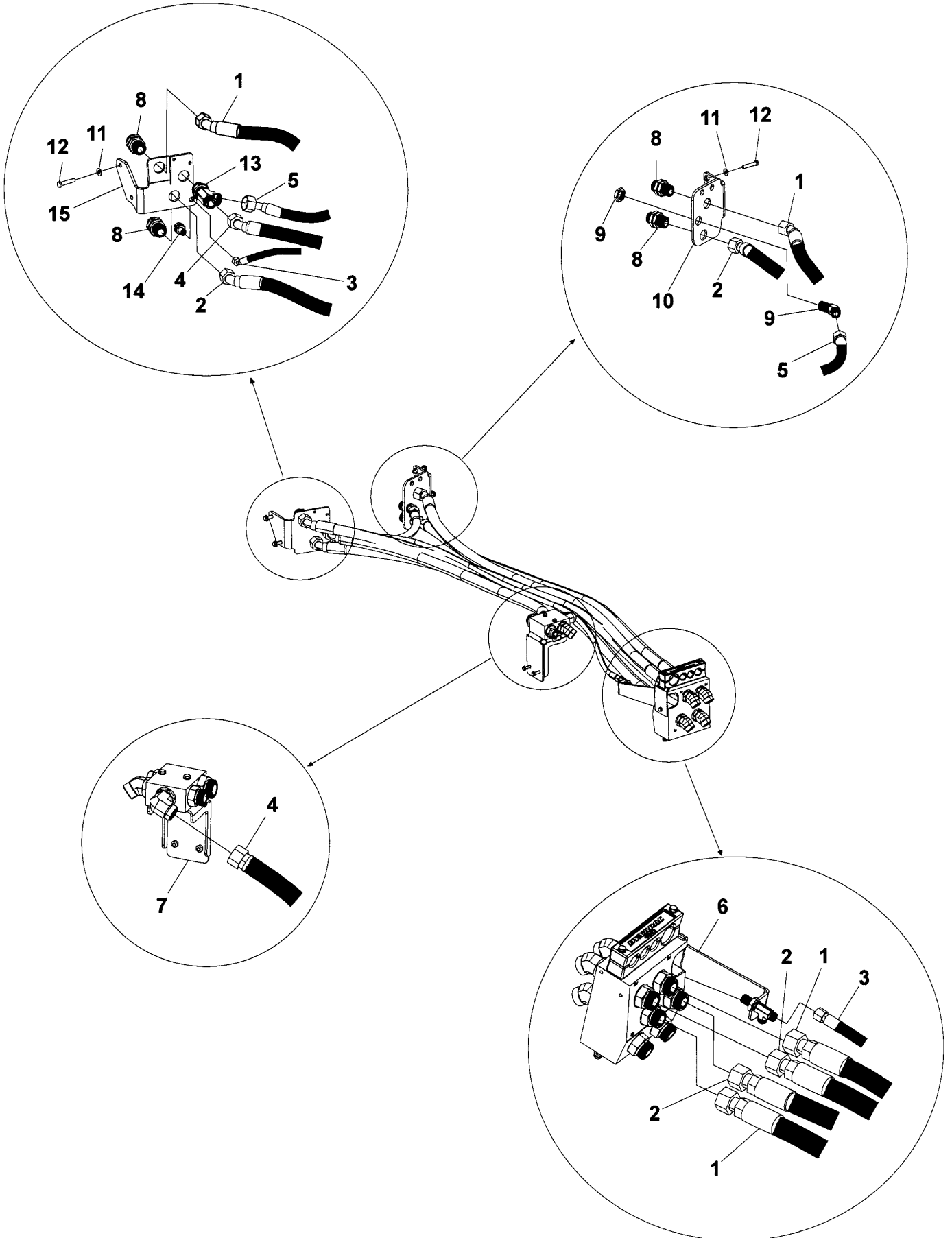
4812118151 Hydraulic pump



## 4812118151 Hydraulic pump

Item	Part No	Rem Qty	Description	Code
	4812118151	1	<b>Hydraulic pump ( Page 294 )</b>	
1		1	. Snap ring	
2		1	. Shaft seal	
3		1	. Mounting flange	
4		2	. Back-up ring	
5		2	. Seal	
6		4	. Bearing block	
7		4	. O-ring	
8		4	. Dowel pin 1	
9		1	. Gear housing 1	
10		1	. Gear housing 2	
11		2	. Dowel pin 2	
12		1	. Drive gear 1	
13		1	. Idler gear 1	
14		1	. Drive gear 2	
15		1	. Idler gear 2	
16		1	. Coupling	
17		1	. Distance plate	
18		2	. Back-up ring	
19		2	. Seal	
20		1	. End cover	
21		4	. Screw	
22	4812158395	1	. Seal kit, cpl	

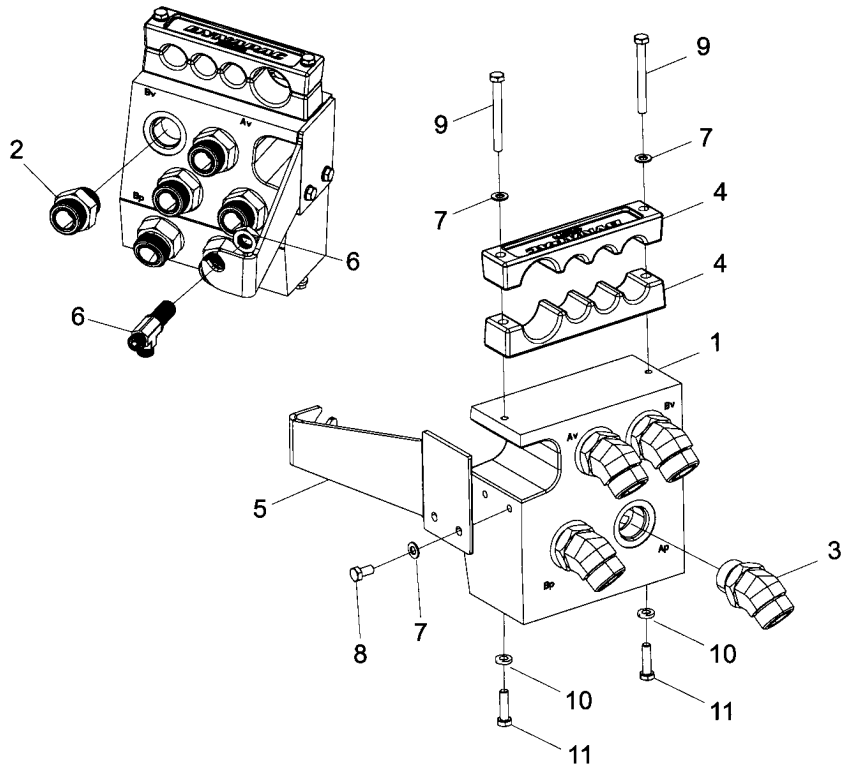
Hydraulic system, frame rear



## Hydraulic system, frame rear

Item	Part No	Rem Qty	Description	Code
1	4811000203	2	Hydraulic hose	
2	4811000204	2	Hydraulic hose	
3	4811000205	1	Hydraulic hose	
4	4811000201	1	Hydraulic hose	
5	4811000200	1	Hydraulic hose	
6		1	<b>Connector kit ( Page 298 )</b>	
7		1	<b>Connector kit ( Page 300 )</b>	
8	4812112559	1	Bulkhead union	
9	4811000261	1	Bulkhead elbow 45	
10	4812112341	1	Bracket	
11	4700904230	4	Steel plain washer	
12	4700500161	4	Hexagon head screw	
13	4811000263	1	Bulkhead union	
14	4700791830	1	Bulkhead union	
15	4812115832	1	Bracket	

Connector kit

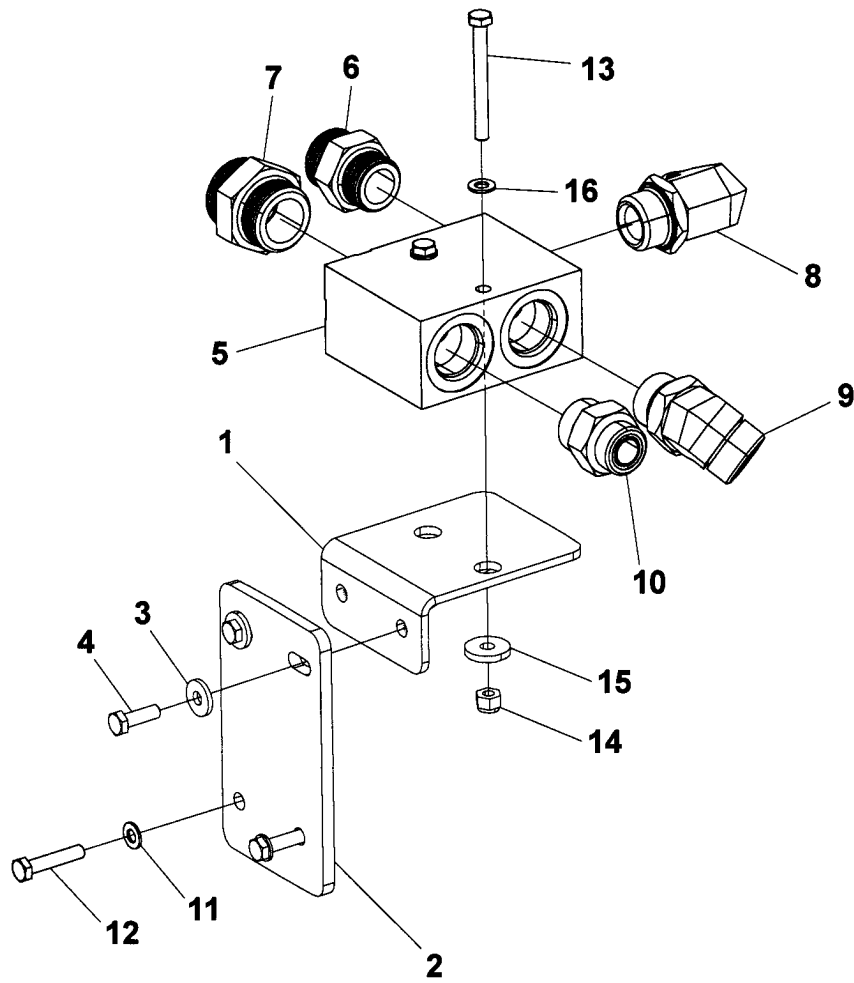




## Connector kit

Item	Part No	Rem Qty	Description	Code
1	4812111768	1	Hydraulic block	
2	4700792339	6	Straight connector orfs	
3	4700791212	4	Elbow 45°	
4	4812111771	2	Hose holder	
5	4812111770	1	Holder	
6	4812114492	1	Bulkhead union	
7	4700904229	4	Steel plain washer 8,4x16x1,5	
8	4700500019	2	Screw M8x16H 8.8 A2K	
9	4700500090	2	Screw	
10	4700904556	2	Washer 8,4x16x3,0	
11	4700500022	2	Screw M8x30H 8.8	

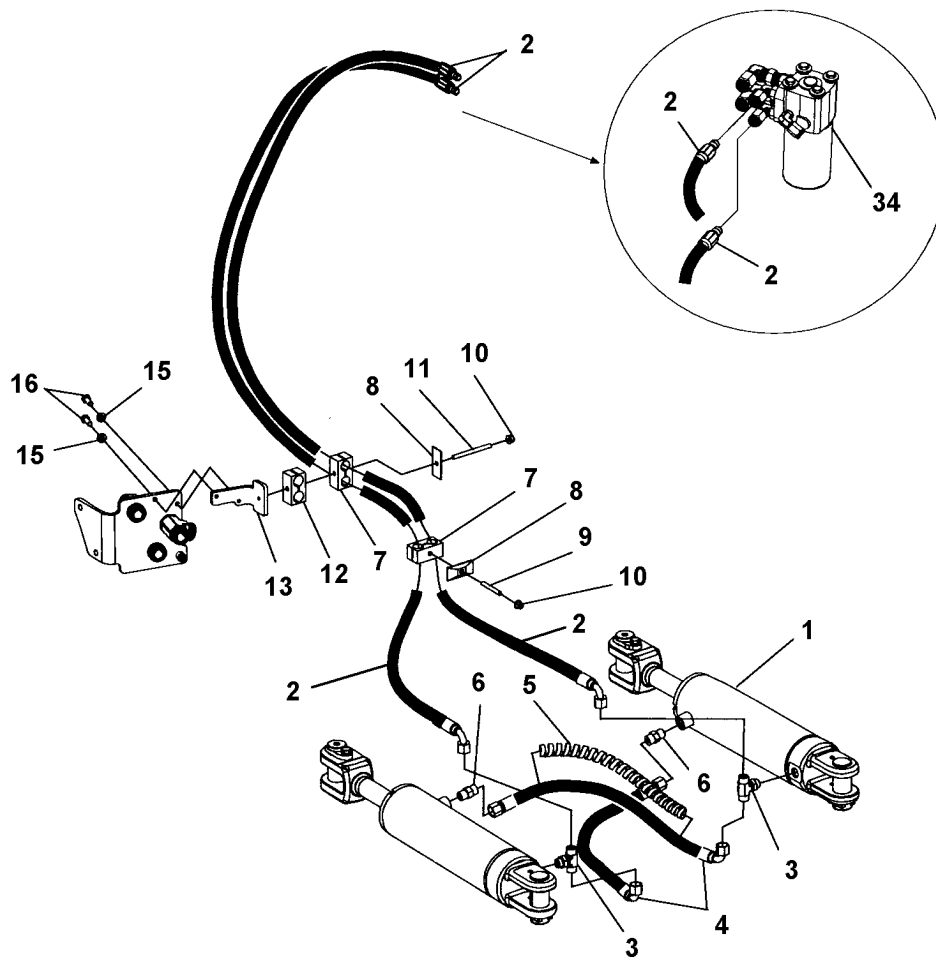
**Connector kit**



## Connector kit

Item	Part No	Rem Qty	Description	Code
1	4812115463	1	Holder	
2	4812115464	1	Holder	
3	4700904640	2	Washer 8,4x22x3	
4	4700500021	2	Screw M8-1,25x25 8.8	
5	4812111769	1	Hydraulic block	
6	4700792339	1	Straight connector orfs	
7	4812112555	1	Straight connector orfs	
8	4700792299	1	Elbow 90°	
9	4700791212	1	Elbow 45°	
10	4700791318	1	Straight connector	
11	4700904229	2	Steel plain washer 8,4x16x1,5	
12	4700500023	2	Screw M8-1,25x40 8,8	
13	4700500090	2	Screw	
14	4700586003	2	Lock nut M8	
15	4700904734	2	Washer 8,4x26x4	
16	4700604005	1	Spring washer	

Hydraulic system, steering

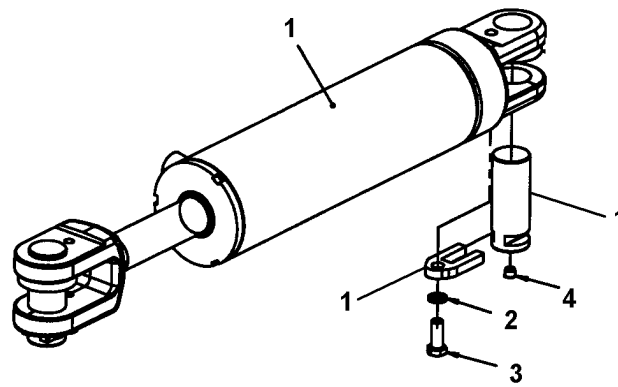


**Hydraulic system, steering**

Item	Part No	Rem	Qty	Description	Code
1			2	<b>Hydraulic cylinder ( Page 304 )</b>	
2	4811000207		2	Hydraulic hose	
3	4700792586		2	T-connector ORFS	
4	4811000206		2	Hydraulic hose	
5	4700904623	A	1XL	Hose guard	
6	4700791799		2	Straight connector orfs	
7	4700903456		2	Pipe clamp	
8	4700904872		2	Cover plate	
9	4700792500		1	Stud	
10	4700902286		2	Hexagon lock nut with flange	
11	4700791807		1	Stud	
12	4700287295		1	Clamp	
13	4812113983		1	Bracket	
15	4700904229		2	Steel plain washer 8,4x16x1,5	
16	4700500053		2	Screw M8x20H 8.8	
34			1	<b>Steering valve module ( Page 306 )</b>	

A) L=0.4m

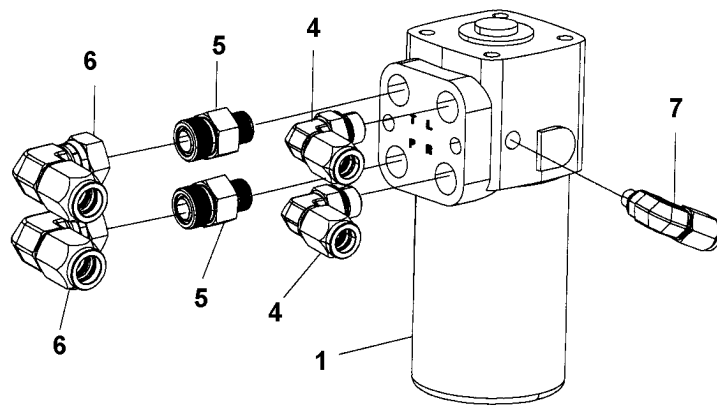
**Hydraulic cylinder**



## Hydraulic cylinder

Item	Part No	Rem Qty	Description	Code
1	4812120831	1	Hydraulic cylinder	
2	4700900994	2	Lock washer	
3	4700500046	2	Screw M12x025H	
4	4700792083	2	Plug	

**Steering valve module**

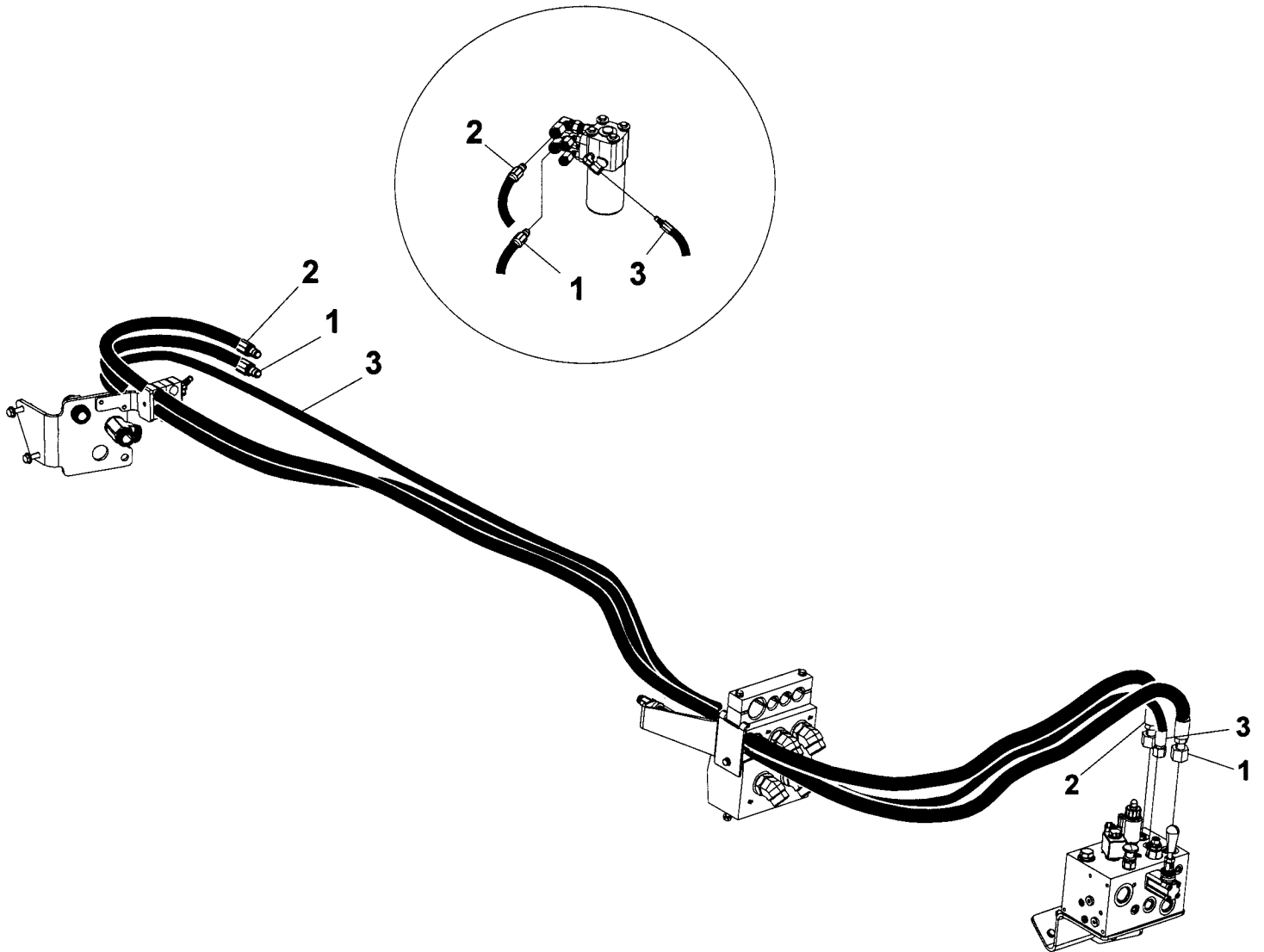




**Steering valve module**

<b>Item</b>	<b>Part No</b>	<b>Rem Qty</b>	<b>Description</b>	<b>Code</b>
1	4812112290	1	Steering valve	
4	4812115063	2	Elbow connector 90°	
5	4811000074	2	Straight connector orfs	
6	4812115064	2	Elbow connector 90°	
7	4812115065	1	Elbow connector 90°	

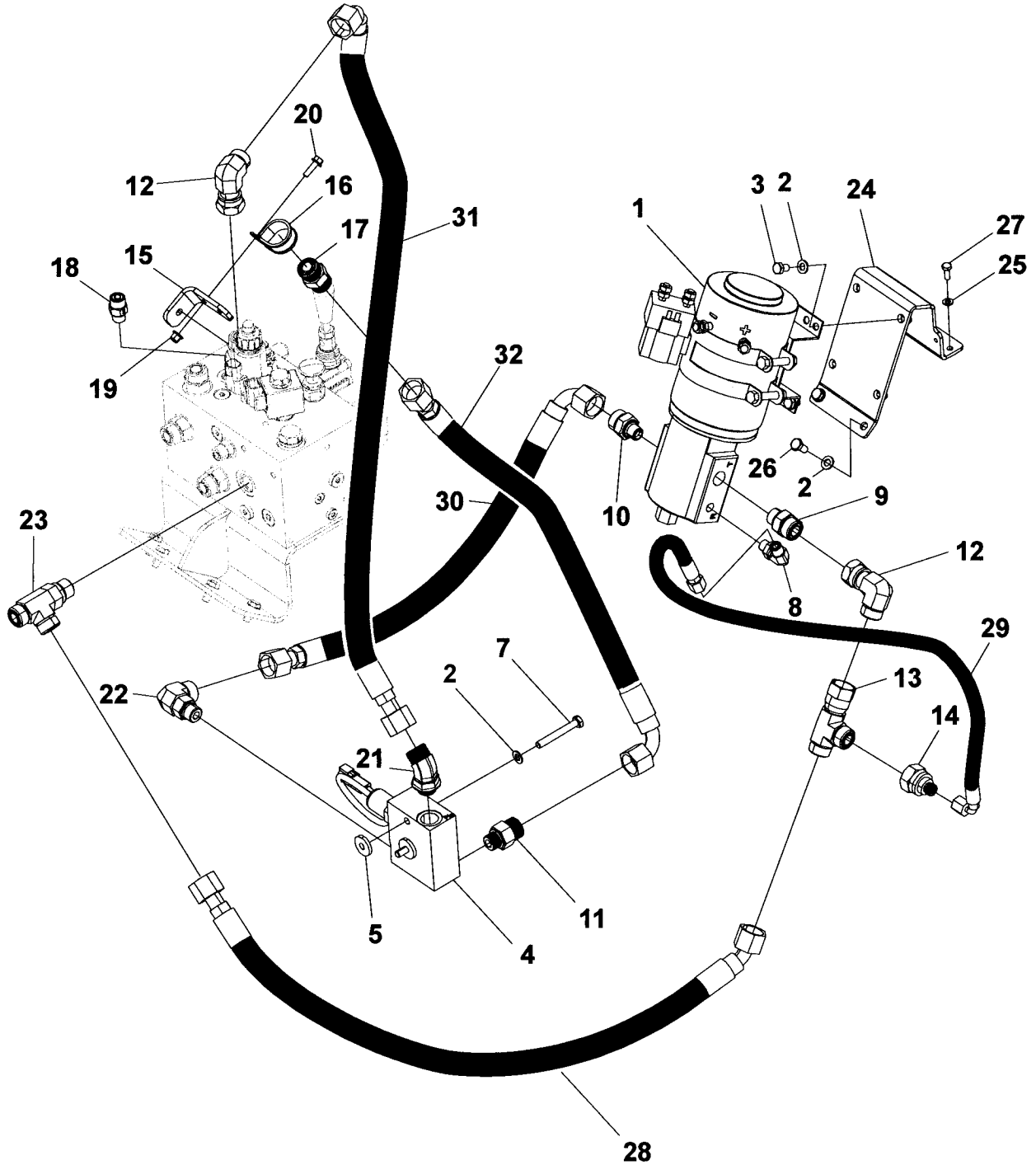
Hydraulic hoses, steering



## Hydraulic hoses, steering

Item	Part No	Rem Qty	Description	Code
1	4811000407	1	Hydraulic hose uptc	
2	4811000408	1	Hydraulic hose uptc	
3	4811000409	1	Hydraulic hose uptc	

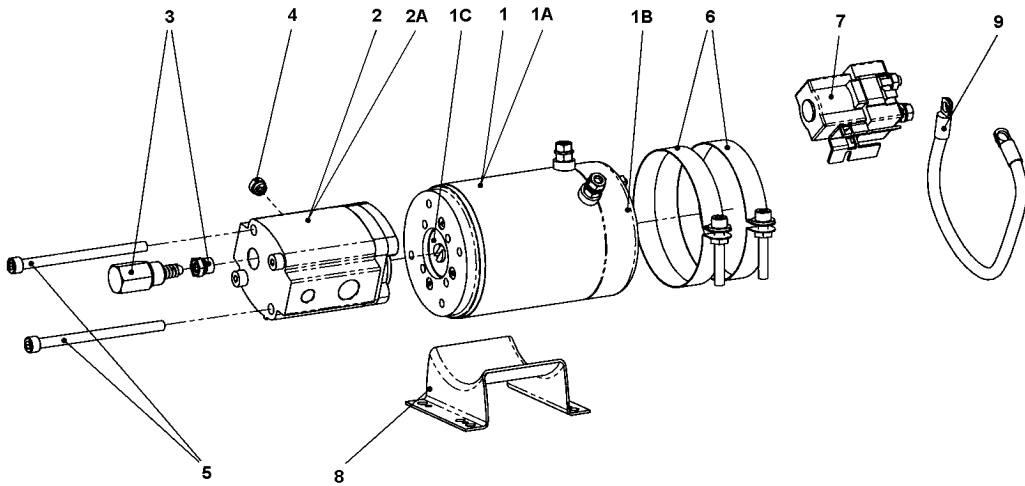
Hydraulic system, emergency steering



## Hydraulic system, emergency steering

Item	Part No	Rem Qty	Description	Code
1	4812112188	1	<b>Hydraulic pump Emergency steering unit ( Page 312 )</b>	
2	4700904229	8	Steel plain washer 8,4x16x1,5	
3	4700500018	4	Screw M8-1,25x12 8,8	
4	4812112236	1	<b>Hydraulic valve ( Page 314 )</b>	
5	4700904734	2	Washer 8,4x26x4	
7	4700500026	2	Screw M8-1,25x60 8,8	
8	4700791397	1	Elbow 90°, O-ring	
9	4700792074	1	Straight connector	
10	4700792093	1	Straight connector orfs	
11	4811000074	1	Straight connector orfs	
12	4700904766	2	Elbow connector 90°	
13	4700791832	1	Tee-connector	
14	4811000305	1	Reducer	
15	4812116807	1	Bracket	
16	4700921084	1	Pipe clamp	
17	4700904943	1	Connector	
18	4812117024	1	Check valve	
19	4700902285	1	Hexagon lock nut with flange	
20	4700500501	1	Screw M6x20	
21	4700792809	1	Elbow 90 orfs	
22	5501178300	1	Connector elbow 90 orfs	
23	4700791834	1	T-connector ORFS	
24	4812118887	1	Bracket	
25	4700904228	2	Washer 6,4x12x1,5	
26	4700500019	2	Screw M8x16H 8.8 A2K	
27	4700500013	2	Screw M6-1x16 8,8	
28	4812118917	1	Hydraulic hose	
29	4812118918	1	Hydraulic hose	
30	4811000393	1	Hydraulic hose	
31	4812118920	1	Hydraulic hose	
32	4812118921	1	Hydraulic hose	

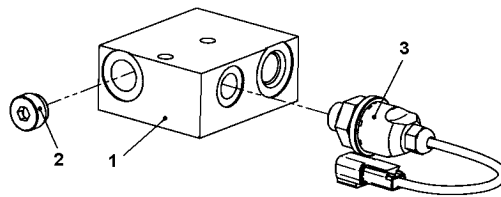
4812112188 Hydraulic pump Emergency steering unit



**4812112188 Hydraulic pump Emergency steering unit**

<b>Item</b>	<b>Part No</b>	<b>Rem Qty</b>	<b>Description</b>	<b>Code</b>
	4812112188	1	<b>Hydraulic pump Emergency steering unit ( Page 312 )</b>	
1	4812157656	1	. Motor	
1-A		1	. Brush kit	
1-B	4812157471	1	. Ball bearing	
1-C	4812157472	1	. Ball bearing	
2	4812157657	1	. Pump	
2-A	4812157473	1	. Seal kit	
3		1	. Relief valve kit	
4		1	. Check valve	
5		2	. Screw	
6		2	. Clamp cpl	
7	4812157474	1	. Start switch	
8		1	. Motor bracket	
9		1	. Connection cable	

**4812112236 Hydraulic valve**





## 4812112236 Hydraulic valve

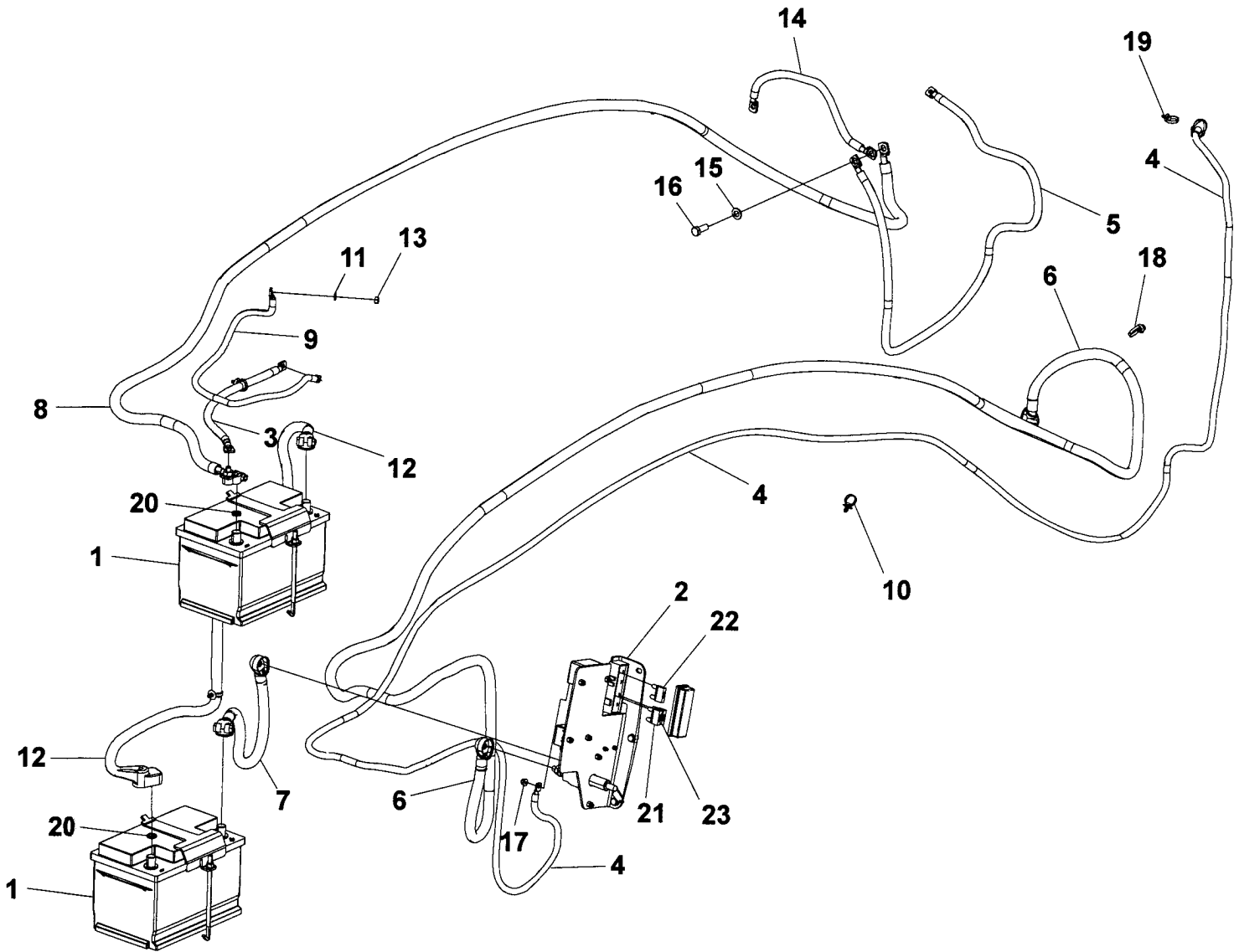
Item	Part No	Rem Qty	Description	Code
	4812112236	1	Hydraulic valve ( Page 314 )	
1		1	. Valve block	
2		1	. Check valve	
3		1	. Pressure switch cpl	

Electric equipment

## Electric equipment

Item	Part No	Rem Qty	Description	Code
1		1	Electric cables, power supply, 1-pole ( Page 318 )	
2		1	Electric cables, power supply, 2-pole, option ( Page 324 )	
3		1	Electrical cables, engine - ECU Horn, back-up alarm ( Page 328 )	
4		1	Cable harness kit Power supply cab ( Page 342 )	
5		1	Driving & side direction lights, number plate light, option ( Page 344 )	
6		1	Reversing light, option ( Page 356 )	
7		1	DCA/GPS equipment module, option ( Page 360 )	
8		1	Tachograph, option ( Page 370 )	
9		1	Speed sensor, frequency sensor, option ( Page 376 )	
10		1	Pre-heater installation, option ( Page 380 )	
11		1	Rotating beacon, working light, option ( Page 384 )	
12		1	Cable harness, emergency steering, option ( Page 392 )	
13		1	Displacement shift ( Page 394 )	
14		1	Compaction meter, option ( Page 396 )	
15		1	External emergency stop, option ( Page 400 )	

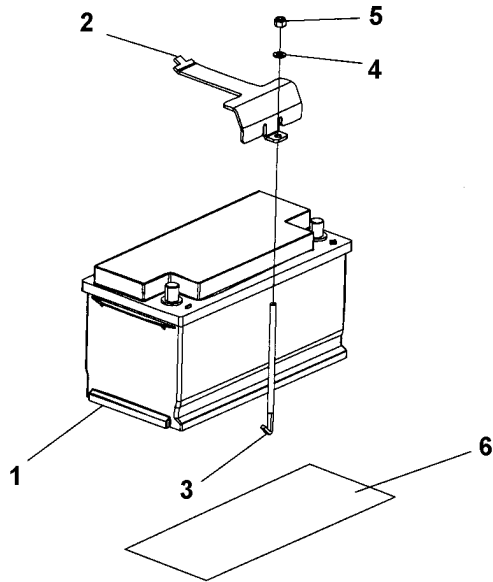
Electric cables, power supply, 1-pole



## Electric cables, power supply, 1-pole

Item	Part No	Rem Qty	Description	Code
1		2	<b>Battery module ( Page 320 )</b>	
2		1	<b>Battery disconnecter module ( Page 322 )</b>	
3	4811000178	1	Connection cable, coarse	
4	4812115912	1	Connection cable	
5	4700792769	1	Connection cable, coarse	
6	4812119062	1	Connection cable, coarse	
7	4811000176	1	Battery cable	
8	4812118752	1	Battery cable	
9	4700791518	1	Connection cable, coarse	
10	4700792441	N	Cable tie with holder	
11	4700904229	1	Steel plain washer 8,4x16x1,5	
12	4812118467	1	Battery union cable	
13	4700570005	1	Nut M8	
14	4700335607	1	Connection cable, coarse	
15	4700904231	1	Washer 13x24x2 300 HV	
16	4700500046	1	Screw M12x025H	
17	4700570101	1	Nut M6	
18	4700792602	1	Cable tie with holder	
19	4812115911	1	Cable tie with holder	
20	4812118154	2	Spacer	
21	4700791450	1	Fuse 100A Violet High	
22	4700904039	1	Fuse 50A Red High	
23	4700904037	1	Fuse 30A	

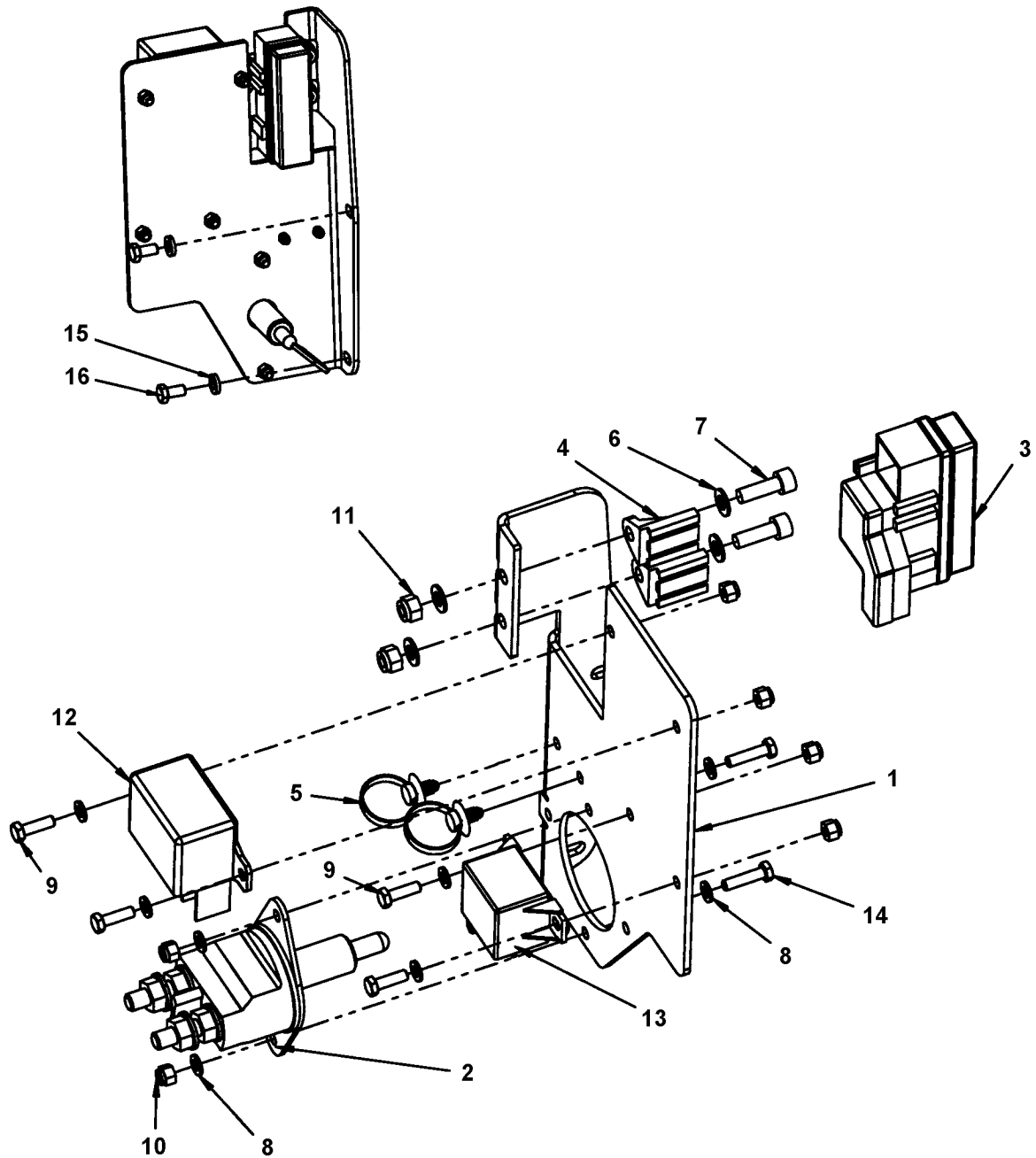
**Battery module**



**Battery module**

<b>Item</b>	<b>Part No</b>	<b>Rem Qty</b>	<b>Description</b>	<b>Code</b>
1		1	Battery 12V, 74 Ah (278x175x190)	
2	4700396634	1	Battery holder	
3	4700396635	1	Battery screw	
4	4700904229	1	Steel plain washer 8,4x16x1,5	
5	4700586003	1	Lock nut M8	
6	4700355608	1	Slip protection	

Battery disconnecter module





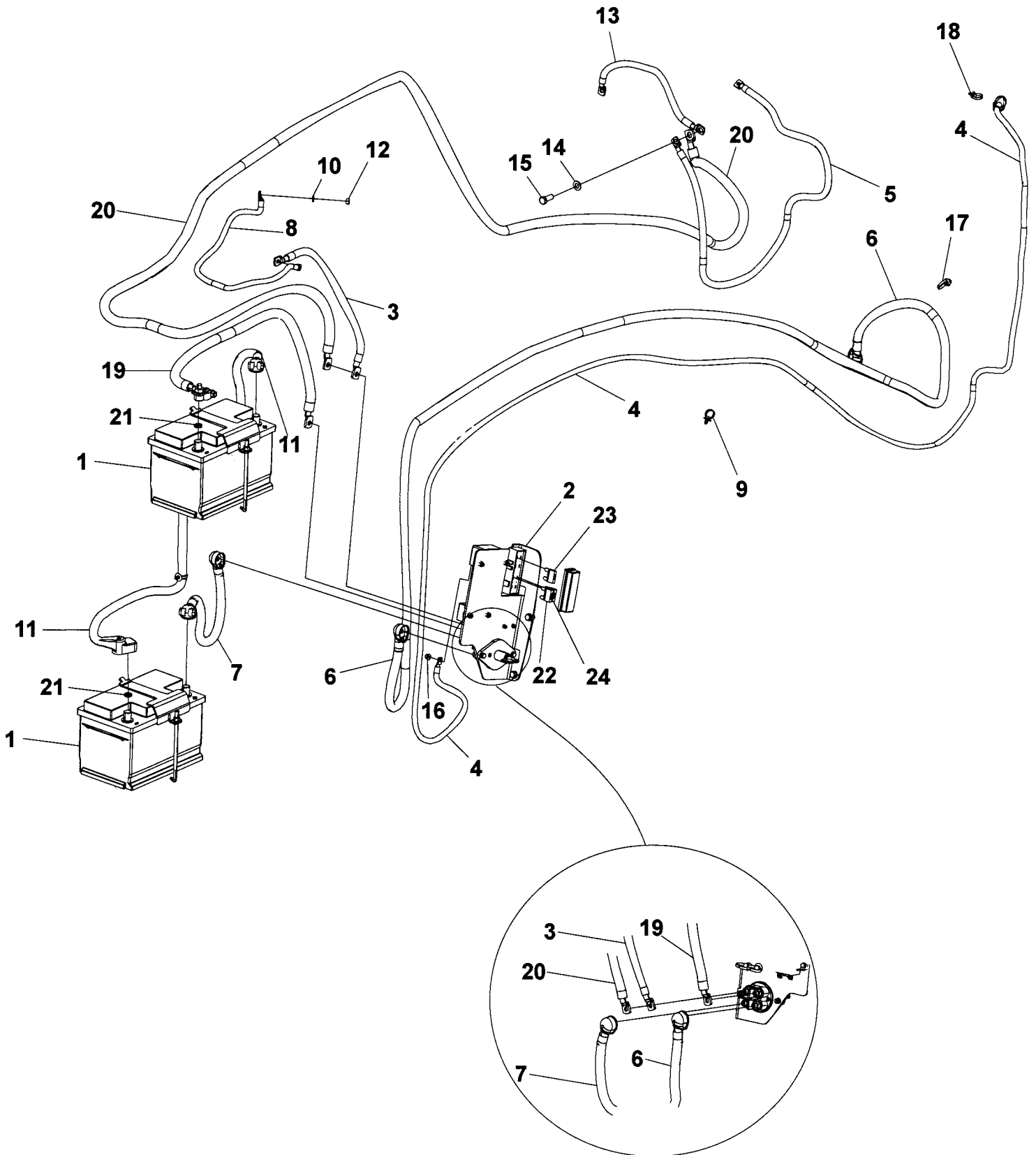
## Battery disconnecter module

Item	Part No	Rem Qty	Description	Code
1	4812116861	1	Holder	
2	4700903640	1	Battery switch	
	4700903641	1	. Key	
3	4812111981	1	Fuse holder	
4	4812112000	2	Fuse holder	
5	4700792441	2	Cable tie with holder	
6	4700904229	4	Steel plain washer 8,4x16x1,5	
7	4700508019	2	Screw M8x25 8.8	
8	4700904228	8	Washer 6,4x12x1,5	
9	4700500040	4	Screw M6-1x20 8,8	
10	4700586002	6	Lock nut M6 -8	
11	4700586003	2	Lock nut M8	
12	4700792310	B	Relay 120A	
13	4700792309	A	Relay 50A	
14	4700500075	2	Screw M6-1,0x25 8.8	
15	4700904556	2	Washer 8,4x16x3,0	
16	4700500019	2	Screw M8x16H 8.8 A2K	

A) Starter relay.

B) Grid heater relay.

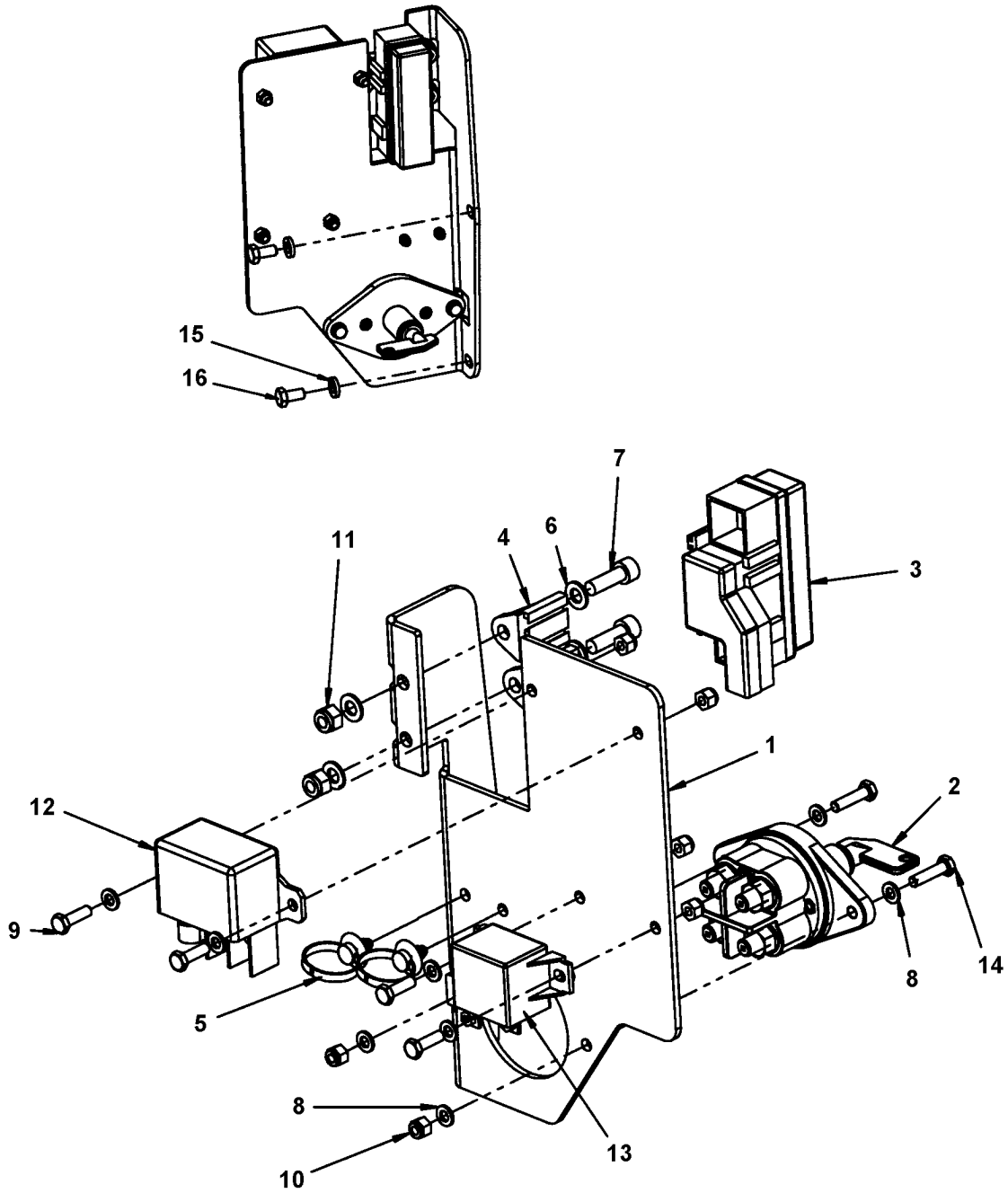
Electric cables, power supply, 2-pole, option



## Electric cables, power supply, 2-pole, option

Item	Part No	Rem Qty	Description	Code
1		2	<b>Battery module ( Page 320 )</b>	
2		1	<b>Battery disconnecter, 2-pole ( Page 326 )</b>	
3	4812118385	1	Connection cable, coarse	
4	4812115912	1	Connection cable	
5	4700792769	1	Connection cable, coarse	
6	4812119062	1	Connection cable, coarse	
7	4811000176	1	Battery cable	
8	4700791518	1	Connection cable, coarse	
9	4700792441	N	Cable tie with holder	
10	4700904229	1	Steel plain washer 8,4x16x1,5	
11	4812118467	1	Battery union cable	
12	4700570005	1	Nut M8	
13	4700335607	1	Connection cable, coarse	
14	4700904231	1	Washer 13x24x2 300 HV	
15	4700500046	1	Screw M12x025H	
16	4700570101	1	Nut M6	
17	4700792602	1	Cable tie with holder	
18	4812115911	1	Cable tie with holder	
19	4812116362	1	Battery cable	
20	4812116972	1	Connection cable, coarse	
21	4812118154	2	Spacer	
22	4700791450	1	Fuse 100A Violet High	
23	4700904039	1	Fuse 50A Red High	
24	4700904037	1	Fuse 30A	

Battery disconnecter, 2-pole

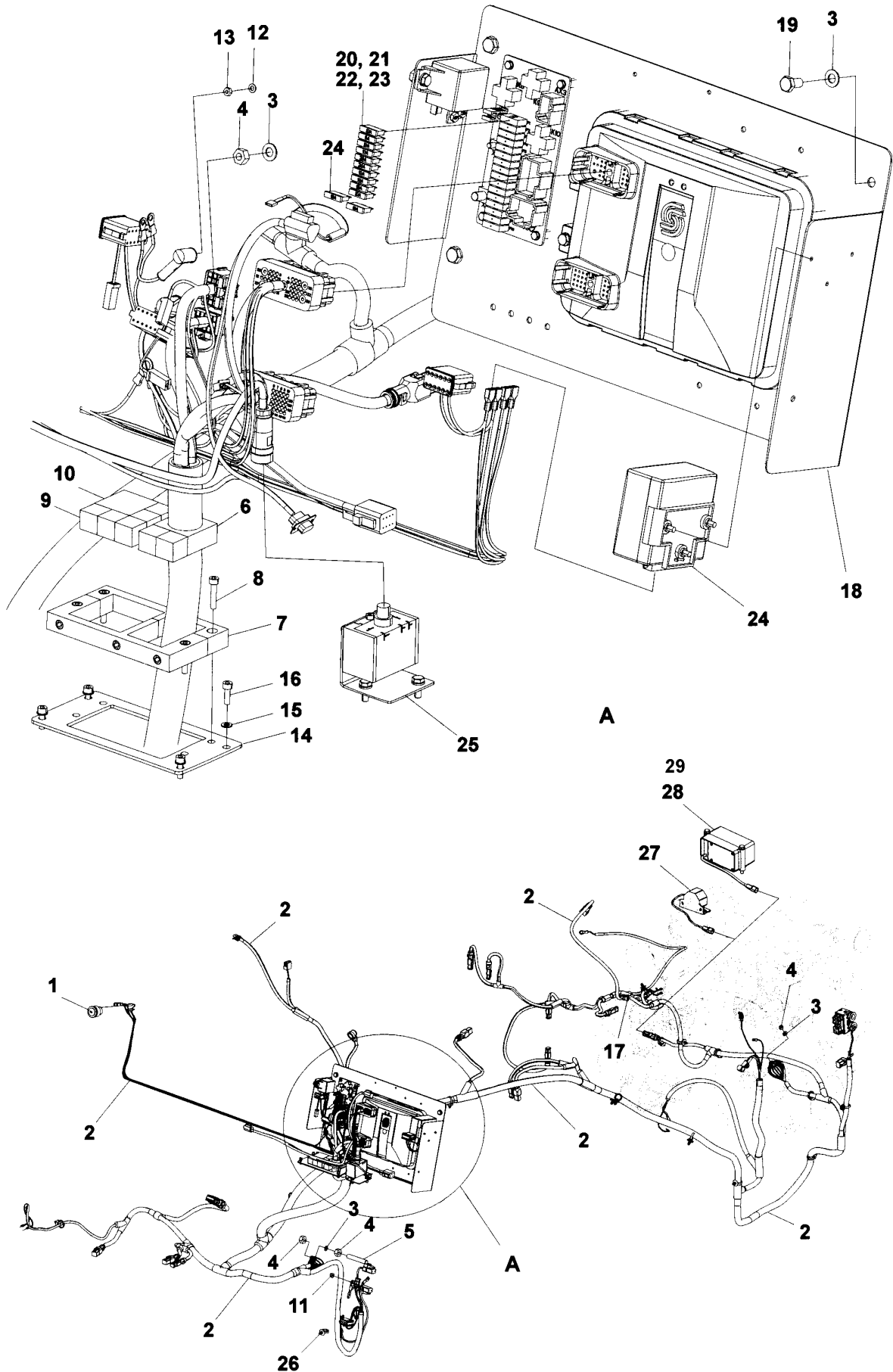


**Battery disconnecter, 2-pole**

<b>Item</b>	<b>Part No</b>	<b>Rem Qty</b>	<b>Description</b>	<b>Code</b>
1	4812116861	1	Holder	
2	4812116877	1	Battery switch	
3	4812111981	1	Fuse holder	
4	4812112000	2	Fuse holder	
5	4700792441	2	Cable tie with holder	
6	4700904229	4	Steel plain washer 8,4x16x1,5	
7	4700508019	2	Screw M8x25 8.8	
8	4700904228	8	Washer 6,4x12x1,5	
9	4700500040	4	Screw M6-1x20 8,8	
10	4700586002	6	Lock nut M6 -8	
11	4700586003	2	Lock nut M8	
12	4700792310	B	Relay 120A	
13	4700792309	A	Relay 50A	
14	4700500075	2	Screw M6-1,0x25 8.8	
15	4700904556	2	Washer 8,4x16x3,0	
16	4700500019	2	Screw M8x16H 8.8 A2K	

- A) Starter relay.
- B) Grid heater relay.

Electrical cables, engine - ECU Horn, back-up alarm

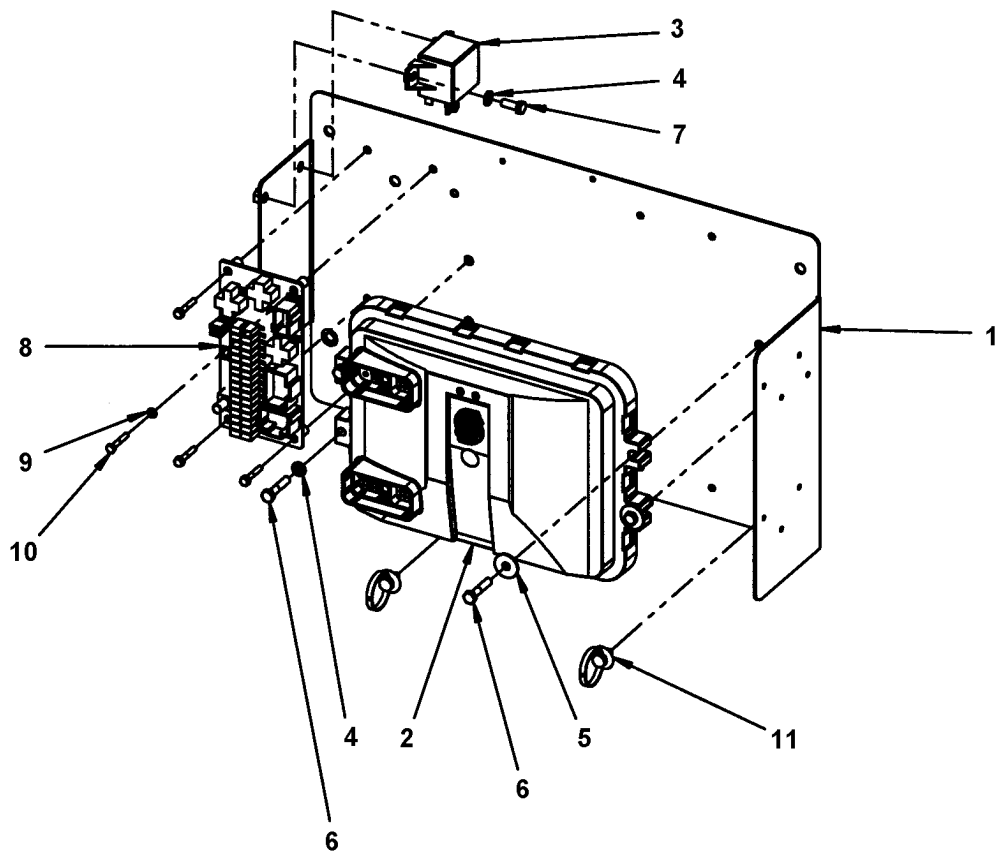


Electrical cables, engine - ECU Horn, back-up alarm

Item	Part No	Rem	Qty	Description	Code
1	4812110560	A	1	Power socket 12V 16A	
2	4812114460		1	Cable harness	
3	4700904229		7	Steel plain washer 8,4x16x1,5	
4	4700570005		4	Nut M8	
5	0248998073		1	Threaded stud	
6	4812112067		1	Cable entry insert	
7	4812112065		1	Cable entry frame	
8	4700508023		4	Hexagon socket head cap screw	
9	4812112066		7	Cable entry insert	
10	4812112070		1	Cable entry insert	
11	4700902285		1	Hexagon lock nut with flange	
12	4700904698		1	Washer 4,3x8x0,8	
13	4700570002		1	Nut M4	
14	4812114426		1	Holder	
15	4700904281		4	Washer 5,3x10x1 300HV	
16	4700926537		4	Screw M5-0,8x16H 8,8	
17	4700792537		1	Cable tie with holder	
18			1	<b>Standard ECU assembly ( Page 330 )</b>	
19	4700500019		4	Screw M8x16H 8.8 A2K	
20	4700901225		1	Fuse 5A	
21	4700901227		7	Fuse 10A	
22	4700903741		2	Fuse 20A Yellow Medium	
23	4700901228		1	Fuse 15A	
24			1	<b>Power converter module ( Page 332 )</b>	
25			1	<b>Inclination sensor module ( Page 334 )</b>	
26	4700792441	N		Cable tie with holder	
27			1	<b>Back-up alarm module ( Page 336 )</b>	
28		B	1	<b>Back-up alarm module ( Page 338 )</b>	
29			1	<b>Bracket module ( Page 340 )</b>	

- A) Option.
- B) Quacker.

Standard ECU assembly



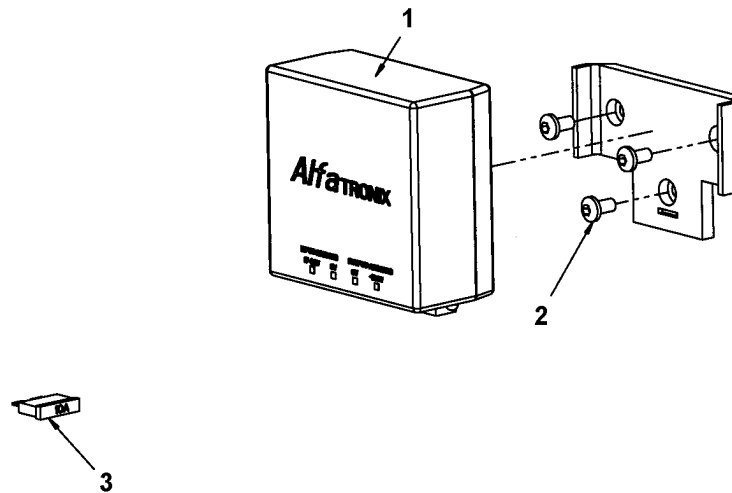


## Standard ECU assembly

Item	Part No	Rem	Qty	Description	Code
1	4812114619		1	Mounting plate	
2	4700390860		1	Control unit	
3	4700792309	A	1	Relay 50A	
4	4700904228		4	Washer 6,4x12x1,5	
5	4700928467		2	Washer	
6	4700500015		4	Screw M6-1x30 8,8	
7	4700500013		2	Screw M6-1x16 8,8	
8	4812114655		1	Circuit board	
9	4700904698		4	Washer 4,3x8x0,8	
10	4700904312		4	Screw M4x25 8,8	
11	4700792441		2	Cable tie with holder	

A) Main.

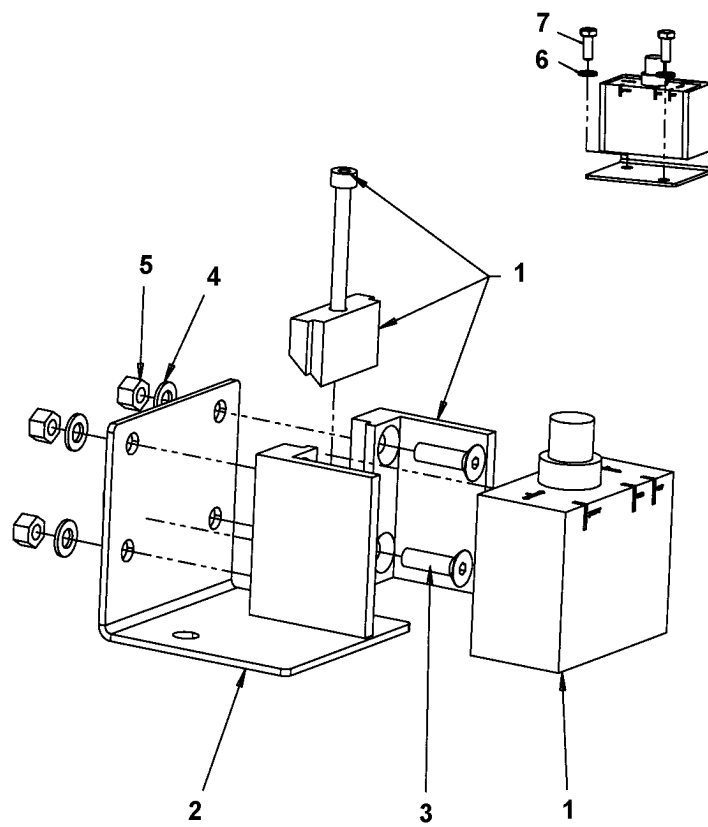
**Power converter module**



**Power converter module**

<b>Item</b>	<b>Part No</b>	<b>Rem Qty</b>	<b>Description</b>	<b>Code</b>
1	4812112017	1	Power converter	
2	4700792210	3	Screw torx	
3	4700901227	1	Fuse 10A	

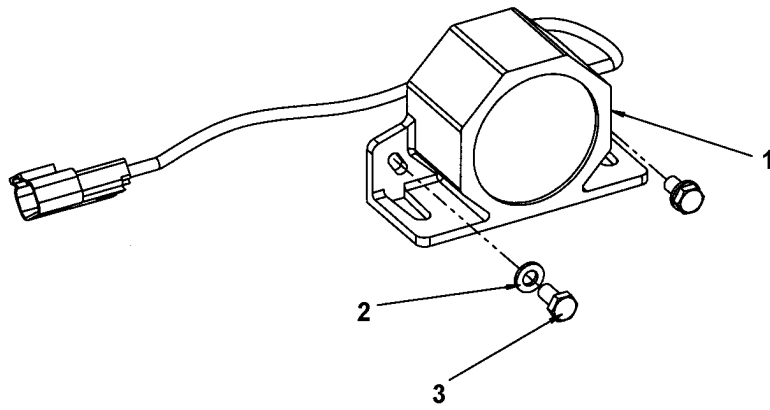
Inclination sensor module



## Inclination sensor module

Item	Part No	Rem Qty	Description	Code
1	4812112686	1	Inclination sensor	
2	4812112691	1	Holder	
3	4700904504	4	Screw M5 x 18	
4	4700904281	4	Washer 5,3x10x1 300HV	
5	4700570003	4	Nut M5	
6	4700904228	2	Washer 6,4x12x1,5	
7	4700500013	2	Screw M6-1x16 8,8	

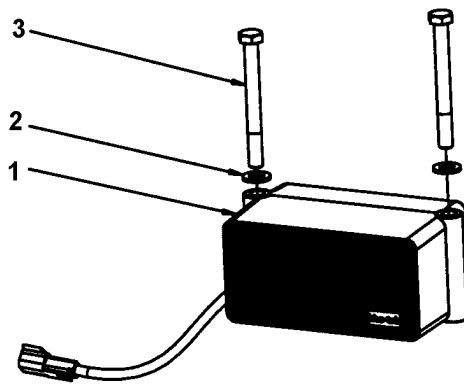
**Back-up alarm module**



**Back-up alarm module**

<b>Item</b>	<b>Part No</b>	<b>Rem Qty</b>	<b>Description</b>	<b>Code</b>
1	4700904911	1	Back-up alarm 97 dB	
2	4700904228	2	Washer 6,4x12x1,5	
3	4700500012	2	Screw M6x12	

**Back-up alarm module**

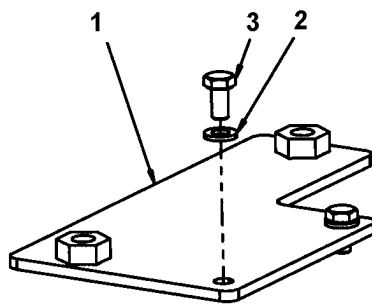




**Back-up alarm module**

<b>Item</b>	<b>Part No</b>	<b>Rem Qty</b>	<b>Description</b>	<b>Code</b>
1	4812117108	1	Back-up alarm	
2	4700904570	2	Steel plain washer	
3	4700792776	2	Hexagon head screw	

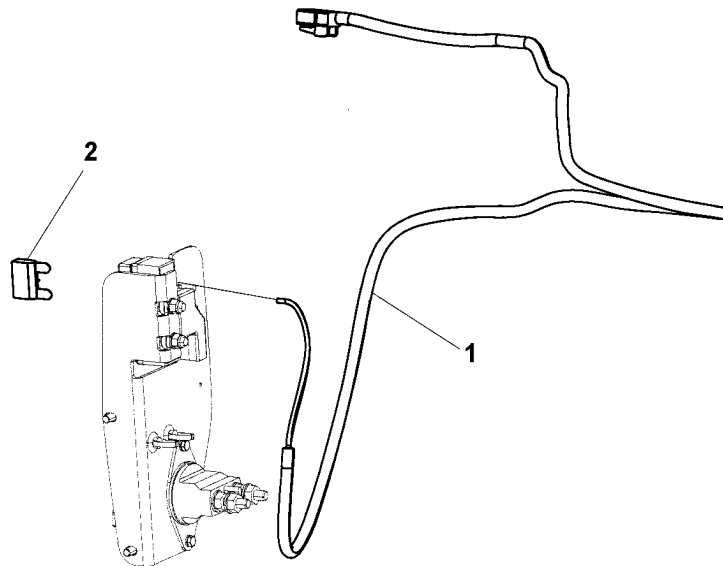
**Bracket module**



## Bracket module

Item	Part No	Rem Qty	Description	Code
1	4812117149	1	Bracket	
2	4700904228	2	Washer 6,4x12x1,5	
3	4700500012	2	Screw M6x12	

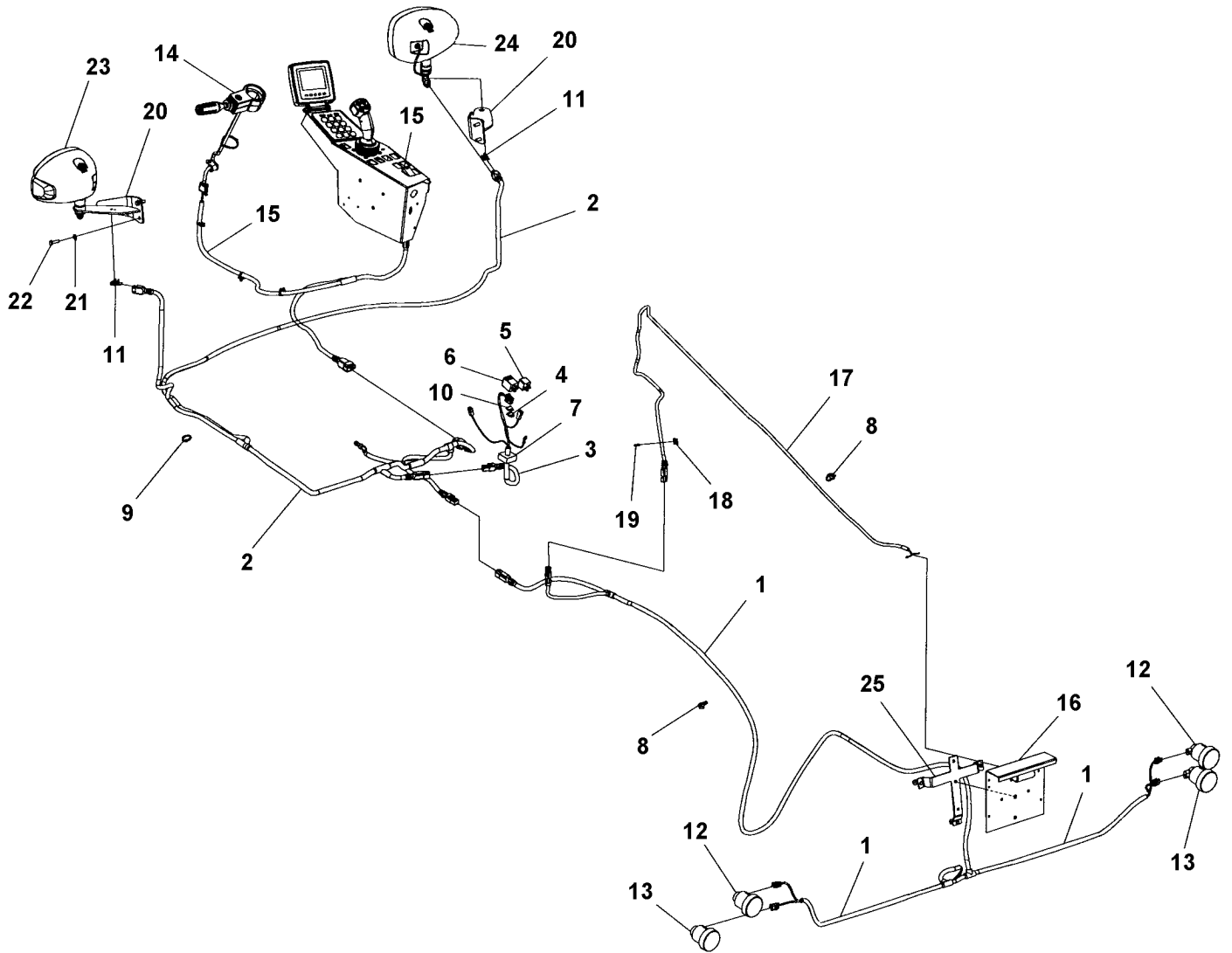
**Cable harness kit Power supply cab**



**Cable harness kit Power supply cab**

<b>Item</b>	<b>Part No</b>	<b>Rem Qty</b>	<b>Description</b>	<b>Code</b>
1	4812111241	1	Cable harness	
2	4700904037	1	Fuse 30A	

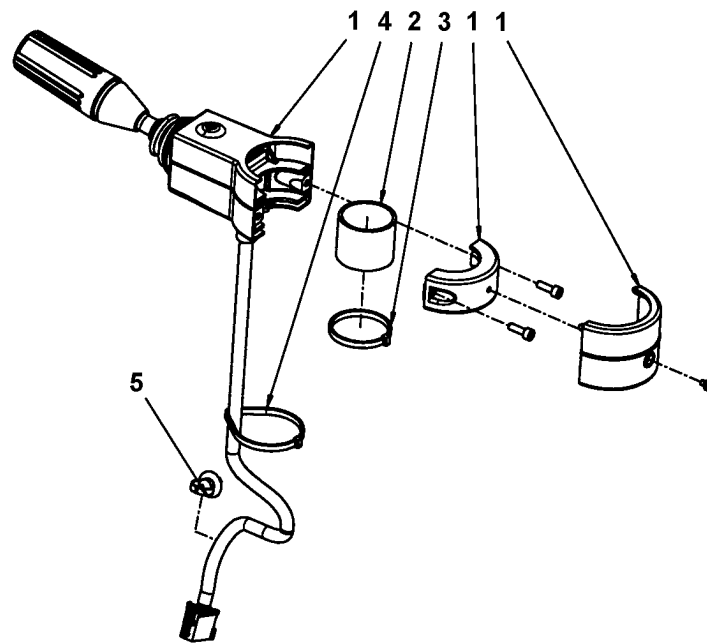
Driving & side direction lights, number plate light, option



Driving & side direction lights, number plate light, option

Item	Part No	Rem Qty	Description	Code
1	4812110884	1	Cable harness	
2	4812112374	1	Cable harness	
3	4812114656	1	Cable harness	
4	4700901227	1	Fuse 10A	
5	4700792422	1	Relay 20A	
6	4811000163	1	Flash relay	
7	4811000429	1	Cable entry insert	
8	4700792441	26	Cable tie with holder	
9	4700313041	11	Cable ties L=200 mm	
10	4700901226	1	Fuse 7.5A	
11	4812114873	2	Connector holder	
12	4700792520	2	Direction indicator	
13	4700792519	2	Brake/position light	
14		1	<b>Steering column switch module ( Page 346 )</b>	
15		1	<b>Cable harness kit ( Page 348 )</b>	
16		1	<b>Registration plate light module ( Page 350 )</b>	
17	4812112916	1	Cable harness	
18	4700395352	5	Cable tie holder	
19	4700313068	5	Cable ties L=100 mm	
20	4812112793	2	Bracket	
21	4700904229	4	Steel plain washer 8,4x16x1,5	
22	4700500021	4	Screw M8-1,25x25 8.8	
23	4812113117	A	1 Head light, right hand asymmetric	
	4812113140	A	1 Head light, left hand asymmetric	
24	4812113118	B	1 Head light, right hand asymmetric	
	4812113141	B	1 Head light, left hand asymmetric	
25		1	<b>Holder, Registration plate light ( Page 354 )</b>	
A)	Left			
B)	Right			

Steering column switch module

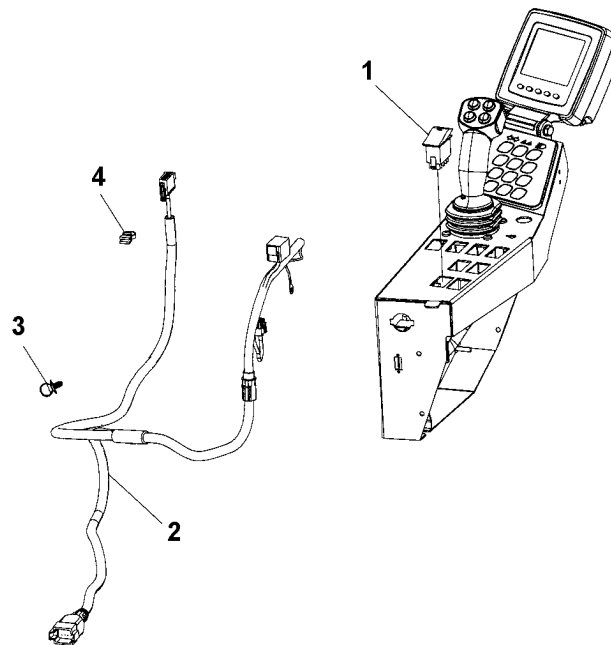




**Steering column switch module**

<b>Item</b>	<b>Part No</b>	<b>Rem Qty</b>	<b>Description</b>	<b>Code</b>
1	4700392450	1	Steering column switch	
2	4700392451	1	Rubber cloth	
3	4700313041	1	Cable ties L=200 mm	
4	4700792609	1	Cable ties	
5	4700921080	1	Clamp	

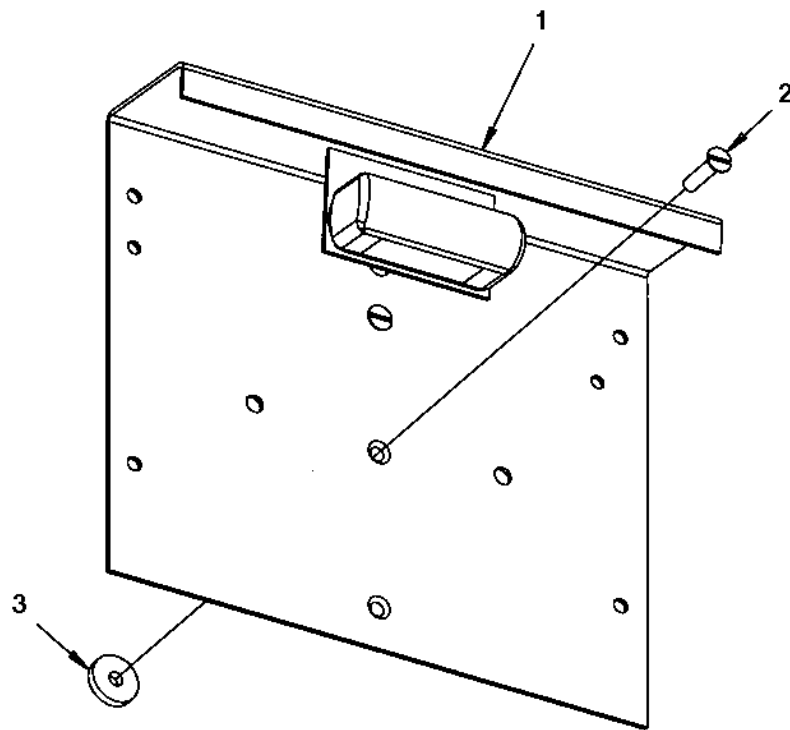
**Cable harness kit**



**Cable harness kit**

<b>Item</b>	<b>Part No</b>	<b>Rem Qty</b>	<b>Description</b>	<b>Code</b>
1	4700792398	1	Switch	
2	4812111248	1	Cable harness	
3	4700792441	2	Cable tie with holder	
4	4700792537	1	Cable tie with holder	

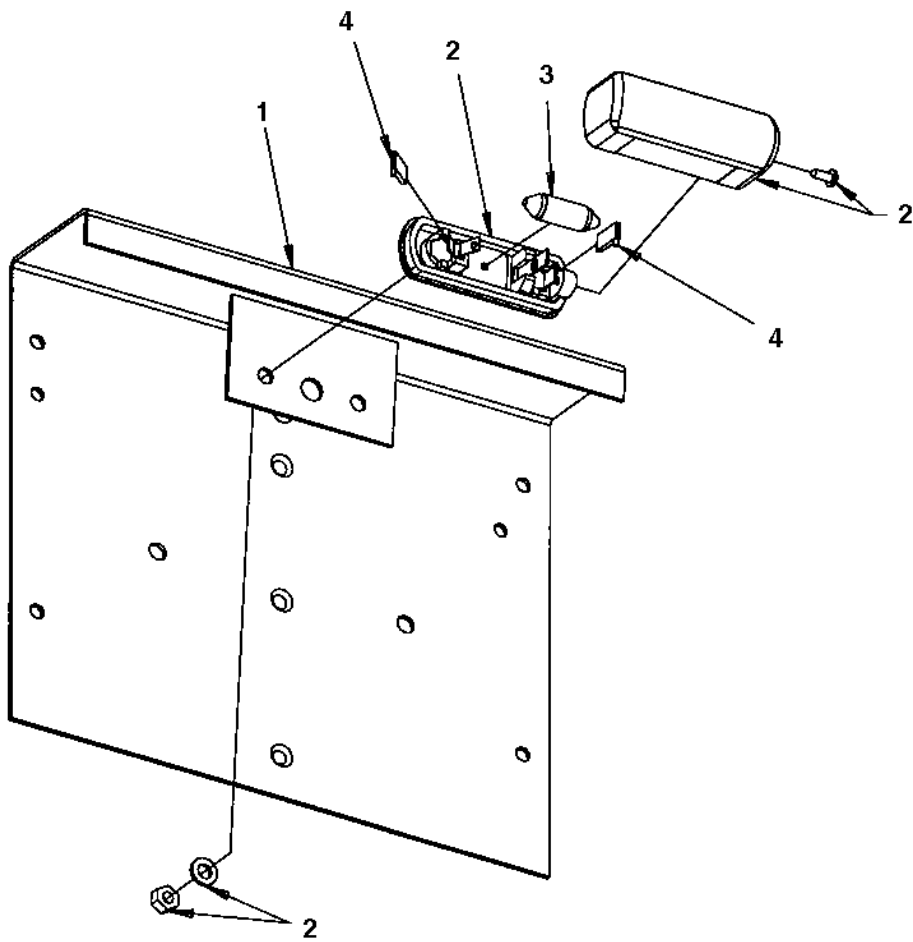
**Registration plate light module**



## Registration plate light module

Item	Part No	Rem Qty	Description	Code
1		1	Registration plate light ( Page 352 )	
2	4700928784	2	Screw	
3	4700904735	2	Washer	

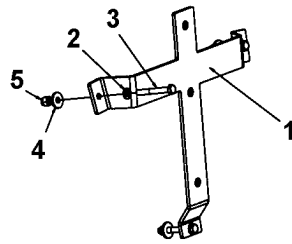
Registration plate light



**Registration plate light**

<b>Item</b>	<b>Part No</b>	<b>Rem Qty</b>	<b>Description</b>	<b>Code</b>
1	4700355797	1	Licence plate holder	
2	4700929455	1	Licence plate light	
3	4700792354	1	Bulb 24V 5W	
4	4700792035	2	Push-on terminal	

**Holder, Registration plate light**

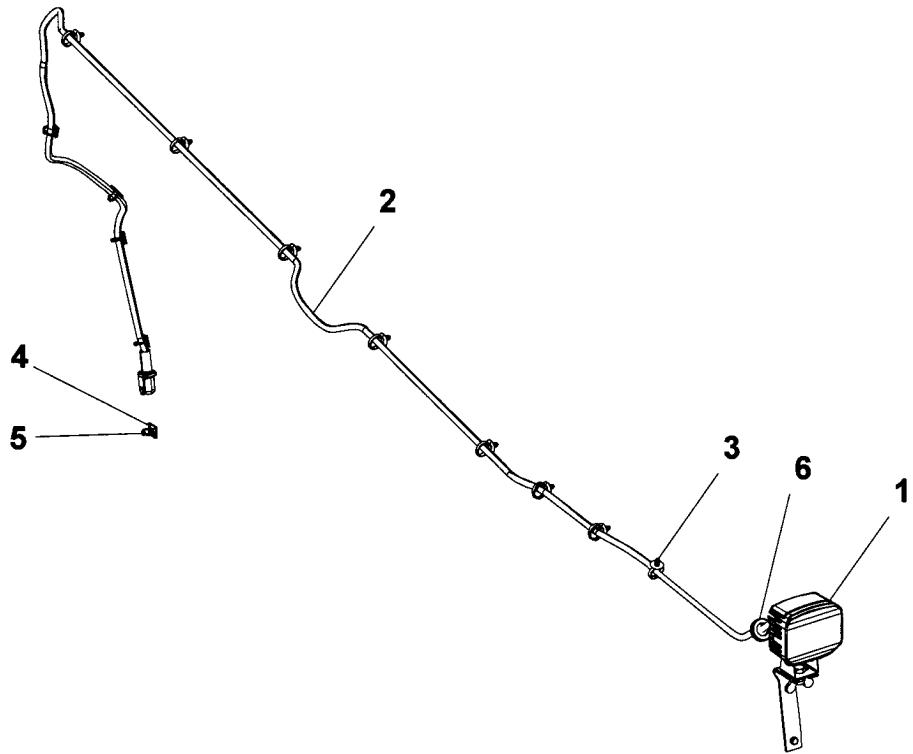




Holder, Registration plate light

Item	Part No	Rem Qty	Description	Code
1	4812112924	1	Holder	
2	4700904281	3	Washer 5,3x10x1 300HV	
3	4700500010	3	Screw	
4	4700601001	3	Washer	
5	4700586001	3	Lock nut	

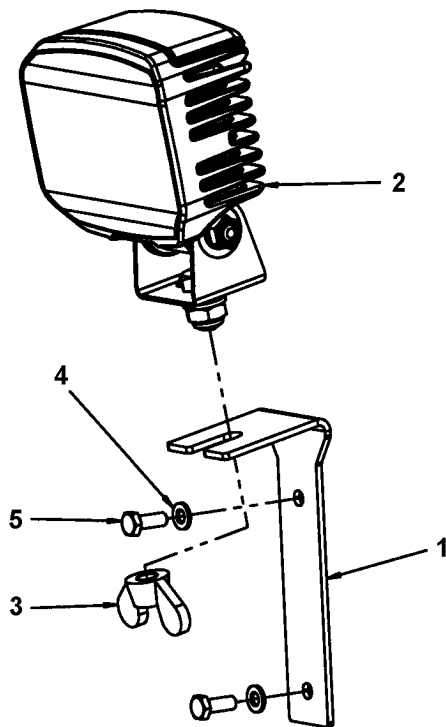
**Reversing light, option**



Reversing light, option

Item	Part No	Rem Qty	Description	Code
1		1	Reversing light ( Page 358 )	
2	4812116370	1	Cable harness	
3	4700792441	11	Cable tie with holder	
4	4700395352	5	Cable tie holder	
5	4700313068	5	Cable ties L=100 mm	
6		1	Grommet with membrane	

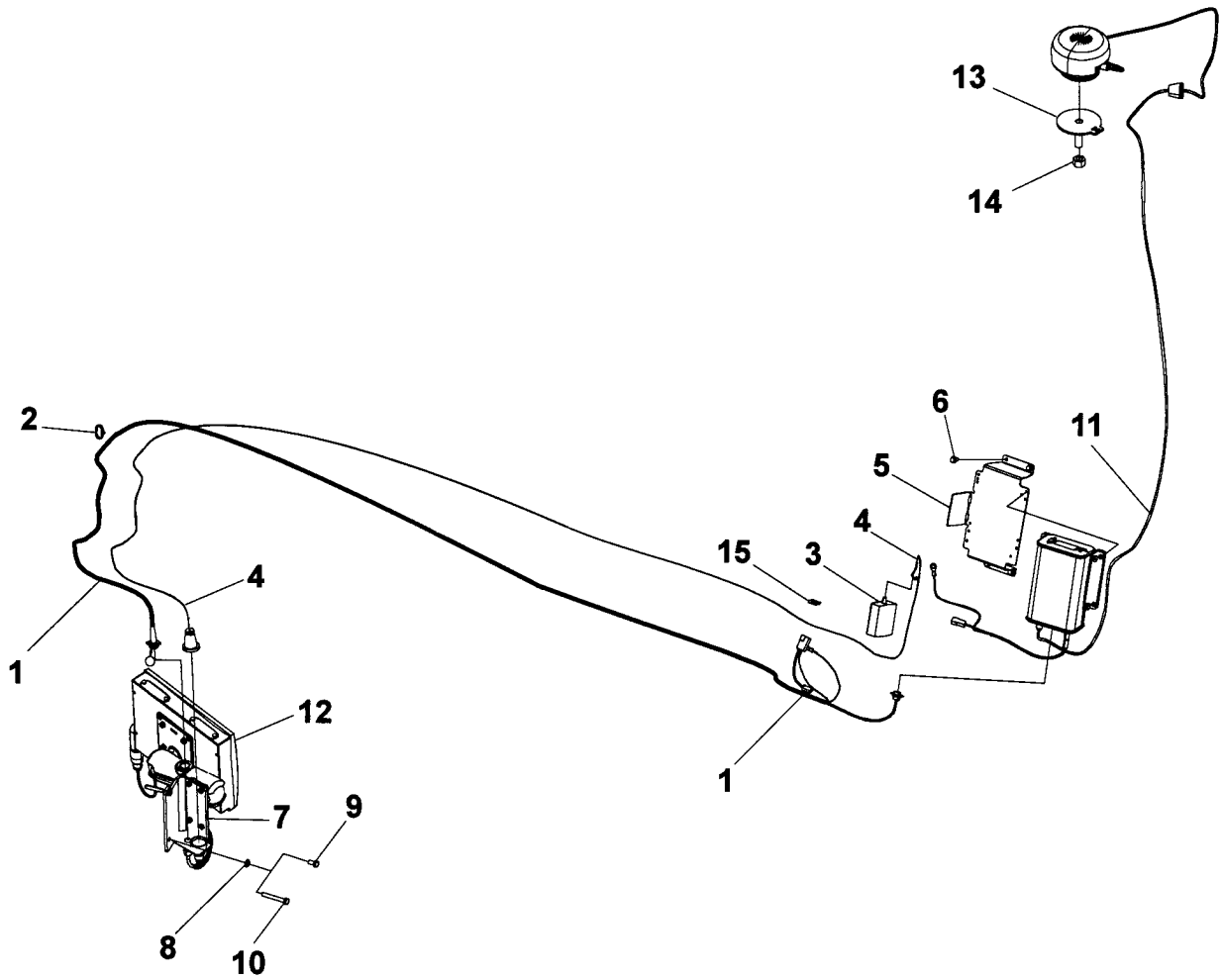
**Reversing light**



Reversing light

Item	Part No	Rem Qty	Description	Code
1	4812116612	1	Holder	
2	4812116611	1	Reversing light	
3	4700582001	1	Wing nut	
4	4700904228	2	Washer 6,4x12x1,5	
5	4700500013	2	Screw M6-1x16 8,8	

DCA/GPS equipment module, option

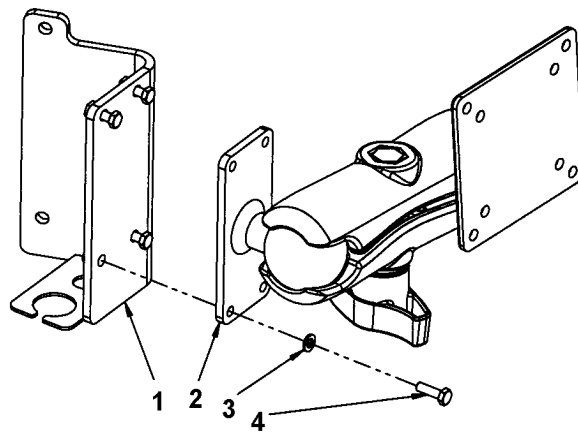


## DCA/GPS equipment module, option

Item	Part No	Rem	Qty	Description	Code
1	4812113167		1	Cable harness	
2	4700313041		6	Cable ties L=200 mm	
3	4700792660		1	Gateway CAN/BUS	
4	4812115093		1	Cable harness	
5	4700394276		1	Bracket	
6	4700541702		4	Screw M6x12	
7			1	<b>Holder ( Page 362 )</b>	
8	4700904229		2	Steel plain washer 8,4x16x1,5	
9	4700500019		2	Screw M8x16H 8.8 A2K	
10	4700500026	A	2	Screw M8-1,25x60 8,8	
11			1	<b>GPS equipment module ( Page 364 )</b>	
12			1	<b>Computer ( Page 368 )</b>	
13	4700394275		1	Bracket	
14	4700570008		1	Nut M16 -8	
15	4700901227		1	Fuse 10A	

A) Used with comfort cab.

**Holder**

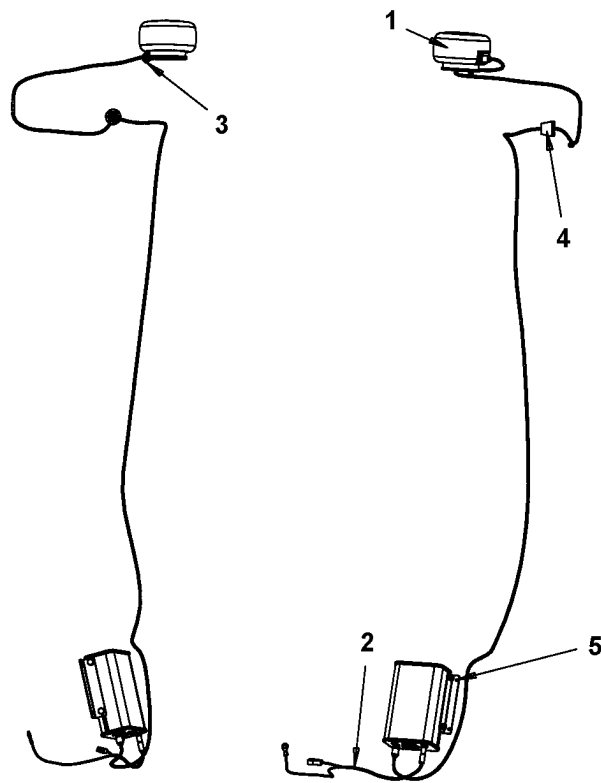




## Holder

Item	Part No	Rem Qty	Description	Code
1	4700395888	1	Bracket	
2	4700394542	1	Ball joint	
3	4700904228	4	Washer 6,4x12x1,5	
4	4700500040	4	Screw M6-1x20 8,8	

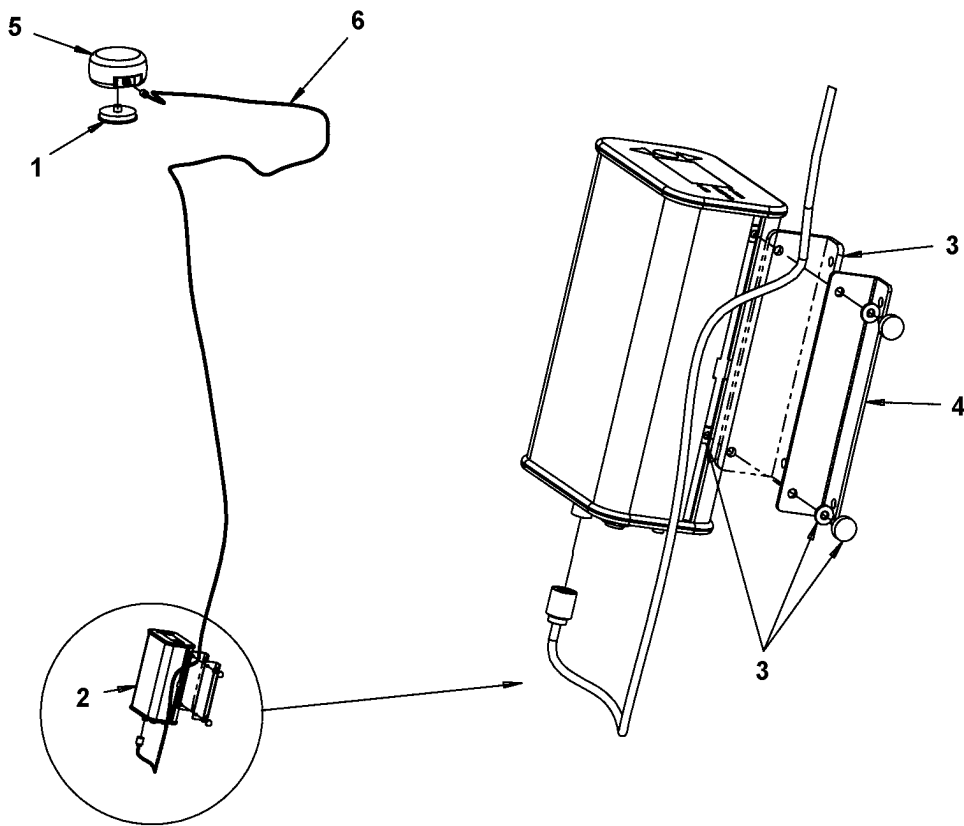
**GPS equipment module**



GPS equipment module

Item	Part No	Rem Qty	Description	Code
1		1	GPS equipment assy ( Page 366 )	
2	4812113238	1	Cable harness	
3	4700313041	N	Cable ties L=200 mm	
4	4700792392	1	Grommet with membrane	
5	4700792210	4	Screw torx	

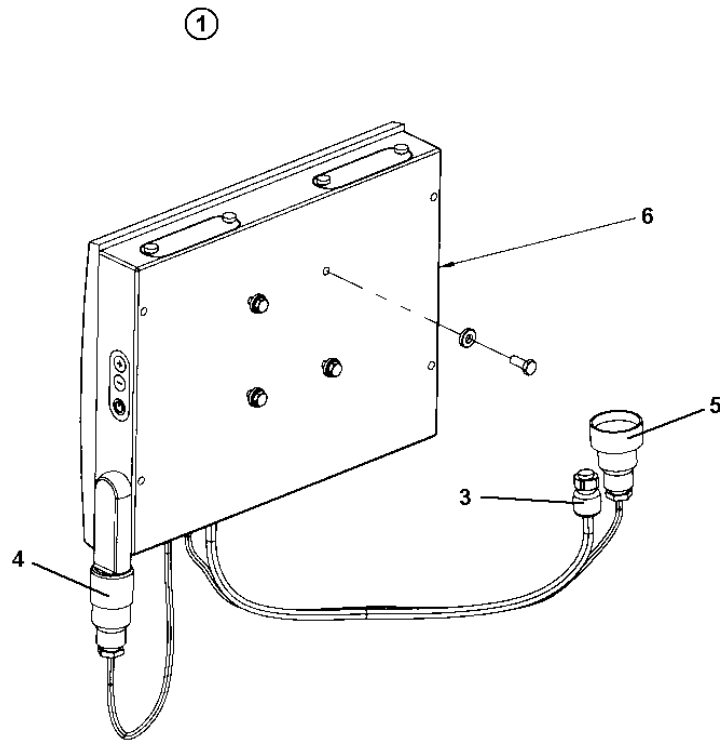
GPS equipment assy



## GPS equipment assy

Item	Part No	Rem Qty	Description	Code
1	4812113160	1	Bracket	
2	4812114146	1	Reciever	
3	4811000395	1	Bracket	
4	4812114156	2	Holder	
5	4812113058	1	Antenna	
6	4812113158	1	Antenna lead	

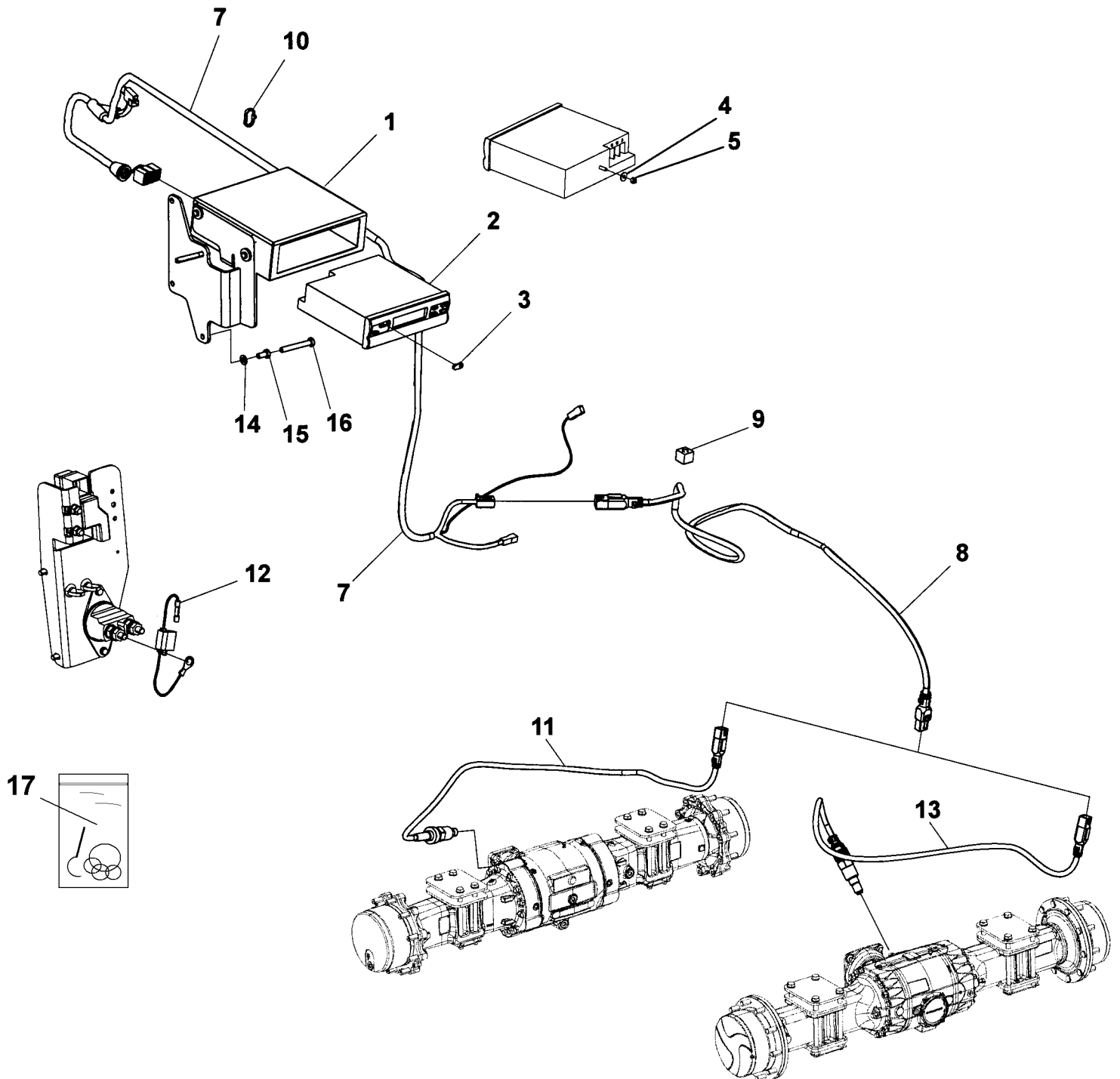
Computer



**Computer**

<b>Item</b>	<b>Part No</b>	<b>Rem Qty</b>	<b>Description</b>	<b>Code</b>
1	4700396119	1	Computer, cpl.	
2	4700792795	1	. Voltage adapter	
3	4700792761	1	. Power and serial cable	
4	4700792762	1	. USB cable L = 300mm	
5	4700792763	1	. USB cable L = 500mm	
6	4700396536	1	. Computer	

Tachograph, option



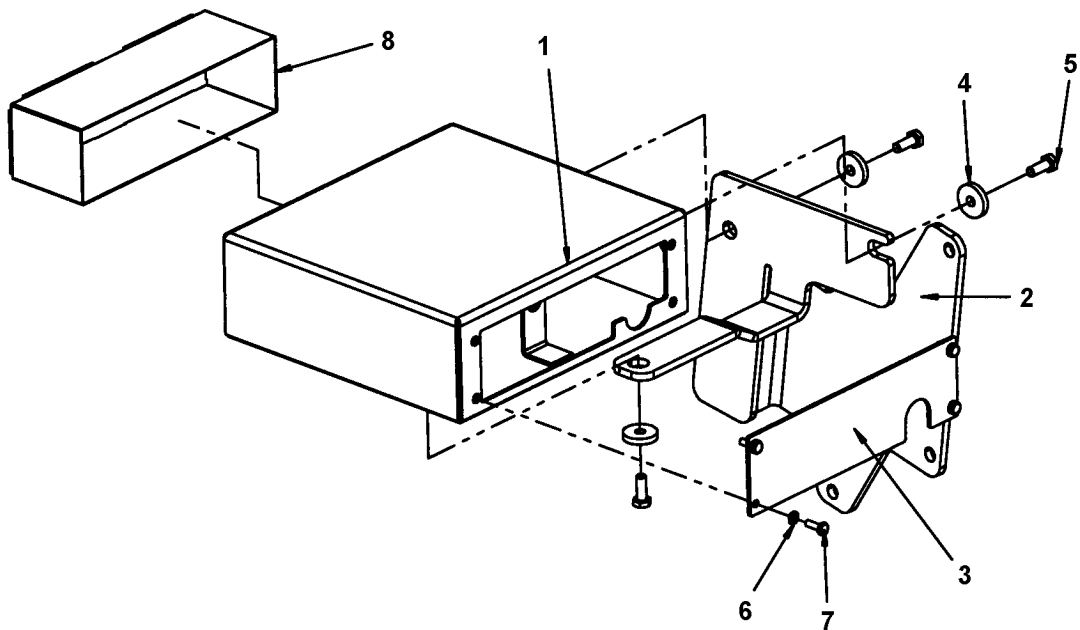


**Tachograph, option**

Item	Part No	Rem	Qty	Description	Code
1			1	<b>Holder assy ( Page 372 )</b>	
2	4811000292		1	Tachograph	
3	4811000529		1	Cover cap	
4	4700601001		1	Washer Up to 0A11150	
5	4700586001		1	Lock nut Up to 0A11150	
7	4812112417		1	Cable harness	
8	4812112917		1	Cable harness	
9	4812112068		1	Cable entry insert	
10	4700313041		3	Cable ties L=200 mm	
11	4812112419	A	1	Pulse sensor cpl	
12			1	<b>Power supply module ( Page 374 )</b>	
13	4812115707	B	1	Pulse sensor cpl	
14	4700904229		2	Steel plain washer 8,4x16x1,5	
15	4700500019		2	Screw M8x16H 8.8 A2K	
16	4700500026	C	2	Screw M8-1,25x60 8,8	
17	4812118625		1	Seal kit From 0A11151	

- A) Limited slip.
- B) No spin.
- C) Used with comfort cab.

**Holder assy**

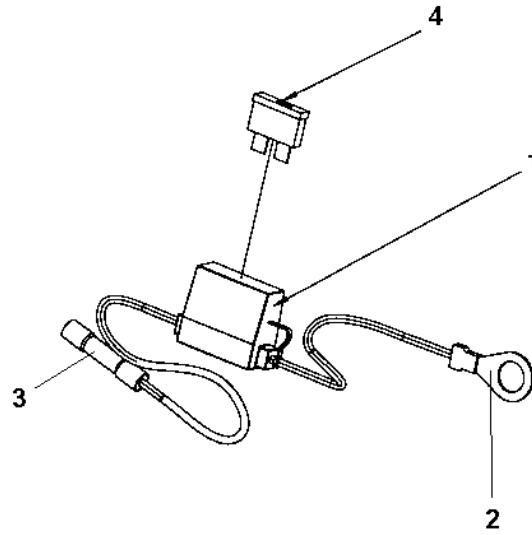


**Holder assy**

Item	Part No	Rem	Qty	Description	Code
1	4812112836	A	1	Holder Up to 0A11150	
	4812118641		1	Holder From 0A11151	
2	4812112837		1	Holder	
3	4812112838		1	Cover	
4	4700904735		3	Washer	
5	4700500013		3	Screw M6-1x16 8,8	
6	4700904698		4	Washer 4,3x8x0,8	
7	4700500002		4	Screw M4-0,7x12H 8.8	
8	4812118624		1	Mounting frame From 0A11151	

A) Can be replaced by p/n 4812118641, 4812118624 and 4812118625.

**Power supply module**



**Power supply module**

<b>Item</b>	<b>Part No</b>	<b>Rem Qty</b>	<b>Description</b>	<b>Code</b>
1	4700904015	1	Fuse holder	
2	4700960067	1	Cable clip	
3	4700904024	1	Splicing sleeve	
4	4700901227	1	Fuse 10A	

Speed sensor, frequency sensor, option

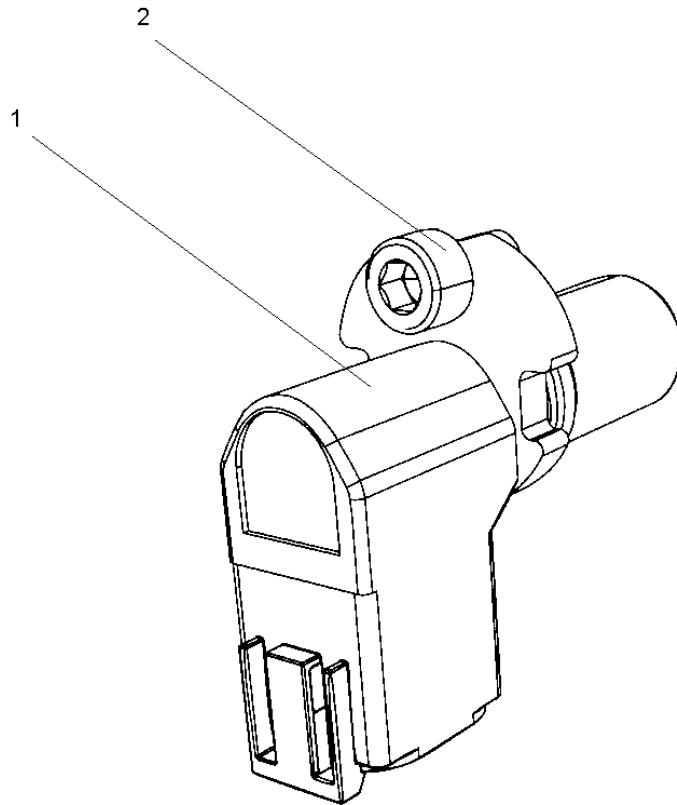


## Speed sensor, frequency sensor, option

Item	Part No	Rem	Qty	Description	Code
1	4812112062	A	1	Cable harness	
2	4812112227	B,E	1	Cable harness	
3	4812112231	B,E	1	Cable harness	
4	4812112229	C	1	Cable harness	
5	4812111268	D	1	Cable harness	
6	4700921078		1	Clamp	
7	4700904228		1	Washer 6,4x12x1,5	
8	4700500015		1	Screw M6-1x30 8,8	
9	4700313041		2	Cable ties L=200 mm	
10		D	1	<b>Pulse sensor module ( Page 378 )</b>	
11	4812112419	B,F	1	Pulse sensor cpl	
	4812115707	B,G	1	Pulse sensor cpl	
12	4812157073		2	Speed sensor	

- A) Displacement shift front.
- B) Speed sensor.
- C) Displacement shift rear.
- D) Frequency sensor.
- E) Anti-spin, option.
- F) Limited slip.
- G) No spin.

**Pulse sensor module**

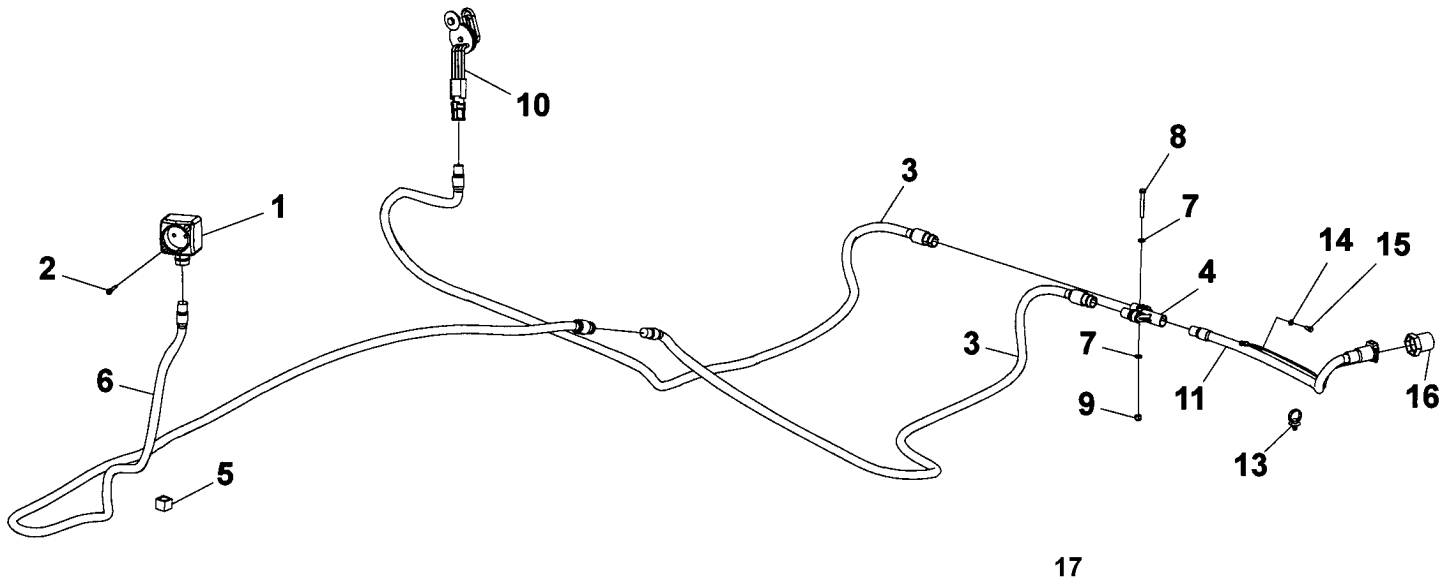




**Pulse sensor module**

<b>Item</b>	<b>Part No</b>	<b>Rem Qty</b>	<b>Description</b>	<b>Code</b>
1	4700396601	1	Pulse sensor	
2	4700508001	1	Screw M06x012H	

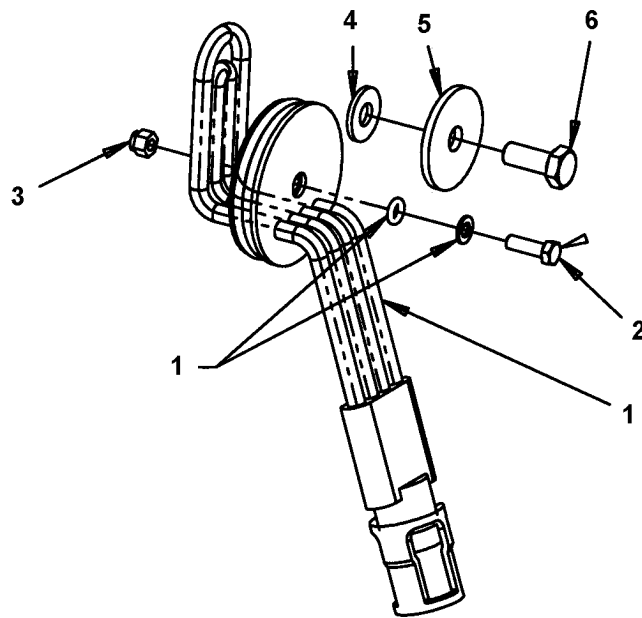
Pre-heater installation, option



## Pre-heater installation, option

Item	Part No	Rem Qty	Description	Code
1	4700396044	1	Connector	
2	4700792186	2	Thread forming screw	
3	4700396047	2	Cable	
4	4700396043	1	Branching	
5	4812112071	1	Cable entry insert	
6	4700396047	1	Cable	
7	4700904228	2	Washer 6,4x12x1,5	
8	4700500079	1	Screw M6-1x50 8,8	
9	4700586002	1	Lock nut M6 -8	
10		1	<b>Heater ( Page 382 )</b>	
11	4811000316	1	Cable	
13	4700792441	4	Cable tie with holder	
14	4700904281	1	Washer 5,3x10x1 300HV	
15	4700500003	1	Screw M5x10H	
16	4812114984	1	Nut	
17	4700396048	1	Cable	

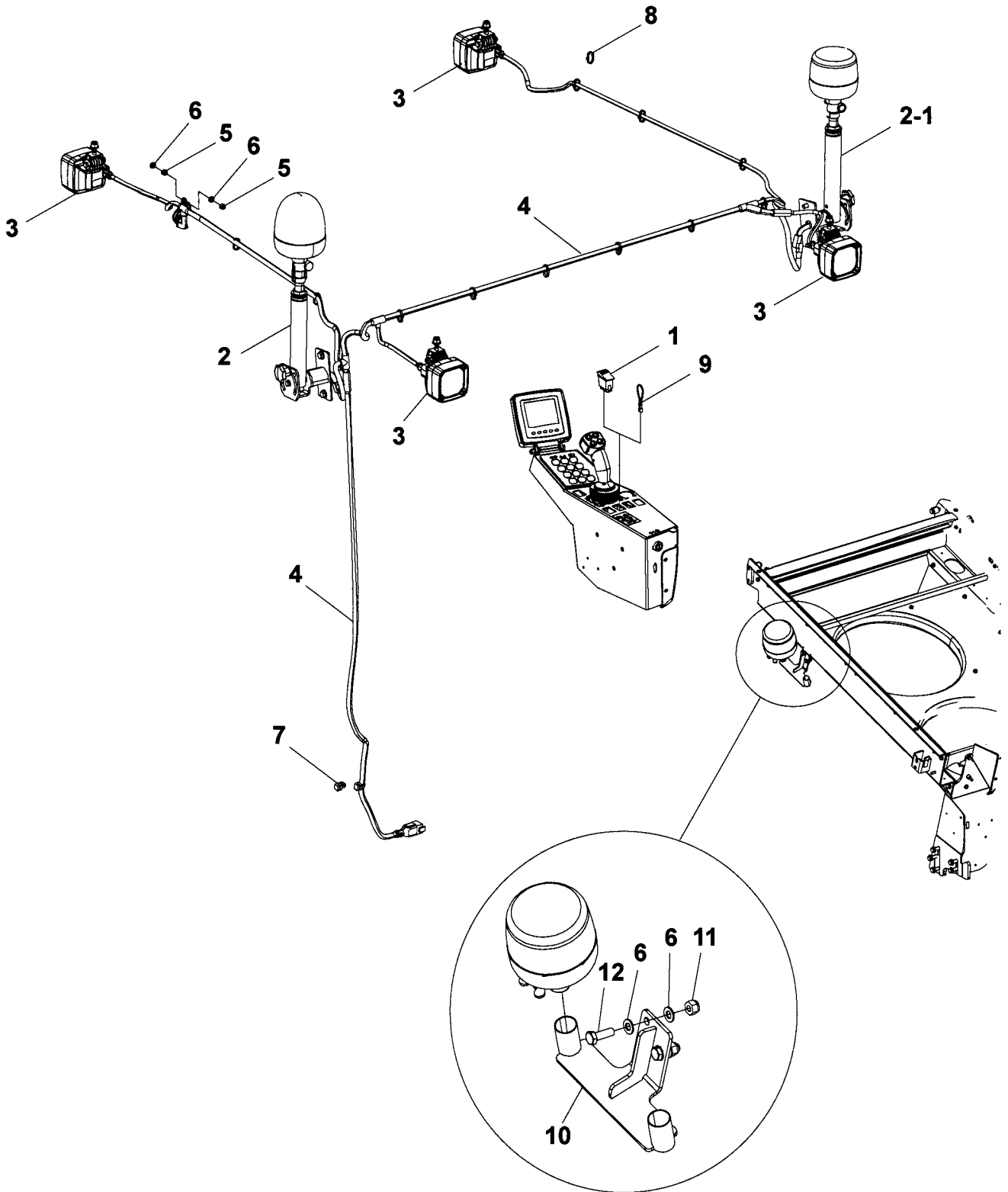
Heater



Heater

Item	Part No	Rem Qty	Description	Code
1	4700396041	1	Heater	
2	4700500006	1	Screw M5x16	
3	4700586001	1	Lock nut	
4	4700791304	1	Washer	
5	4700901688	1	Washer	
6	4700500053	1	Screw M8x20H 8.8	

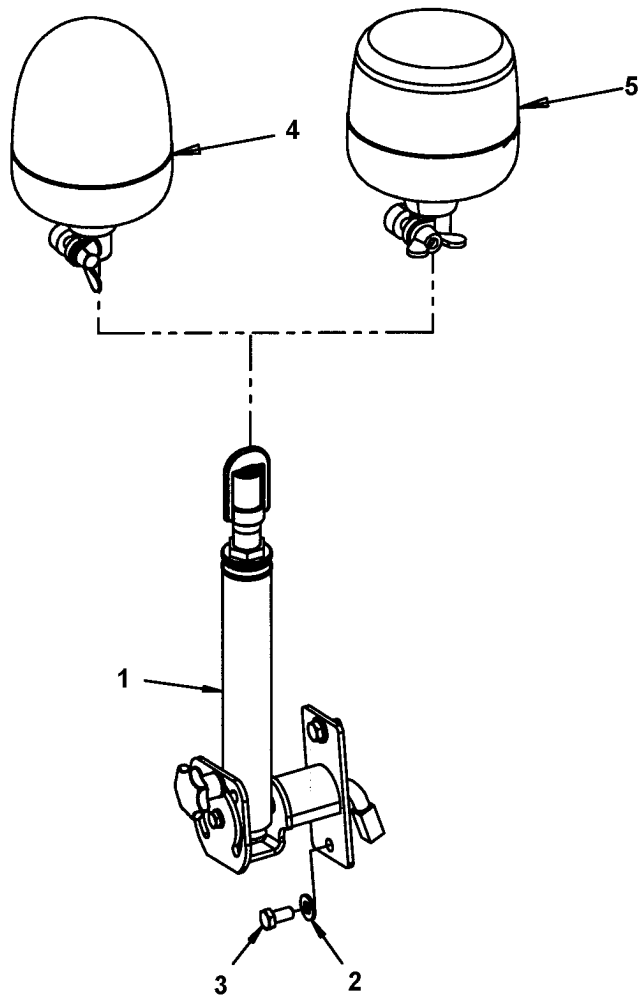
Rotating beacon, working light, option



## Rotating beacon, working light, option

Item	Part No	Rem	Qty	Description	Code
1	4700792397		1	Switch	
2			1	<b>Rotating beacon module ( Page 386 )</b>	
2-1		A	2	<b>Rotating beacon module ( Page 386 )</b>	
3	4812115917		4	Working light LED	
			4	<b>Working light module H3 ( Page 390 )</b>	
4	4812112325		1	Cable harness	
5	4700570005		2	Nut M8	
6	4700904229		6	Steel plain washer 8,4x16x1,5	
7	4700792667		1	Cable tie with holder	
8	4700313041		N	Cable ties L=200 mm	
9	4811000077		1	Connection cable	
10	4812116799		1	Holder	
11	4700586003		2	Lock nut M8	
12	4700500021		2	Screw M8-1,25x25 8.8	
A)	Dual LED				

Rotating beacon module

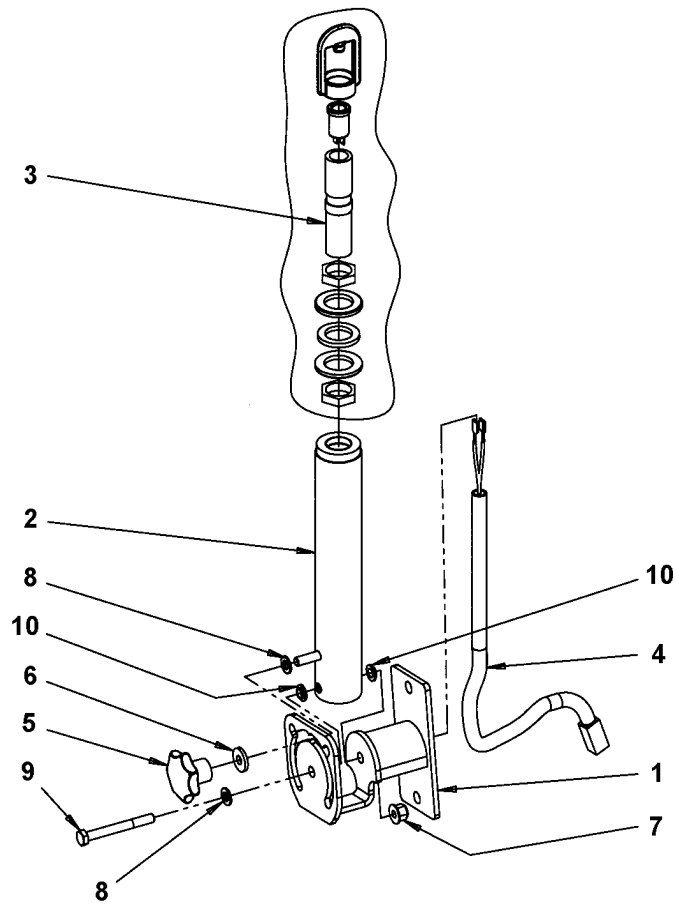




Rotating beacon module

Item	Part No	Rem	Qty	Description	Code
1			1	<b>Rotating beacon ( Page 388 )</b>	
2	4700904230		2	Steel plain washer	
3	4700500048		2	Screw M10-1,5x20 8,8	
4	4812111326		1	Rotating beacon	
	4812156777		1	. Bulb H1 24V	
5	4812116848	A	1	Rotating beacon	
A)	Dual LED				

Rotating beacon

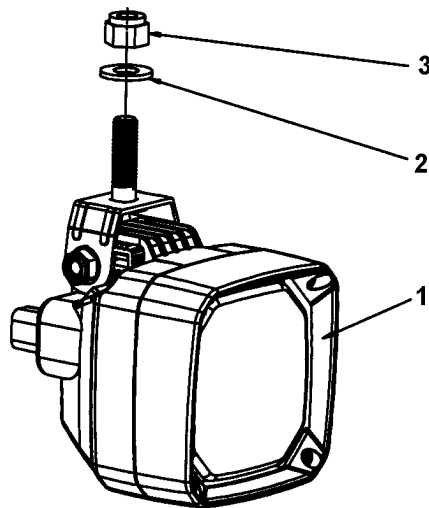


Rotating beacon

Item	Part No	Rem	Qty	Description	Code
1	4812116622		1	Bracket	
2	4812112460		1	Bracket	
	4812120468	A	1	Bracket	
3	4700392321		1	Bracket	
	4812120469	B	1	Bracket	
4	4812115020		1	Cable harness	
5	4700792410		1	Star knob M8-50	
6	4700904640		1	Washer 8,4x22x3	
7	4700902286		1	Hexagon lock nut with flange	
8	4700904229		2	Steel plain washer 8,4x16x1,5	
9	4700500189		1	Screw	
10	4812112774		2	Bushing	

- A) interchangeable with part 4812120469
- B) interchangeable with part 4812120468

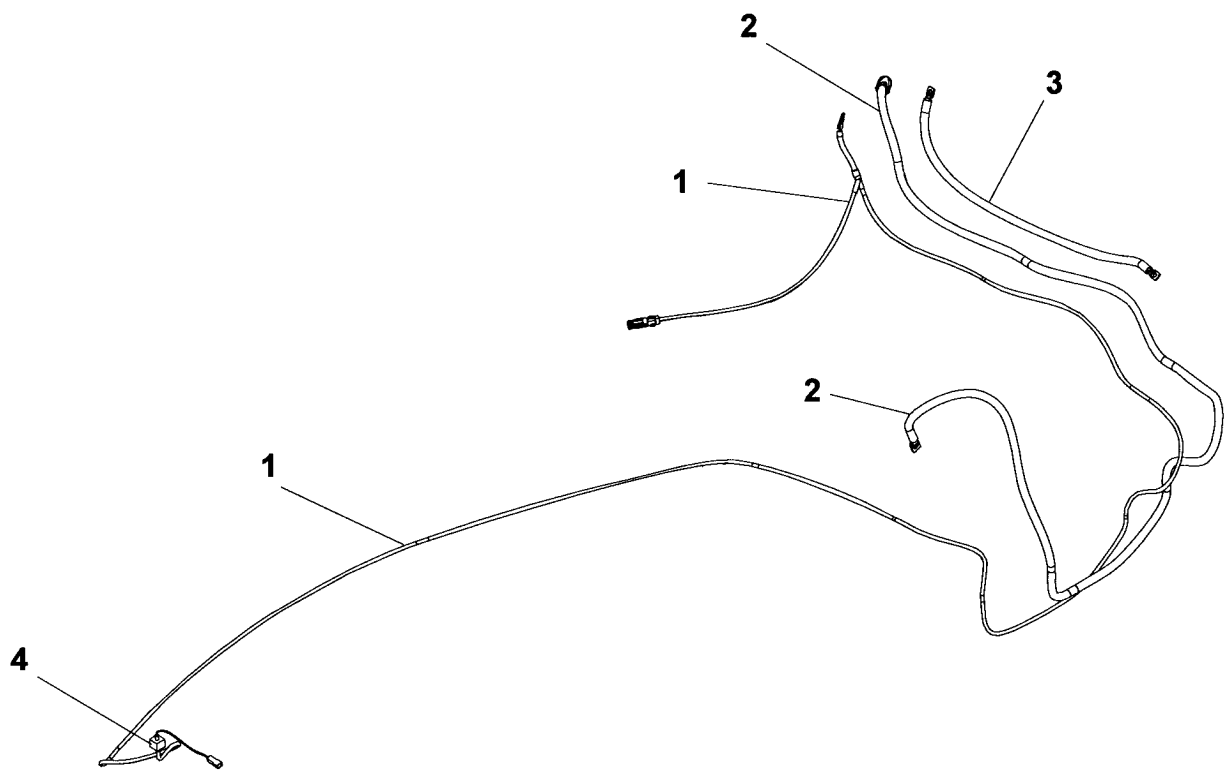
**Working light module H3**



**Working light module H3**

<b>Item</b>	<b>Part No</b>	<b>Rem Qty</b>	<b>Description</b>	<b>Code</b>
1	4812114720	1	Working light	
2	4700904230	1	Steel plain washer	
3	4700586018	1	Hexagon lock nut M10	

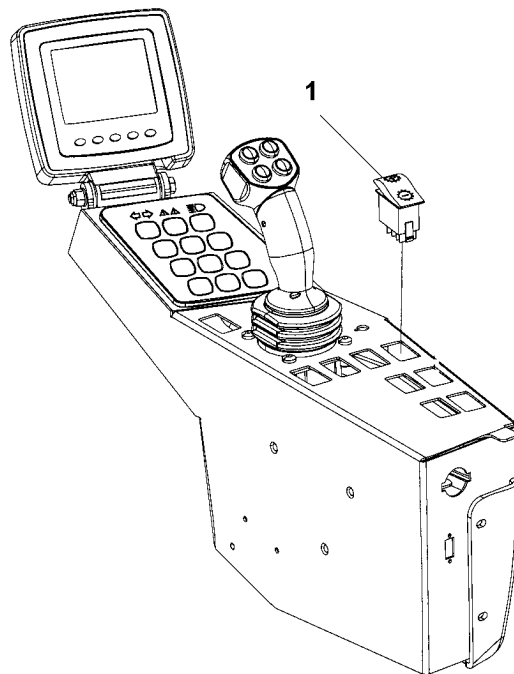
**Cable harness, emergency steering, option**



**Cable harness, emergency steering, option**

<b>Item</b>	<b>Part No</b>	<b>Rem Qty</b>	<b>Description</b>	<b>Code</b>
1	4812118852	1	Cable harness	
2	4812118883	1	Connection cable, coarse	
3	4812118884	1	Connection cable, coarse	
4	4812114433	1	Cable entry insert	

**Displacement shift**

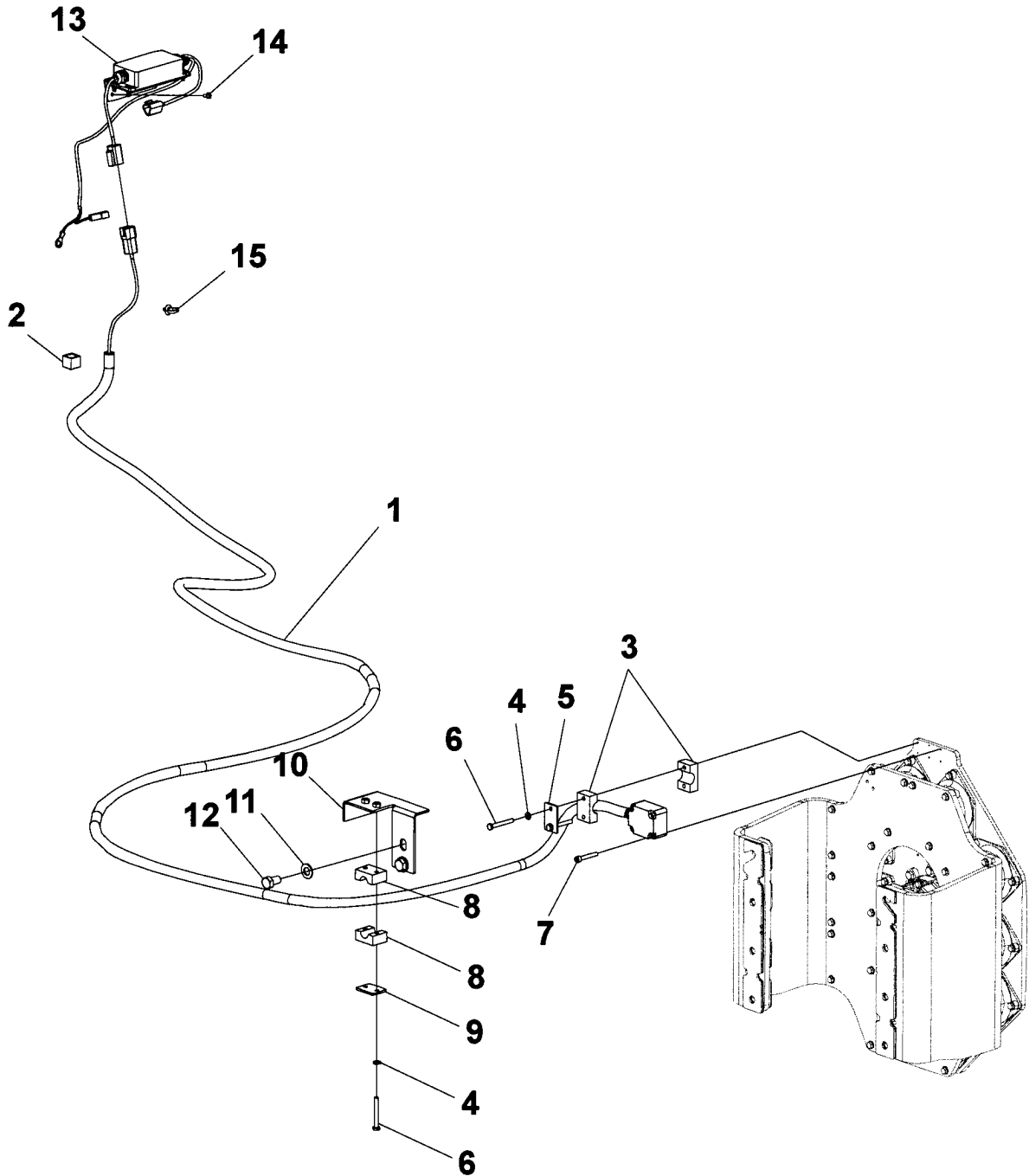




Displacement shift

Item	Part No	Rem Qty	Description	Code
1	4812115810	1	Switch, displacement shift	

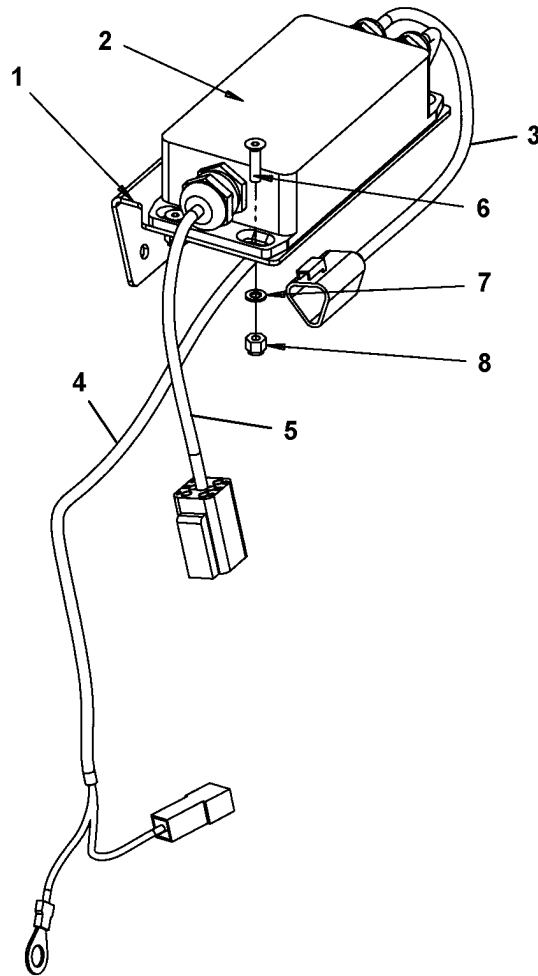
Compaction meter, option



## Compaction meter, option

Item	Part No	Rem Qty	Description	Code
1	4812115921	1	Dcm unit	
2	4812112072	1	Cable entry insert	
3	4700923876	1	Clamp	
4	4700904228	8	Washer 6,4x12x1,5	
5	4700923859	1	Cover plate	
6	4700500079	4	Screw M6-1x50 8,8	
7	4700508026	4	Screw	
8	4700791453	2	Pipe clamp block	
9	4700791454	1	Cover plate	
10	4812116181	1	Bracket	
11	4700904231	2	Washer 13x24x2 300 HV	
12	4700500035	2	Screw M12x020H	
13		1	<b>Power supply ( Page 398 )</b>	
14	4700792210	2	Screw torx	
15	4700792441	2	Cable tie with holder	

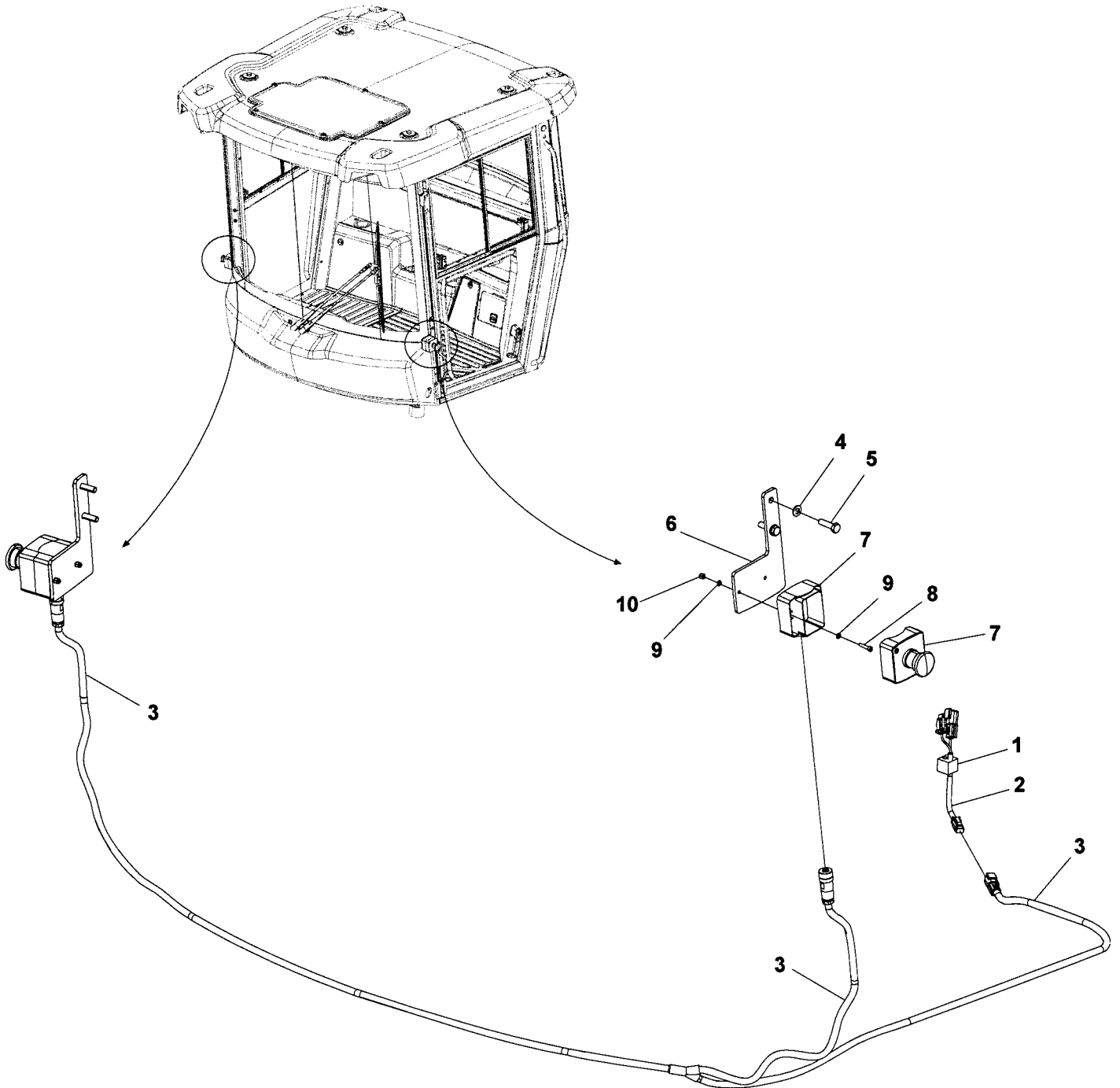
Power supply



**Power supply**

<b>Item</b>	<b>Part No</b>	<b>Rem Qty</b>	<b>Description</b>	<b>Code</b>
1	4812112792	1	Holder	
2	4812113123	1	Power supply unit	
3	4812112640	1	. Cable harness	
4	4812112641	1	. Cable harness	
5	4812112642	1	. Cable harness	
6	4700513027	4	Screw M4x16H 10,9	
7	4700904698	4	Washer 4,3x8x0,8	
8	4700923976	4	Nut	

External emergency stop, option



## External emergency stop, option

Item	Part No	Rem Qty	Description	Code
1	4812116367	1	Cable entry frame and inserts	
2	4812116346	1	Cable harness	
3	4812116354	1	Cable harness	
4	4700904229	4	Steel plain washer 8,4x16x1,5	
5	4700500022	4	Screw M8x30H 8.8	
6	4812116588	2	Holder	
7	4812116587	2	Emergency stop box	
8	4700903386	4	Hexagon socket head cap screw	
9	4700904698	8	Washer 4,3x8x0,8	
10	4700923976	4	Nut	

## Drivers platform

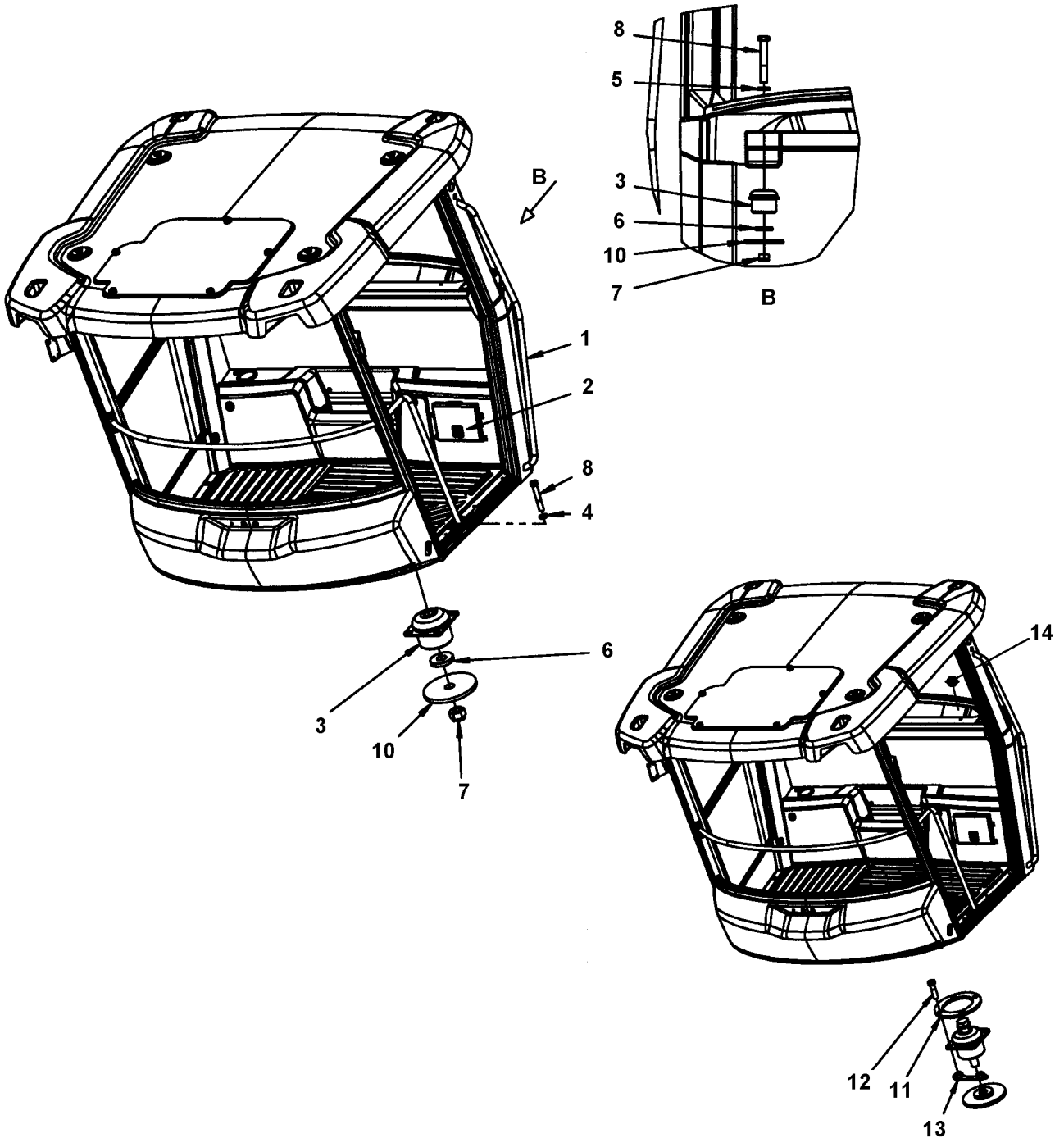


**Drivers platform**

Item	Part No	Rem	Qty	Description	Code
1			1	Platform, rops ( Page 404 )	
2			1	Cab symmetric module ( Page 418 )	
5			1	Drivers seat ( Page 466 )	
6			1	Car stereo module, option ( Page 500 )	
8			2	Rear view mirror ( Page 502 )	
9		A	2	Rear view mirror module ( Page 504 )	
11			1	Heater hoses ( Page 506 )	

A) For platform without rops.

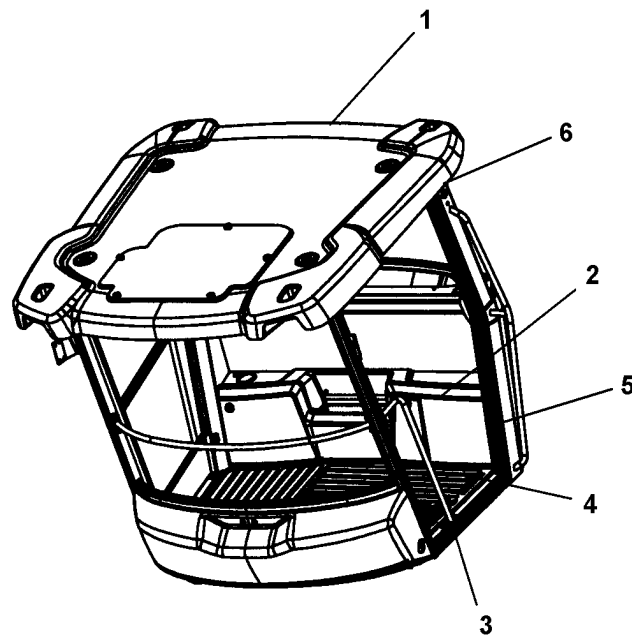
Platform, rops



**Platform, rops**

<b>Item</b>	<b>Part No</b>	<b>Rem Qty</b>	<b>Description</b>	<b>Code</b>
1	4812112278	1	<b>Platform with 4-post ROPS ( Page 406 )</b>	
2		1	<b>Manual box ( Page 416 )</b>	
3	4812116884	4	Shock absorber	
4	4700904233	2	Washer 21x36x3	
5	4700903290	2	Washer 21x36x6	
6	4700927410	4	Washer	
7	4700901145	4	Lock nut M20-10	
8	4700902282	4	Screw	
10	4812116867	4	Spacer	
11	4700359998	4	Back-up ring	
12	4700500056	16	Screw	
13	4700393525	8	Holder	
14	4812115387	2	Protective plug	

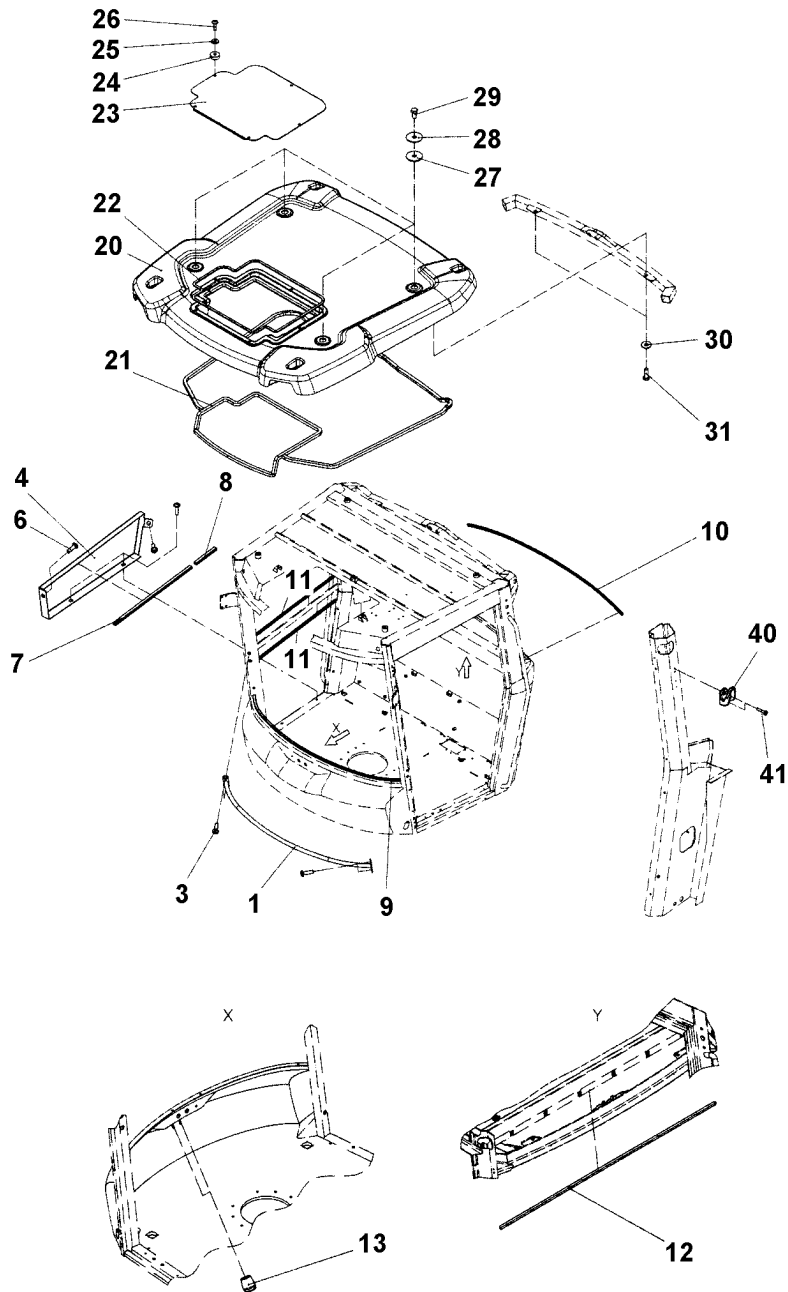
**4812112278 Platform with 4-post ROPS**



**4812112278 Platform with 4-post ROPS**

<b>Item</b>	<b>Part No</b>	<b>Rem Qty</b>	<b>Description</b>	<b>Code</b>
1		1	<b>Basic kit Rops, roof, front handrail ( Page 408 )</b>	
2		1	<b>Rear cover ( Page 410 )</b>	
3		1	<b>Handrail ( Page 412 )</b>	
4	4812114568	1	Floor mat	
5	4812112268	1	Rops	
6		1	<b>Cab, basic kit ( Page 414 )</b>	

Basic kit Rops, roof, front handrail

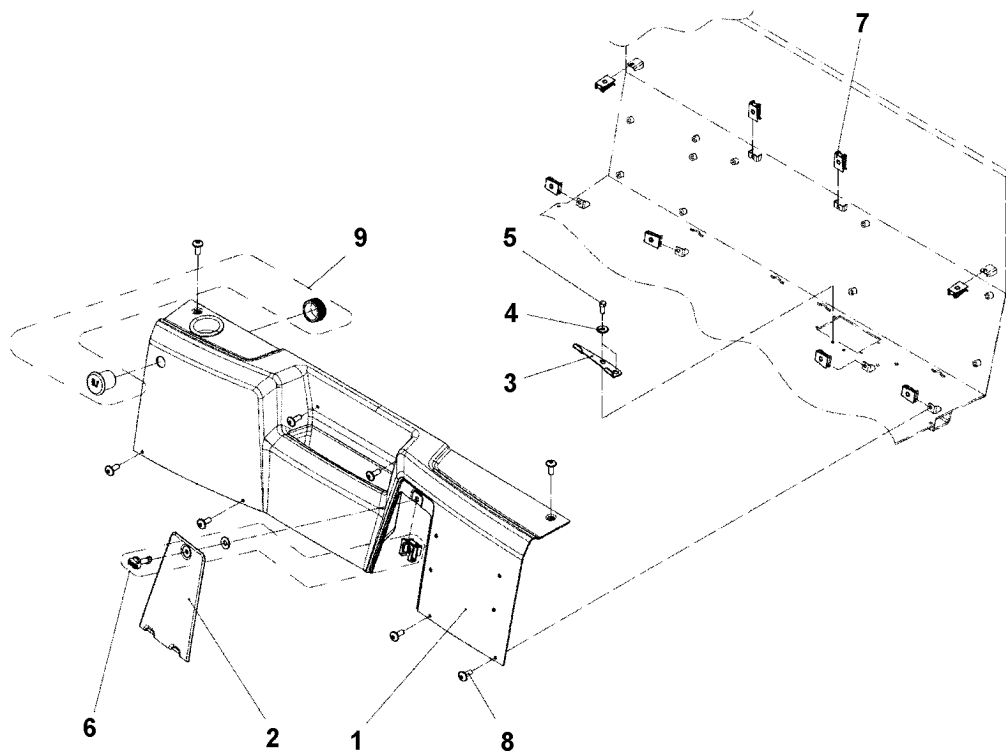


**Basic kit Rops, roof, front handrail**

Item	Part No	Rem	Qty	Description	Code
1	4812115193		1	Handrail	
3			4	Screw	
4	4812115194		1	Plate	
6			4	Screw	
7	4700202028	A	1XL	Edge trim	
8	4700202028	B	1XL	Edge trim	
9	4700202028	C	1XL	Edge trim	
10	4700202028	D	1XL	Edge trim	
11	4700202028	E	1XL	Edge trim	
12	4700202028	F	1XL	Edge trim	
13			2	Cap	
20	4812115195		1	Roof	
21	4812115164	G	1XL	Rubber strip	
22		H	1XL	Foam strip	
23	4812115196		1	Roof plate	
24	4812115166		5	Rubber washer	
25	4700601003		5	Washer 8,4x25x2	
26			5	Screw	
27	4812115170		4	Seal washer	
28	4812115171		4	Washer	
29			4	Screw	
30	4700601003		2	Washer 8,4x25x2	
31	4700947680		2	Screw M8-1,25x25 10.9	
40	4700908505		1	Hook	
41			4	Screw	

- A) L=0.508m
- B) L=0.133m
- C) L=1.415m
- D) L=1.43m
- E) L=0.856m
- F) L=1.515m
- G) L=6.7m
- H) L=2.513m

**Rear cover**

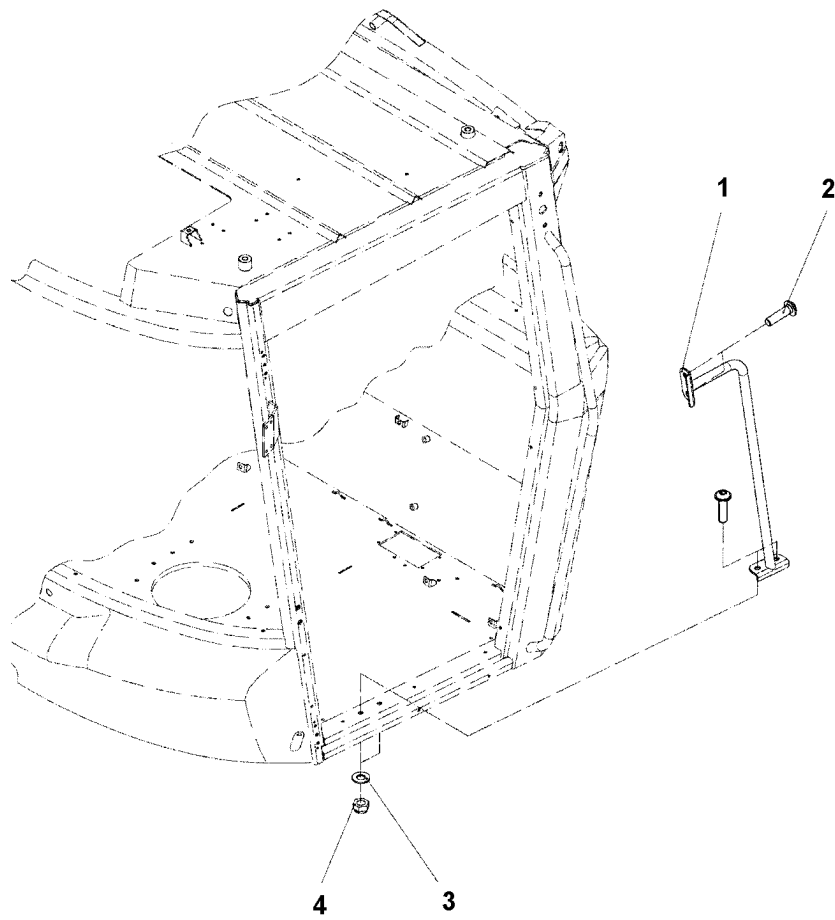




Rear cover

Item	Part No	Rem Qty	Description	Code
1	4812114563	1	Rear cover	
2	4812114564	1	Service cover	
3	4812114565	1	Bracket	
4	4700601001	2	Washer	
5	4700500004	2	Hexagon head screw m	
6	4812114566	1	Lock	
7	4812114567	8	Speed nut	
8		8	Screw	
9		1	Socket, 24V	

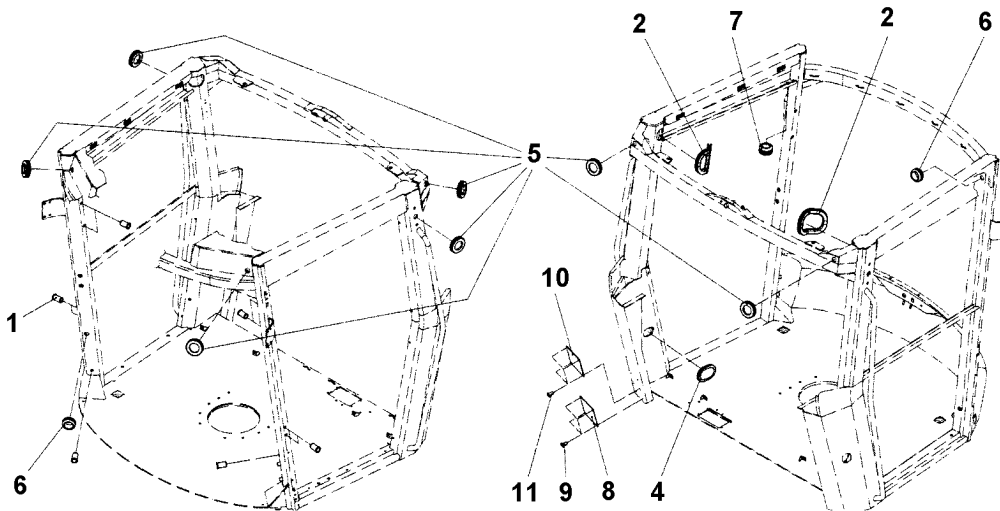
**Handrail**



**Handrail**

<b>Item</b>	<b>Part No</b>	<b>Rem Qty</b>	<b>Description</b>	<b>Code</b>
1	4812114569	1	Handrail	
2		4	Screw	
3	4700904557	2	Steel plain washer	
4	4700791172	2	Hexagon lock nut	

**Cab, basic kit**

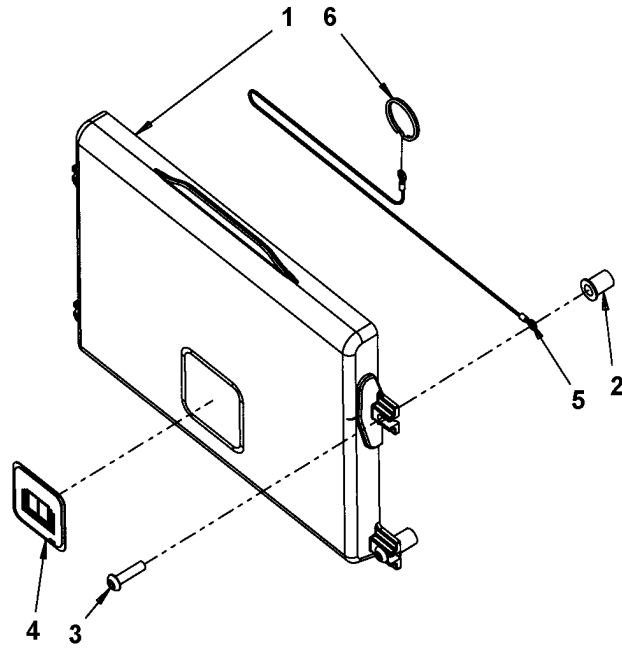


**Cab, basic kit**

Item	Part No	Rem	Qty	Description	Code
1	4700792103		10	Blind insert nut	
2	4700902379	A	2XL	Edge trim	
4	4812115186		1	Cover	
5	4700929587		7	Grommet	
6	4700909129		2	Grommet	
7			1	Grommet	
8			1	Sign, rops	
9			4	Screw	
10			1	Sign, fops	
11			4	Screw	

A) L=0.263m

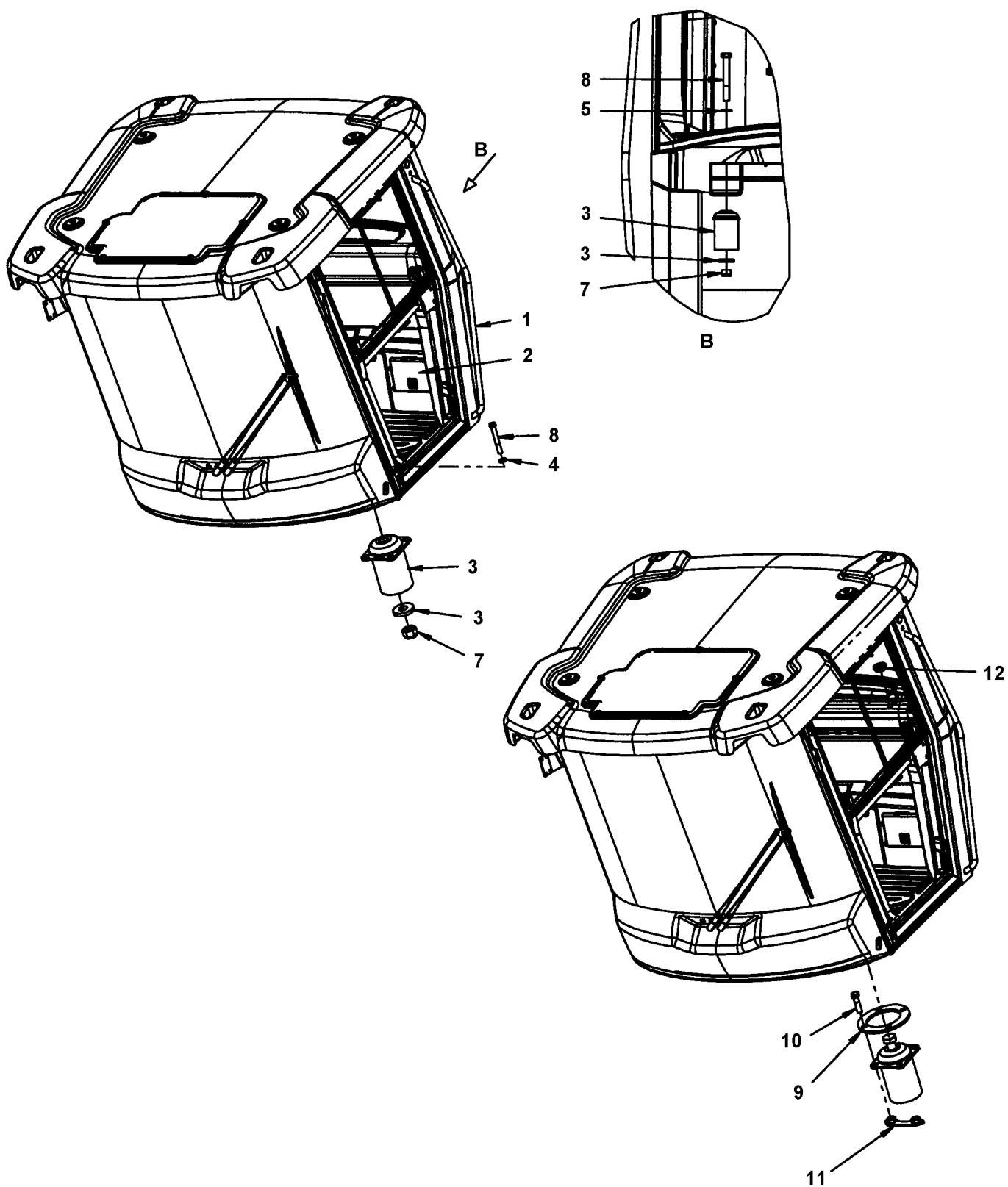
**Manual box**



**Manual box**

<b>Item</b>	<b>Part No</b>	<b>Rem Qty</b>	<b>Description</b>	<b>Code</b>
1	4700383705	1	Instruction book holder	
2	4700792536	4	Rubber nut	
3	4700792589	4	Screw	
4	4700903425	1	Decal "SAFETY MANUAL"	
5	4700384584	1	Wire	
6	4700358254	1	Key-ring	

Cab symmetric module

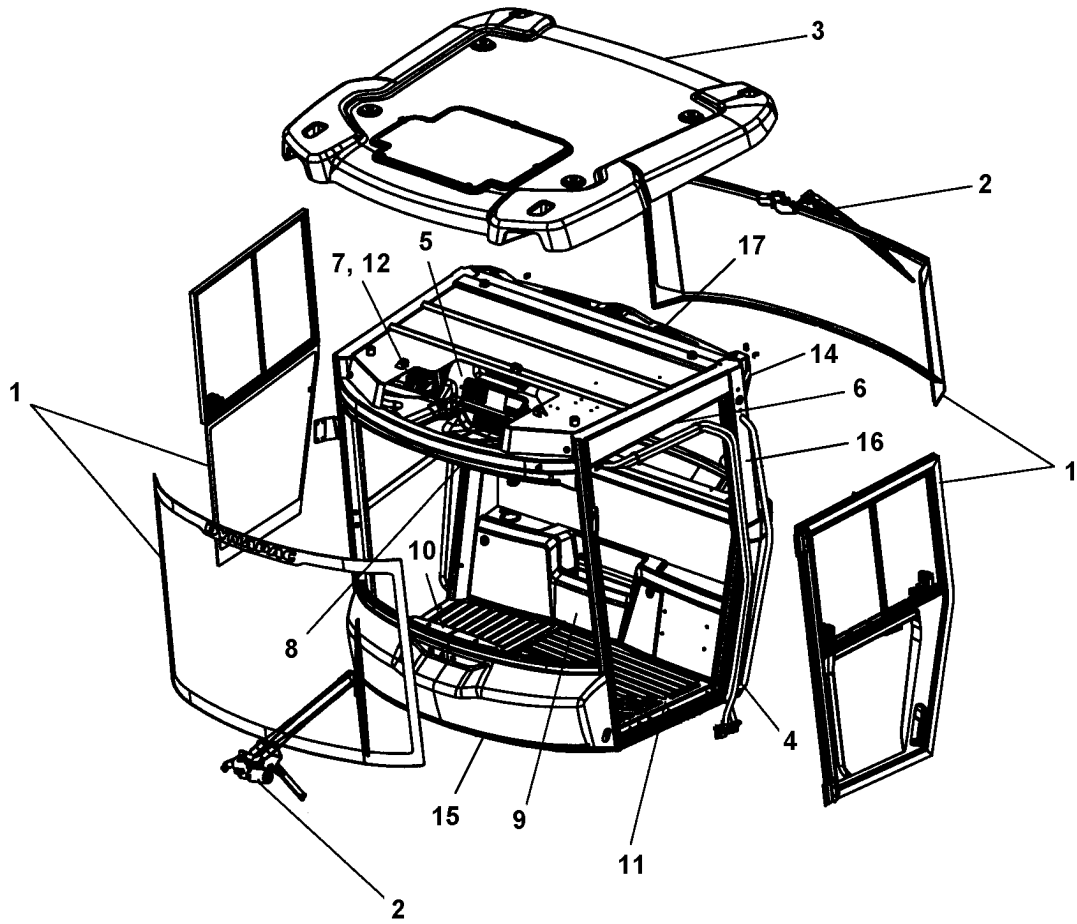




## Cab symmetric module

Item	Part No	Rem Qty	Description	Code
1	4812119366	1	<b>Cab, cpl Comfort ( Page 420 )</b>	
	4812119367	1	<b>Cab, cpl Basic ( Page 458 )</b>	
2		1	<b>Manual box ( Page 416 )</b>	
3	4812121000	4	Shock absorber	
4	4700904233	2	Washer 21x36x3	
5	4700903290	2	Washer 21x36x6	
7	4700901145	4	Lock nut M20-10	
8	4700903633	4	Screw M20x150 10,9	
9	4700359998	4	Back-up ring	
10	4700500056	16	Screw	
11	4700393525	8	Holder	
12	4812115387	2	Protective plug	

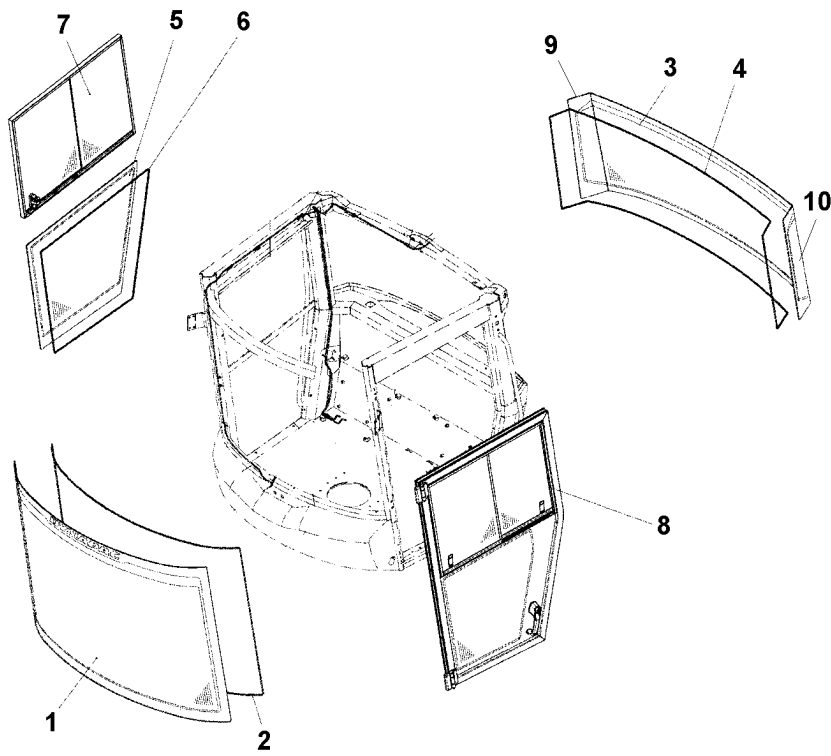
4812119366 Cab, cpl Comfort



## 4812119366 Cab, cpl Comfort

Item	Part No	Rem Qty	Description	Code
1		1	Screens ( Page 422 )	
2		1	Windshield wiper ( Page 428 )	
3		1	Roof ( Page 430 )	
4		1	Hose kit heater ( Page 434 )	
5		1	Cab Interior ( Page 436 )	
6		1	Cab cable harness ( Page 440 )	
7		1	Cab, electrical equipment ( Page 442 )	
8		1	Emergency hammer, hook ( Page 444 )	
9		1	Cab, rear cover ( Page 446 )	
10		1	Cab, front cover ( Page 448 )	
11		1	Floor mat ( Page 450 )	
12		1	Step light, wiper switch ( Page 452 )	
14		1	Cab, basic kit ( Page 414 )	
15	4812112268	1	Rops	
16		1	Air channel ( Page 454 )	
17		1	Sun-blind, inner light ( Page 456 )	

Screens

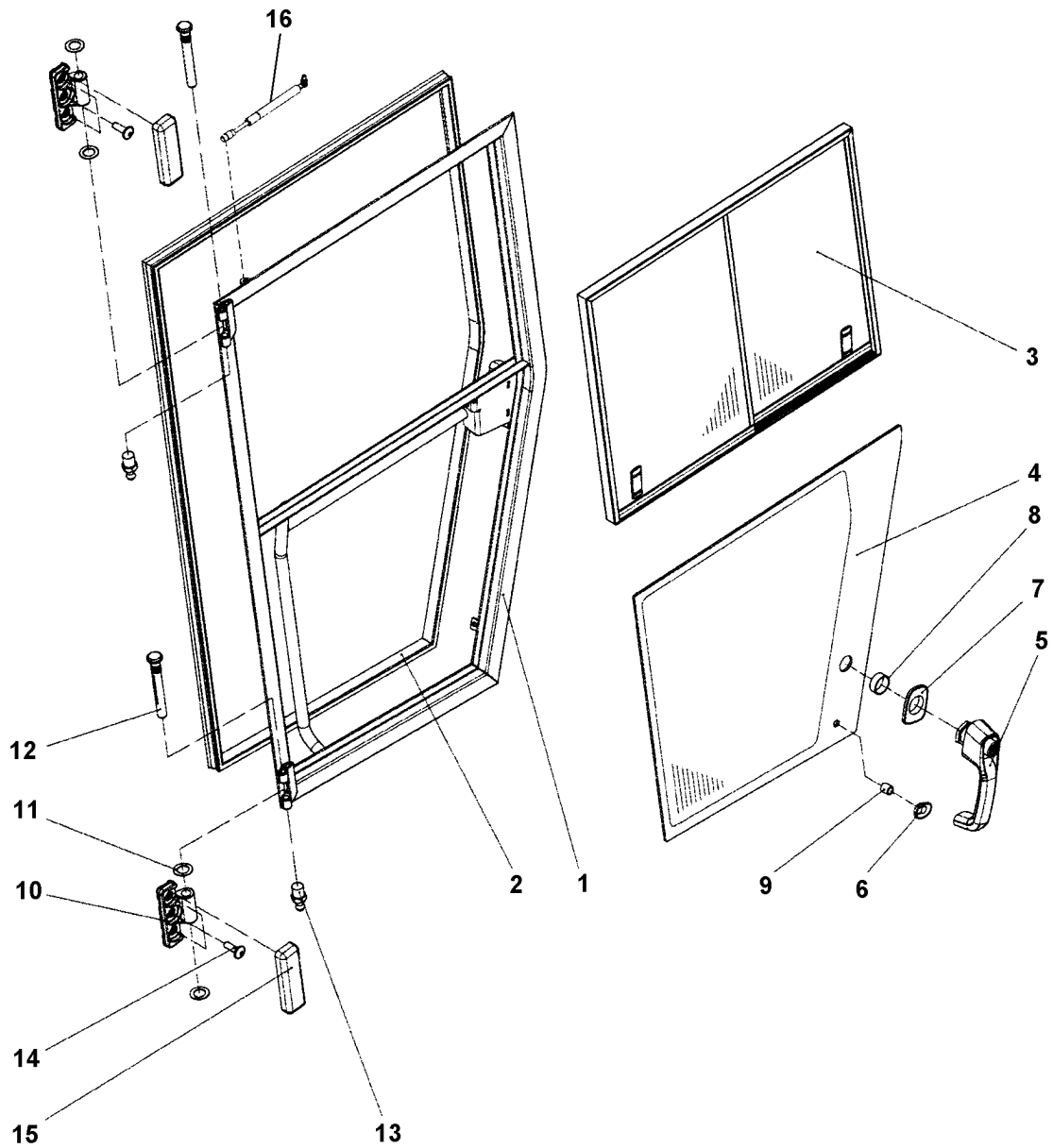


Screens

Item	Part No	Rem	Qty	Description	Code
1	4812114586		1	Front screen	
2	4812159184	A	1XL	Rubber list	
3	4812158164		1	Rear screen middle	
4	4812159184	B	1XL	Rubber list	
5	4812114587		1	Side screen	
6	4812159184	C	1XL	Rubber list	
7	4812114588		1	Sliding screen	
8	4812115202	C	1	<b>Cab door, cpl ( Page 424 )</b>	
9	4812158165		1	Rear screen right	
10	4812158163		1	Rear screen left	

- A) L=5.002m
- B) L=4.779m
- C) L=2.99m

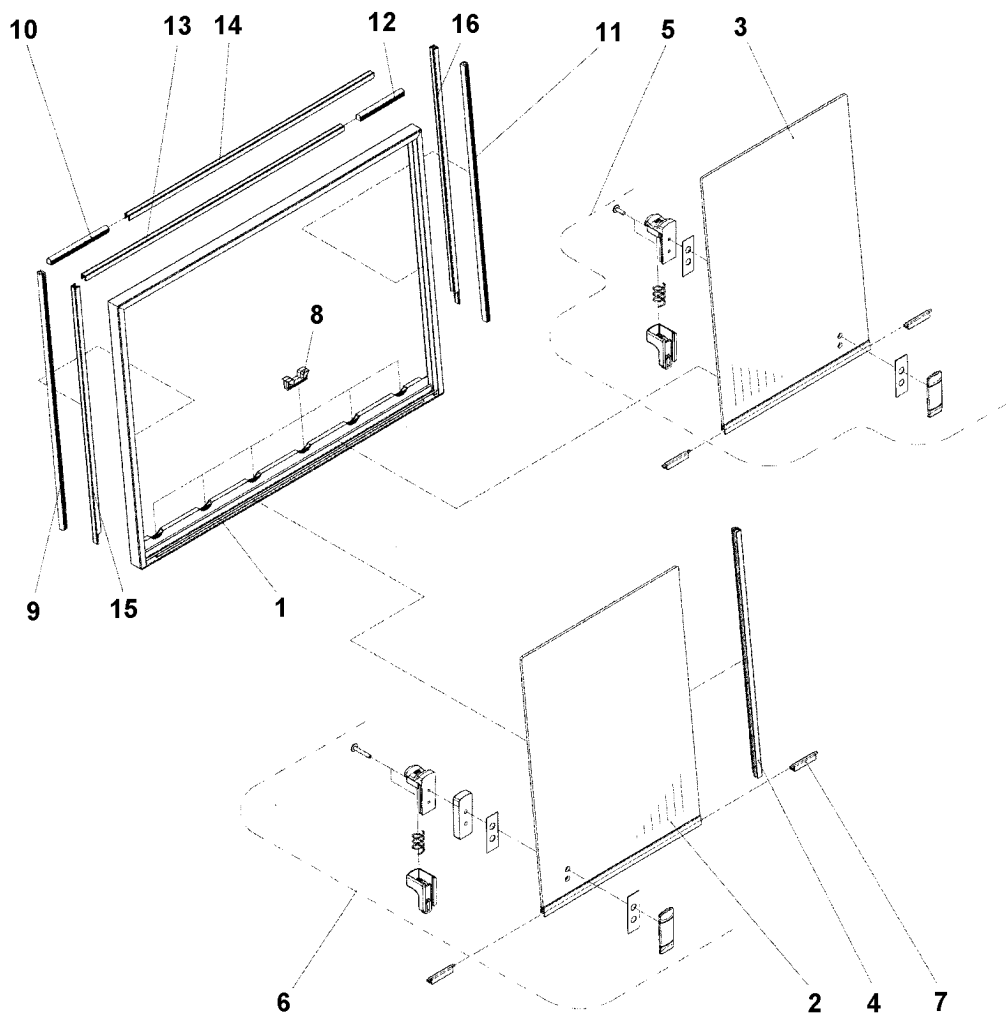
4812115202 Cab door, cpl



## 4812115202 Cab door, cpl

Item	Part No	Rem	Qty	Description	Code
1	4812116199		1	Door	
2	4812159183	A	1XL	Rubber list	
3	4812115200		1	<b>Sliding screen, left hand ( Page 426 )</b>	
4	4812114593		1	Screen	
5	4812115203		1	Handle	
	4812159558		1	. Key (2pcs)	
6	4812115204		1	Washer	
7	4812115205		1	Washer	
8	4812115206		1	Washer	
9	4812115207		1	Bushing	
10	4812115216		2	Hinge	
11			4	Washer	
12	4812115217		2	Pin	
13			2	Lubricating nipple	
14			6	Screw	
15	4812115218		2	Hinge	
16	4812115214		1	Gas spring	
A)	L=4.41m				

4812115200 Sliding screen, left hand



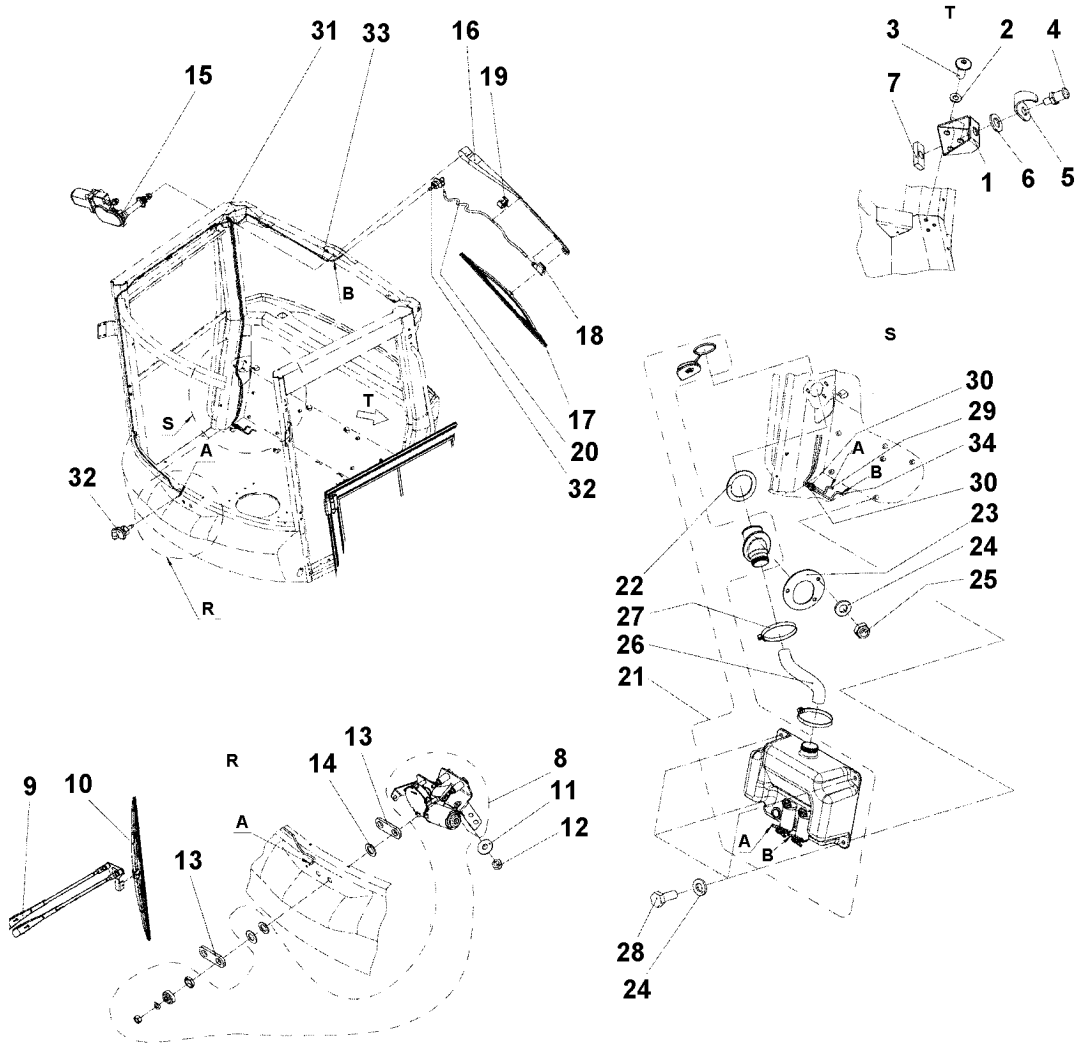


**4812115200 Sliding screen, left hand**

Item	Part No	Rem	Qty	Description	Code
1			1	Window frame	
2	4812115225		1	Screen	
3	4812115226		1	Screen	
4			1	Sealing bar	
5	4812115219		1	Handle	
6	4812115220		1	Handle	
7	4812159775		4	Guide	
8	4812115223		6	Bracket	
9		A	1XL	Strip	
10		B	1XL	Strip	
11		C	1XL	Strip	
12		D	1XL	Strip	
13		E	1XL	Window seal	
14		F	1XL	Window seal	
15		G	1XL	Window seal	
16		H	1XL	Window seal	

- A) L=0.612m
- B) L=0.15m
- C) L=0.613m
- D) L=0.117m
- E) L=0.676m
- F) L=0.643m
- G) L=0.612m
- H) L=0.613m

**Windshield wiper**

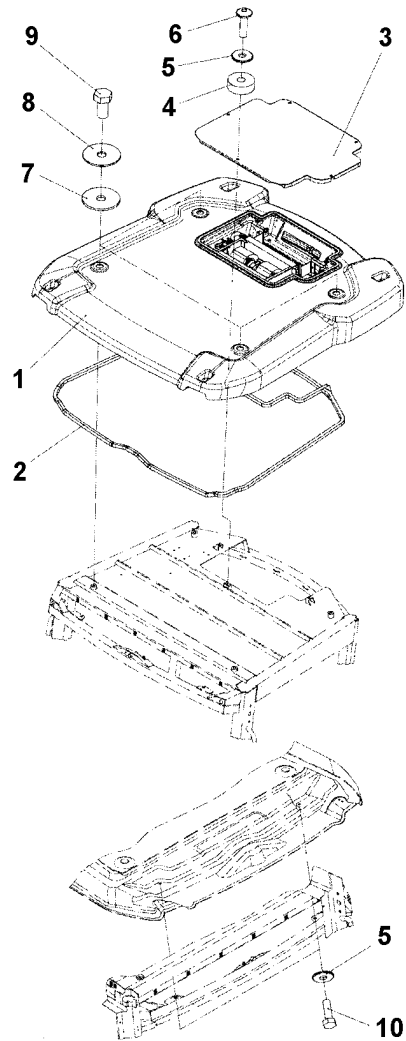


## Windshield wiper

Item	Part No	Rem Qty	Description	Code
1	4812114606	1	Bracket	
2		3	Washer	
3		3	Screw	
4	4812114598	1	Bolt	
5	4812114599	1	Clamp	
6	4812114602	1	Washer	
7	4812114603	1	Plate	
8	4812114600	1	Wiper motor, front	
9	4812114604	1	Wiper arm	
10	4812114605	1	Wiper blade, front	
11	4700601003	2	Washer 8,4x25x2	
12	4700791182	2	Lock nut M8	
13		2	Spacer	
14		2	Washer	
15	4812114601	1	Wiper motor, rear	
16	4812114607	1	Wiper arm	
17	4812114608	1	Wiper blade, rear	
18	4812114610	1	Nozzle	
19	4812114609	1	Clamp	
20	4812114611	A 1XL	Hose	
21	4812114612	1	Water tank	
	4812158293	1	. Cap	
22		F 1XL	Rubber seal	
23	4812114613	1	Bracket	
24	4700904228	7	Washer 6,4x12x1,5	
25	4700904563	3	Lock nut M6	
26	4812115162	1	Filling pipe	
27	4700313023	2	Hose clamp	
28	4700500013	4	Screw M6-1x16 8,8	
29	4812114611	B 1XL	Hose	
30	4700908564	2	Check valve	
31	4812114611	C 1XL	Hose	
32	4700908561	2	Grommet	
33	4812114611	D 1XL	Hose	
34	4812114611	E 1XL	Hose	

- A) L=0.415  
 B) L=0.122  
 C) L=4.4  
 D) L=2.55  
 E) L=0.161  
 F) L=0.201m

Roof

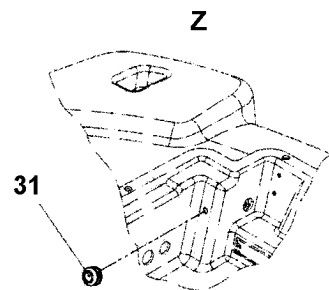
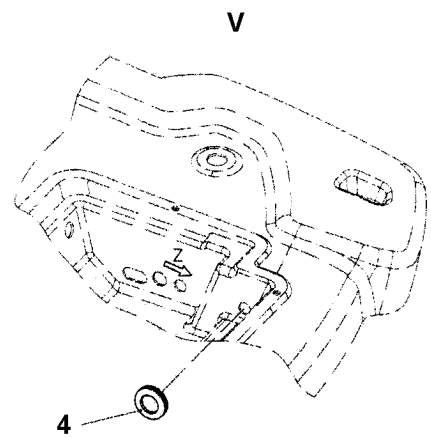
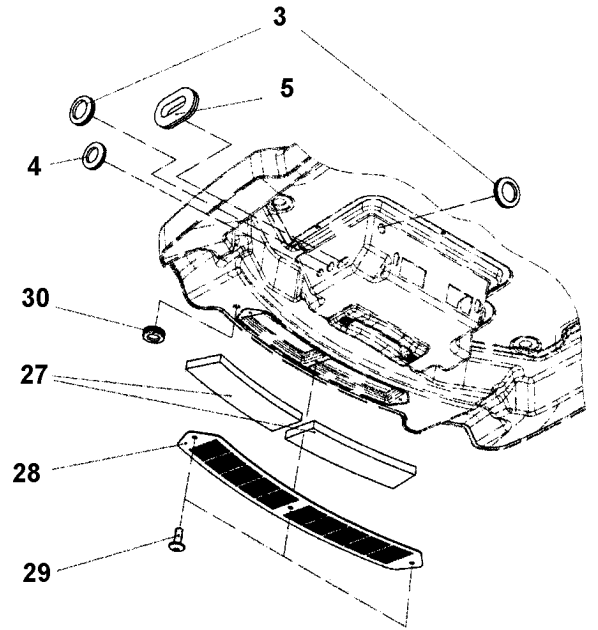
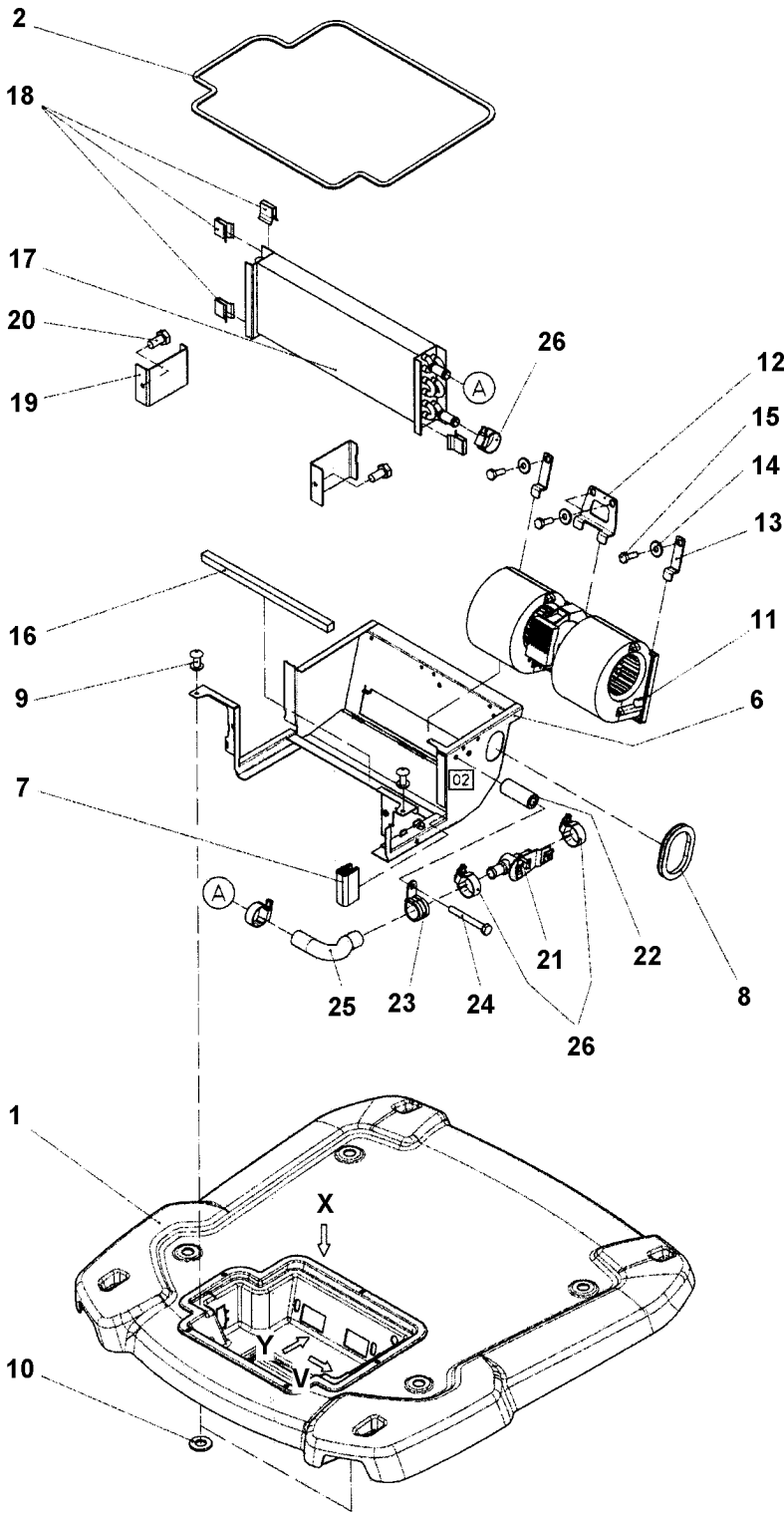


Roof

Item	Part No	Rem	Qty	Description	Code
1			1	<b>Heater assy ( Page 432 )</b>	
2	4812115164	A	1XL	Rubber strip	
3	4812115165		1	AC hood	
4	4812115166		5	Rubber washer	
5	4700601003		7	Washer 8,4x25x2	
6			5	Screw	
7	4812115170		4	Seal washer	
8	4812115171		4	Washer	
9			4	Screw	
10	4700947680		2	Screw M8-1,25x25 10.9	

A) L=6.7m

Heater assy

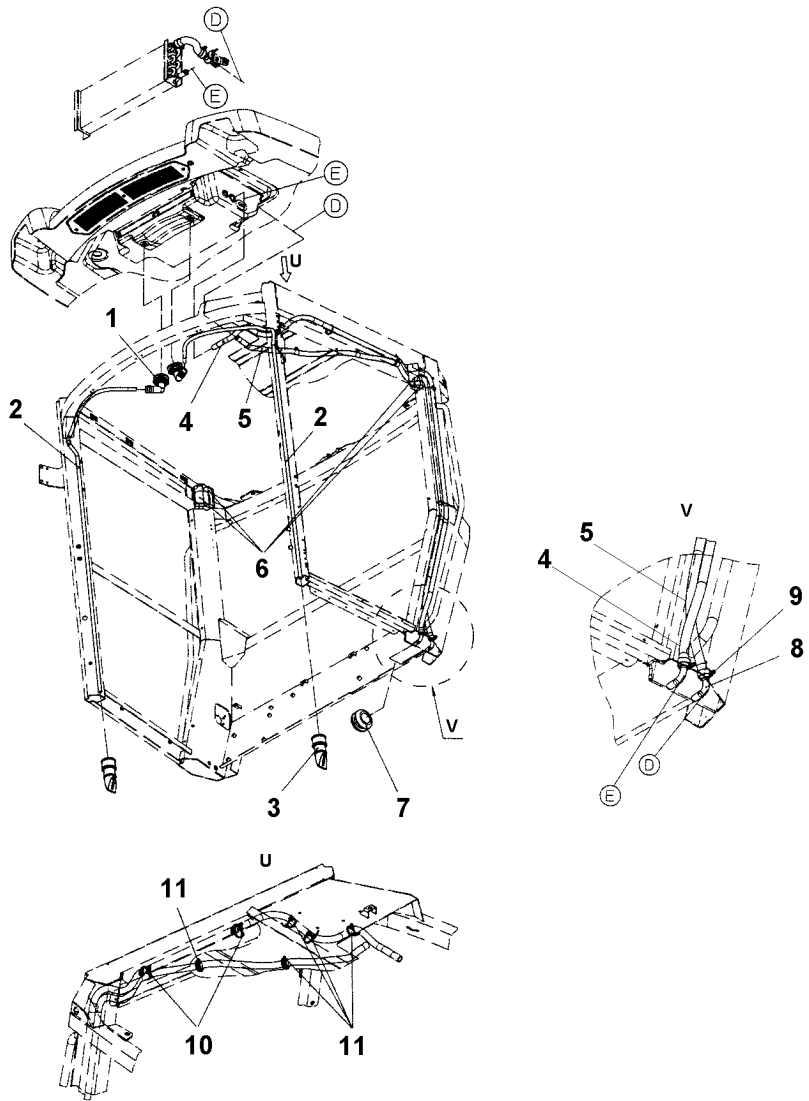


**Heater assy**

<b>Item</b>	<b>Part No</b>	<b>Rem</b>	<b>Qty</b>	<b>Description</b>	<b>Code</b>
1	4812116201		1	Roof	
2		A	1XL	Foam strip	
3			2	Grommet	
4	4700929587		2	Grommet	
5	4812115228		1	Grommet	
6	4812115229		1	Bracket	
7	4700202028	B	1XL	Edge trim	
8	4812115186		1	Cover	
9	4700791666		2	Blind rivet	
10	4700904229		2	Steel plain washer 8,4x16x1,5	
11	4812158485		1	Fan 24V	
12	4812115230		1	Bracket	
13	4812116192		2	Bracket	
14	4700904229		4	Steel plain washer 8,4x16x1,5	
15			4	Hexagon screw	
16	4812115164	C	1XL	Rubber strip	
17	4812116193		1	Heater coil	
18	4812116194		4	Clip	
19	4812116195		2	Bracket	
20	4700500012		2	Screw M6x12	
21	4700939693		1	Heater control valve	
22	4700372174		1	Spacer	
23	4700903670		1	Clamp	
24	4700500079		1	Screw M6-1x50 8,8	
25	4700205112	D	1XL	Coolant hose	
26	4700313004		4	Hose clamp 19-29mm	
27	4812116197		2	Air filter	
28	4812116198		1	Cover	
29			3	Screw	
30	4700791475		1	Grommet	
31			1	Grommet	

- A) L = 2.56m
- B) L = 0.028
- C) L = 0.407m
- D) L = 0.15m

Hose kit heater



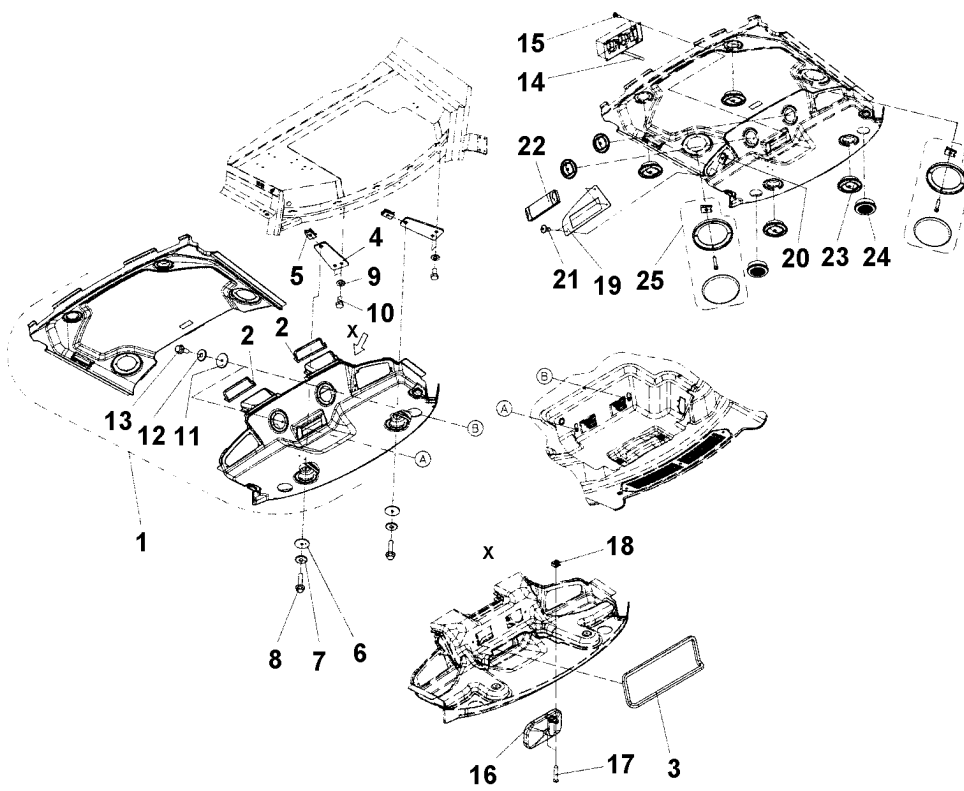


**Hose kit heater**

<b>Item</b>	<b>Part No</b>	<b>Rem</b>	<b>Qty</b>	<b>Description</b>	<b>Code</b>
1	4812115167		2	Connector	
2	4812115168	A	2XL	Drain hose	
3	4812115169		2	Drain valve	
4	4700205112	B	1XL	Coolant hose	
5	4700205112	C	1XL	Coolant hose	
6			1	Foam	
7			1	Grommet	
8	4812115172		2	Connection pipe	
9	4700313004		2	Hose clamp 19-29mm	
10	4700313041		2	Cable ties L=200 mm	
11	4700792441		5	Cable tie with holder	

- A) L=1.96m
- B) L=2.831m
- C) L=2.5m

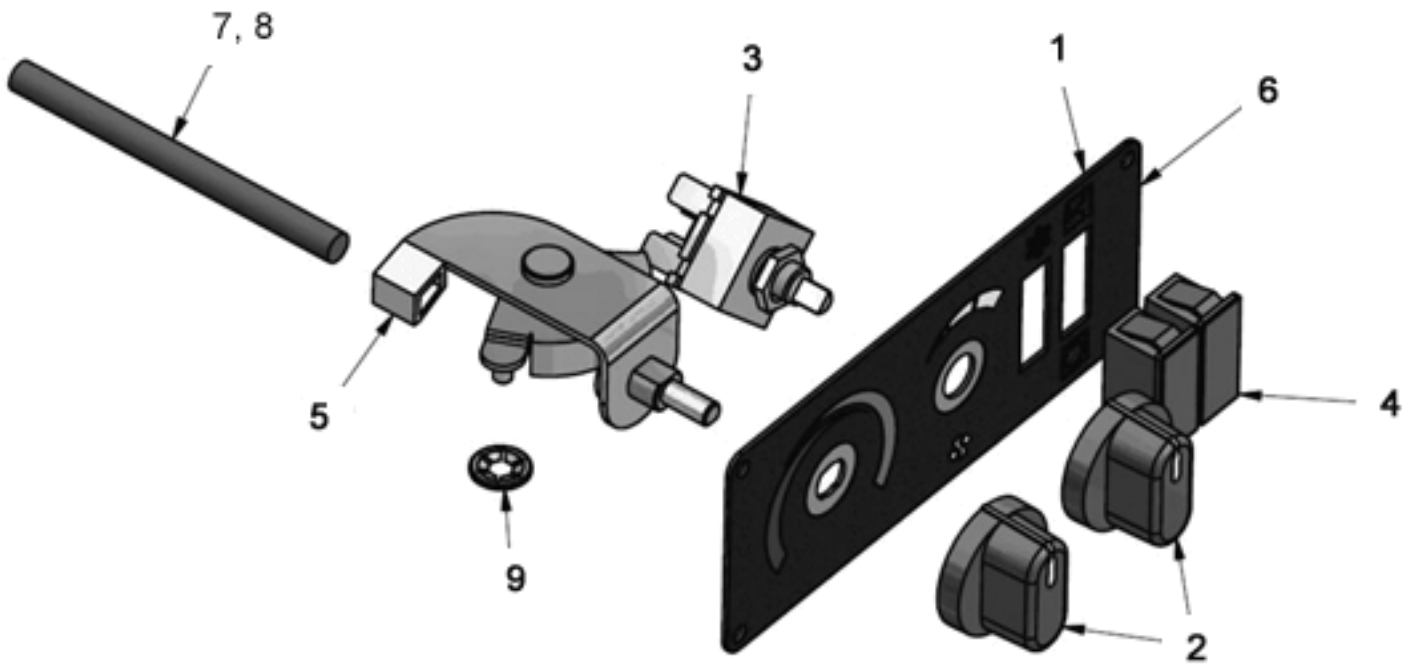
Cab Interior



**Cab Interior**

Item	Part No	Rem	Qty	Description	Code
1	4812158992		1	Inner panel, cpl	
2		A	2XL	Rubber list	
3		B	1XL	Seal	
4	4812115175		2	Bracket	
5	4812114567		2	Speed nut	
6			2	Washer	
7	4700928381		2	Washer 6,4x18x1,6	
8			2	Screw	
9	4700904228		4	Washer 6,4x12x1,5	
10	4700500012		4	Screw M6x12	
11			2	Washer	
12	4700928381		2	Washer 6,4x18x1,6	
13			2	Screw	
14			1	<b>Heater controls ( Page 438 )</b>	
15			4	Screw	
16	4812115177		1	Mirror	
17	4812159768		2	Screw	
18	4812159767		2	Speed nut	
19	4812115178		1	Radio console	
20	4811000458		3	Speed nut	
21			3	Screw	
22	4812115179		1	Radio cover	
23	4812115180		6	Air nozzle	
24			2	Air inlet cover	
25			2	Speaker cover	
A)	L=0.525m				
B)	L=0.915m				

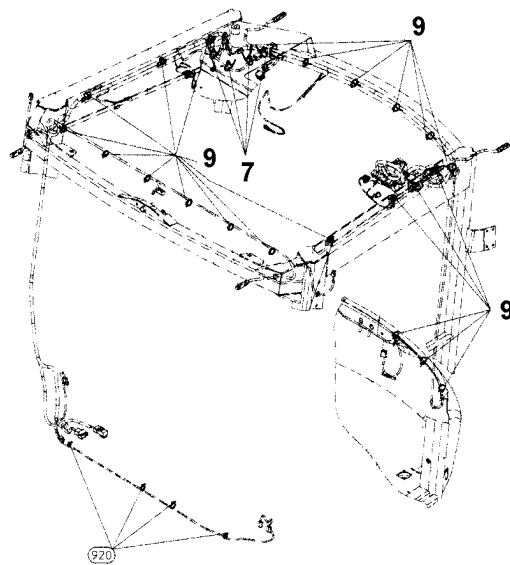
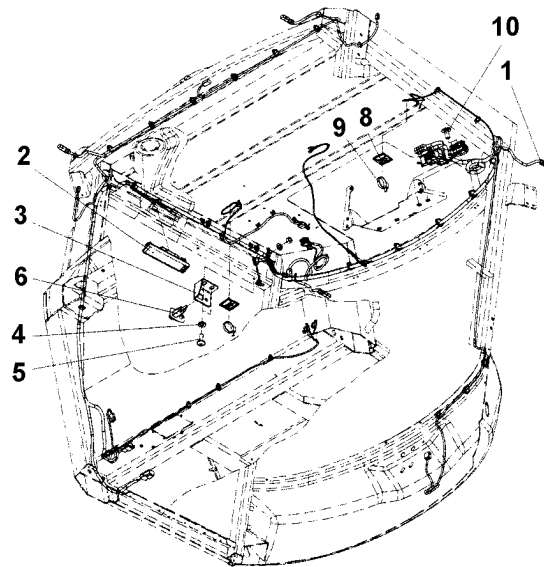
Heater controls



Heater controls

Item	Part No	Rem Qty	Description	Code
1		1	Panel plate	
2	4700377508	2	Knob	
3	4700938622	1	Switch	
4		2	Cover	
5	4700377507	1	Rotary control	
6		1	Overlay	
7	4700395841	1	Wire clips	
8		1	Wire	
9	4700395853	2	Lock washer	

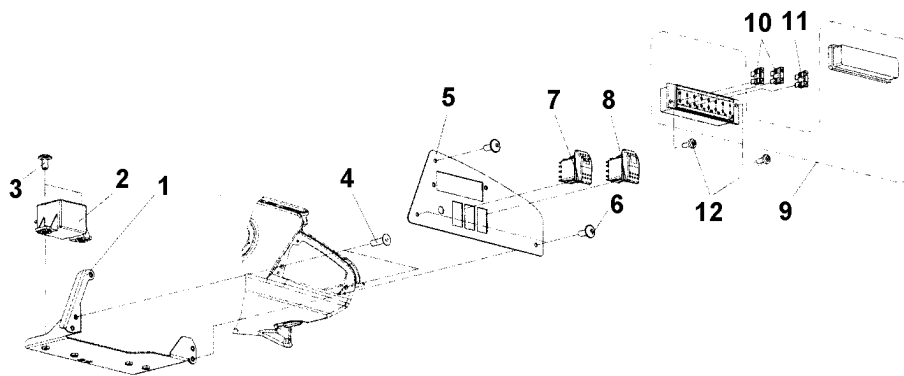
Cab cable harness



**Cab cable harness**

<b>Item</b>	<b>Part No</b>	<b>Rem Qty</b>	<b>Description</b>	<b>Code</b>
1	4812115181	1	Cable harness	
2		1	Lamp	
3	4812115182	1	Bracket	
4	4700904228	2	Washer 6,4x12x1,5	
5		2	Screw	
6	4812115183	1	Door switch	
7	4700792441	4	Cable tie with holder	
8		2	Cable tie holder	
9	4700313041	28	Cable ties L=200 mm	
10		2	Screw	

**Cab, electrical equipment**

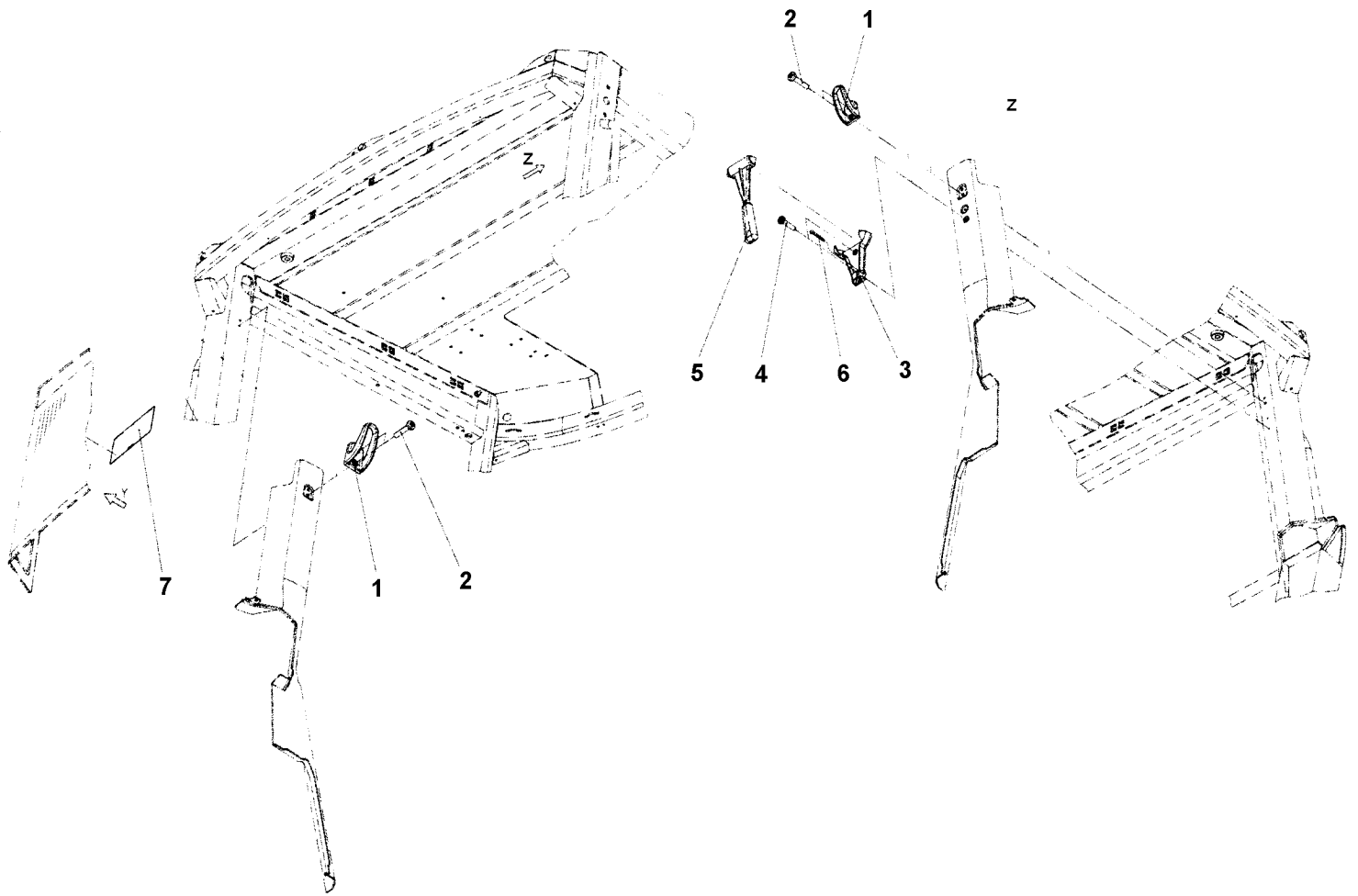




## Cab, electrical equipment

Item	Part No	Rem Qty	Description	Code
1	4812115184	1	Bracket	
2	4700792309	1	Relay 50A	
3		2	Screw	
4	4700904504	2	Screw M5 x 18	
5	4812115185	1	Bracket	
6		3	Screw	
7	4812115187	1	Switch	
8	4700792505	1	Switch	
9	4700791185	1	Fuse box	
10	4700901227	2	Fuse 10A	
11	4700901228	1	Fuse 15A	
12	4700791966	2	Head screw M4 x 12	

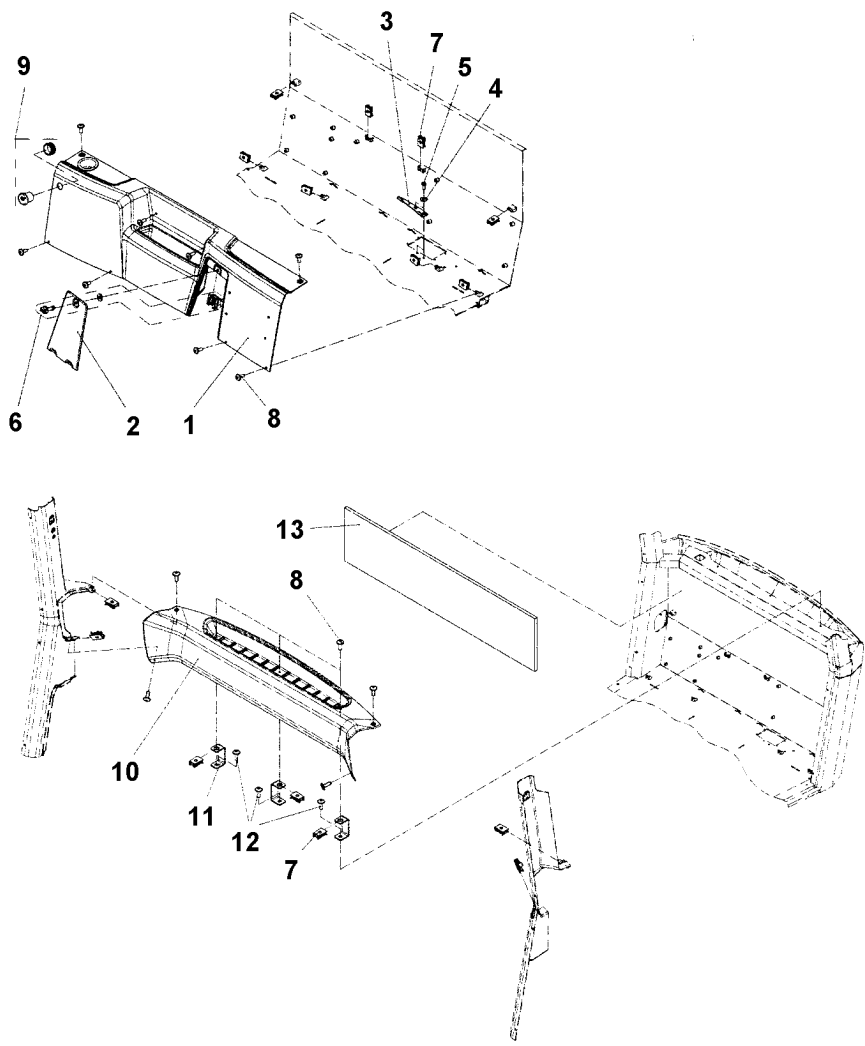
Emergency hammer, hook



**Emergency hammer, hook**

<b>Item</b>	<b>Part No</b>	<b>Rem Qty</b>	<b>Description</b>	<b>Code</b>
1	4700908505	2	Hook	
2		4	Screw	
3	4700908507	1	Emergency hammer, hook	
4		2	Screw	
5	4700908506	1	Emergency hammer	
6		1	Splint	
7	4700903590	1	Decal "EMERGENCY EXIT"	

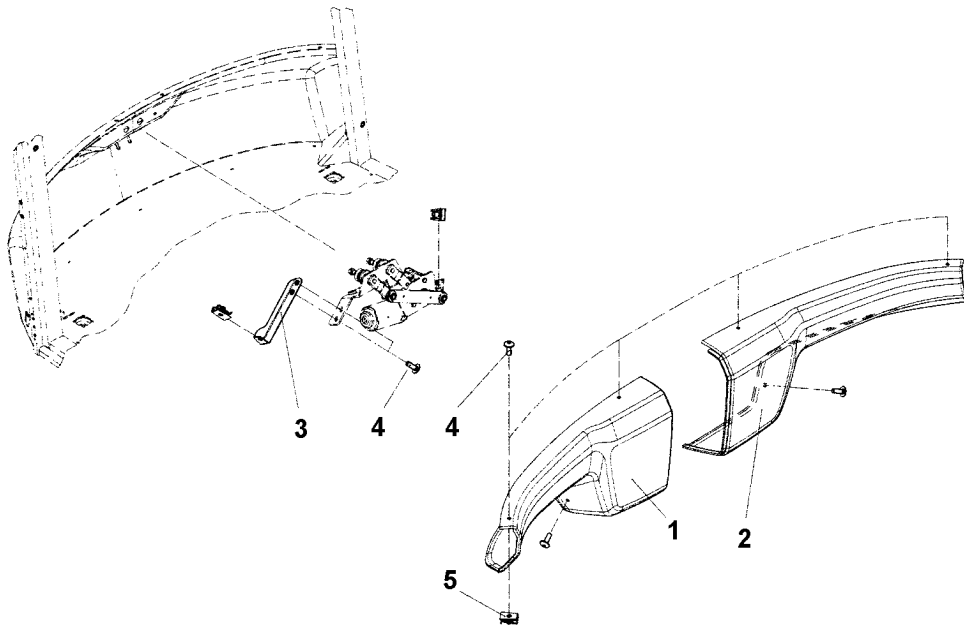
Cab, rear cover



**Cab, rear cover**

<b>Item</b>	<b>Part No</b>	<b>Rem Qty</b>	<b>Description</b>	<b>Code</b>
1	4812114573	1	Cover	
2	4812114564	1	Service cover	
3	4812114565	1	Bracket	
4	4700601001	2	Washer	
5	4700500004	2	Hexagon head screw m	
6	4812114566	1	Lock	
7	4812114567	15	Speed nut	
8		15	Screw	
9		1	Socket, 24V	
10	4812114574	1	Cover	
11	4812114575	3	Bracket	
12		3	Screw	
13	4812114576	1	Cover	

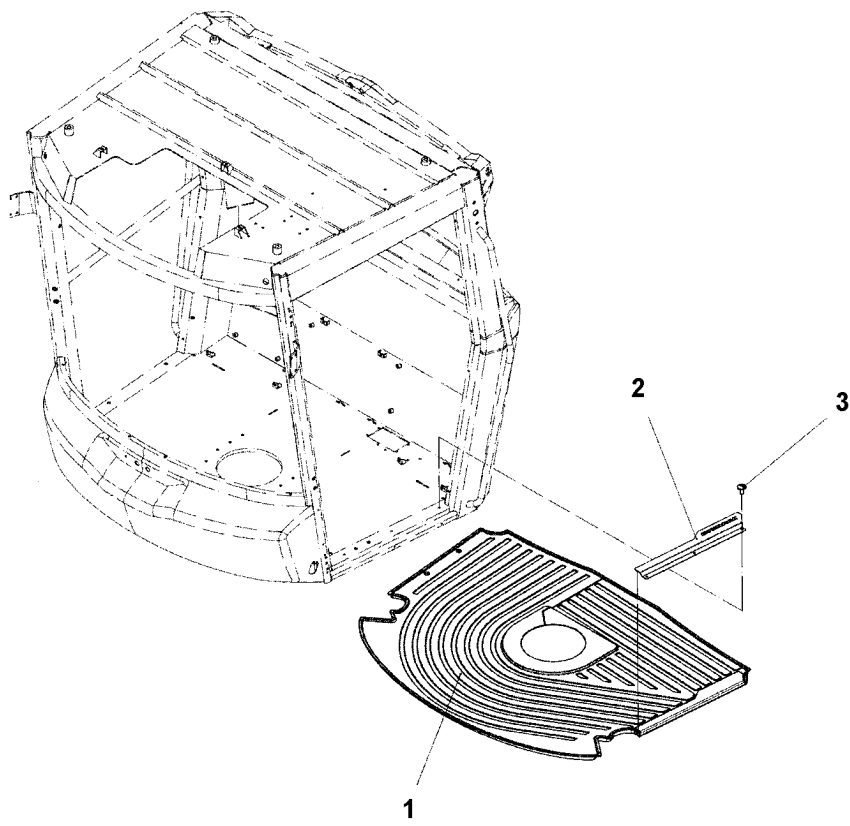
**Cab, front cover**



## Cab, front cover

Item	Part No	Rem Qty	Description	Code
1	4812114570	1	Cover	
2	4812114571	1	Cover	
3	4812114572	1	Bracket	
4		8	Screw	
5	4812114567	6	Speed nut	

**Floor mat**

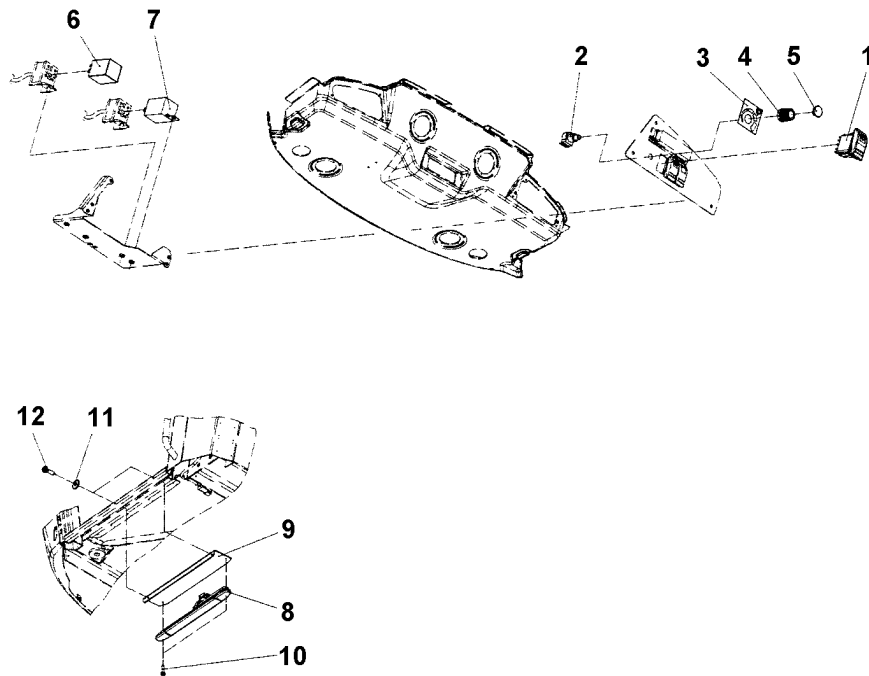




Floor mat

Item	Part No	Rem Qty	Description	Code
1	4812115197	1	Floor mat	
2	4812115198	1	Entrance plate	
3		3	Screw	

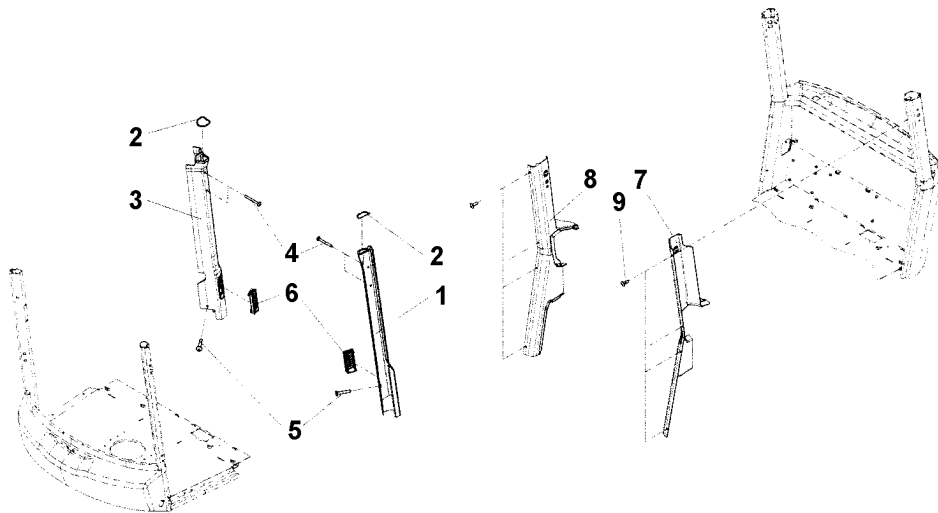
**Step light, wiper switch**



Step light, wiper switch

Item	Part No	Rem Qty	Description	Code
1	4812115188	1	Switch, front wiper	
2	4812115189	1	Potentiometer	
3		1	Decal	
4	4812158859	1	Knob	
5	4812158860	1	Cap	
6	4812115190	1	Relay interval	
7	4812115191	1	Time control unit	
8	4812115199	1	Step light	
9	4812115224	1	Bracket	
10		2	Screw	
11		2	Washer	
12		2	Screw	

**Air channel**

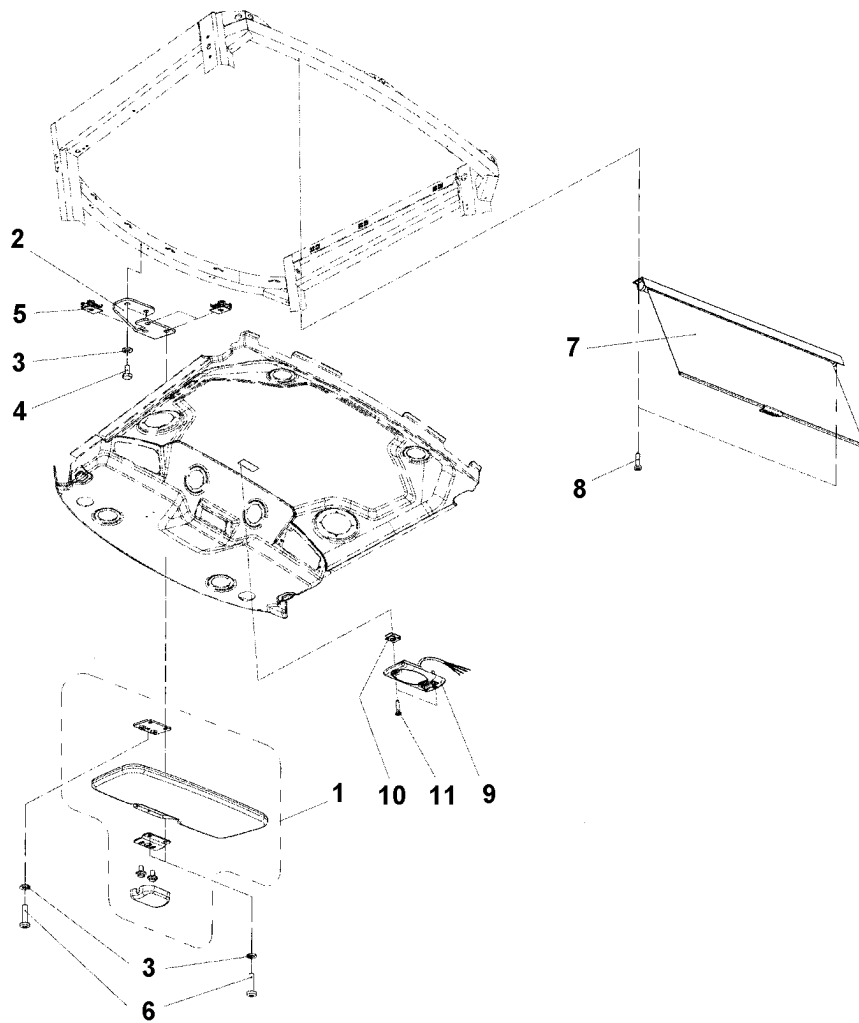


**Air channel**

Item	Part No	Rem	Qty	Description	Code
1	4812114577		1	Air channel	
2		A	2XL	Seal	
3	4812114578		1	Air channel	
4			4	Screw	
5			2	Screw	
6	4812114579		2	Air nozzle	
7	4812114580		1	Cover	
8	4812114581		1	Cover	
9			8	Screw	

A) L=0.195m

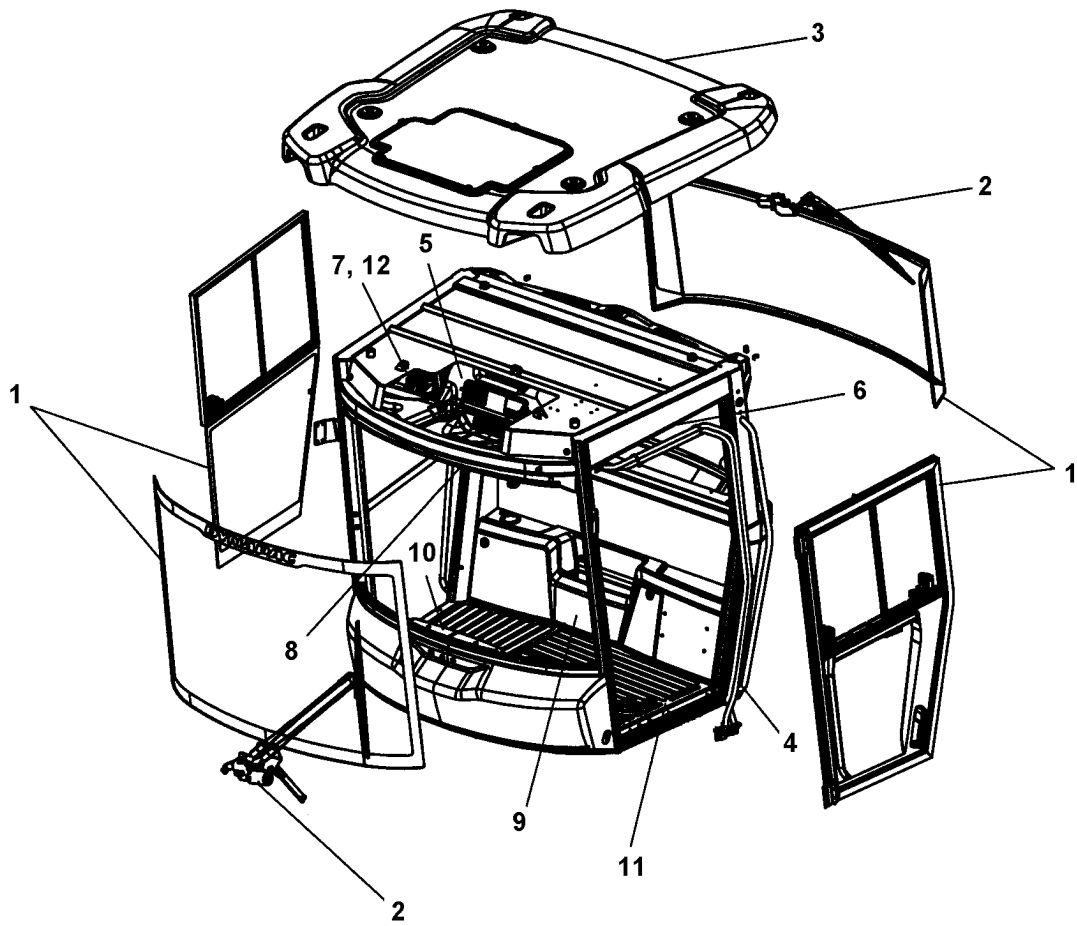
Sun-blind, inner light



**Sun-blind, inner light**

<b>Item</b>	<b>Part No</b>	<b>Rem Qty</b>	<b>Description</b>	<b>Code</b>
1	4812114582	1	Sun-blind	
2	4812114583	1	Bracket	
3	4700904228	5	Washer 6,4x12x1,5	
4	4700500012	2	Screw M6x12	
5	4812114567	3	Speed nut	
6	4700791171	3	Screw	
7	4812114584	1	Sun-blind	
8	4700904206	2	Screw	
9	4812114585	1	Inner light	
10		2	Nut	
11		2	Screw	

4812119367 Cab, cpl Basic

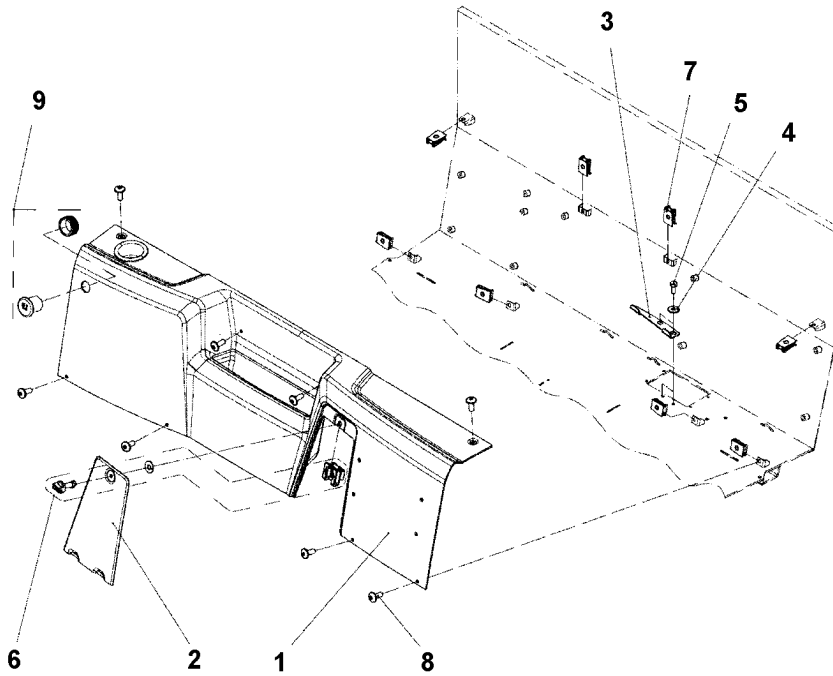




4812119367 Cab, cpl Basic

Item	Part No	Rem Qty	Description	Code
1		1	Screens ( Page 422 )	
2		1	Windshield wiper ( Page 428 )	
3		1	Roof ( Page 430 )	
4		1	Hose kit heater ( Page 434 )	
5		1	Cab Interior ( Page 436 )	
6		1	Cab cable harness ( Page 440 )	
7		1	Cab, electrical equipment ( Page 442 )	
8		1	Emergency hammer, hook ( Page 444 )	
9		1	Cab, rear cover ( Page 460 )	
10		1	Cab, front cover ( Page 462 )	
11	4812114568	1	Floor mat	
12		1	Wiper switch, front ( Page 464 )	
14		1	Cab, basic kit ( Page 414 )	
15	4812112268	1	Rops	

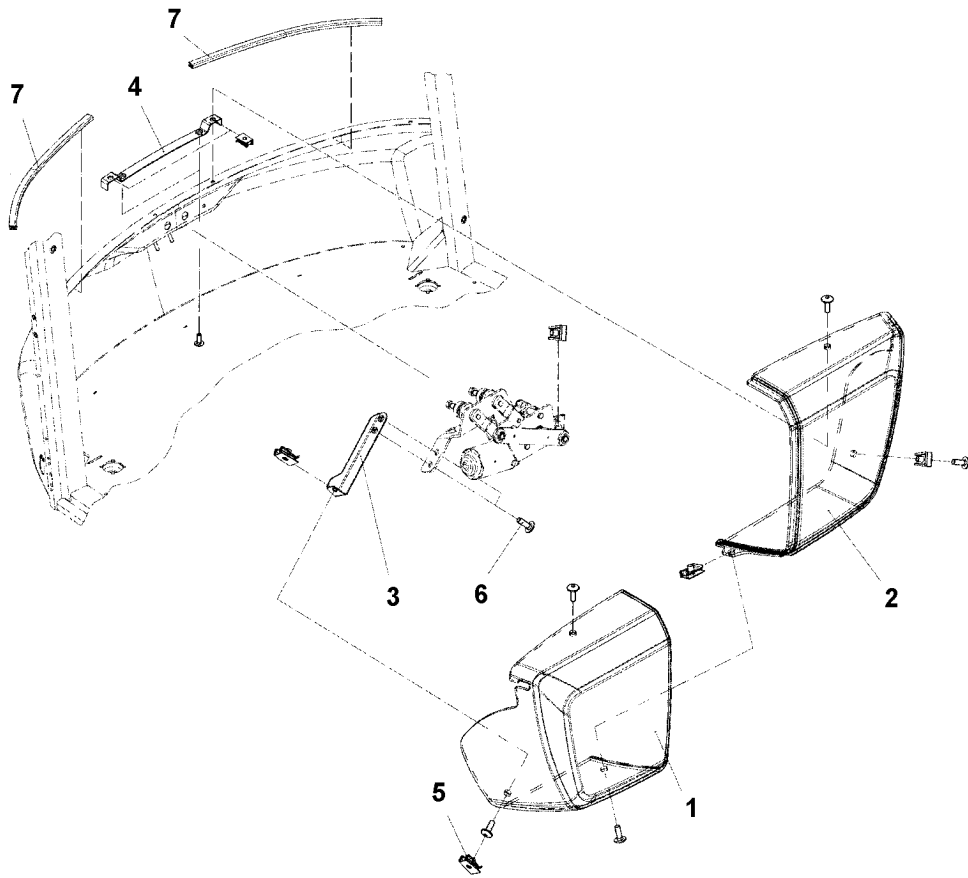
**Cab, rear cover**



**Cab, rear cover**

<b>Item</b>	<b>Part No</b>	<b>Rem Qty</b>	<b>Description</b>	<b>Code</b>
1	4812114563	1	Rear cover	
2	4812114564	1	Service cover	
3	4812114565	1	Bracket	
4	4700601001	2	Washer	
5	4700500004	2	Hexagon head screw m	
6	4812114566	1	Lock	
7	4812114567	8	Speed nut	
8		8	Screw	
9		1	Socket, 24V	

**Cab, front cover**

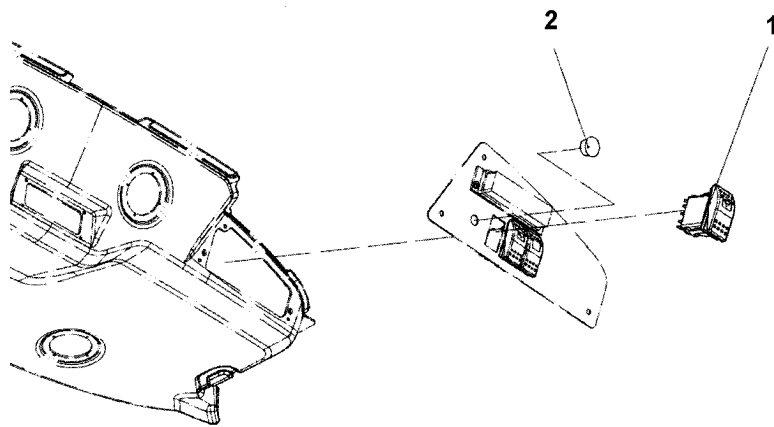


**Cab, front cover**

Item	Part No	Rem	Qty	Description	Code
1			1	Front cover Left	
2			1	Front cover Right	
3	4812114572		1	Bracket	
4			1	Bracket	
5	4812114567		5	Speed nut	
6			9	Screw	
7	4700202028	A	2XL	Edge trim	

A) L=0.473m

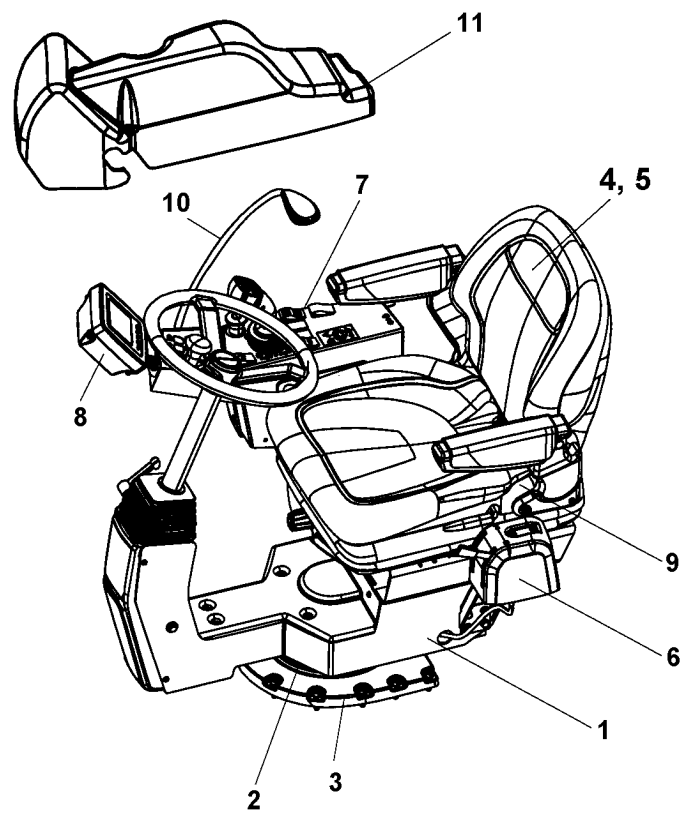
**Wiper switch, front**



## Wiper switch, front

Item	Part No	Rem Qty	Description	Code
1	4812115192	1	Switch	
2		1	Plug	

Drivers seat

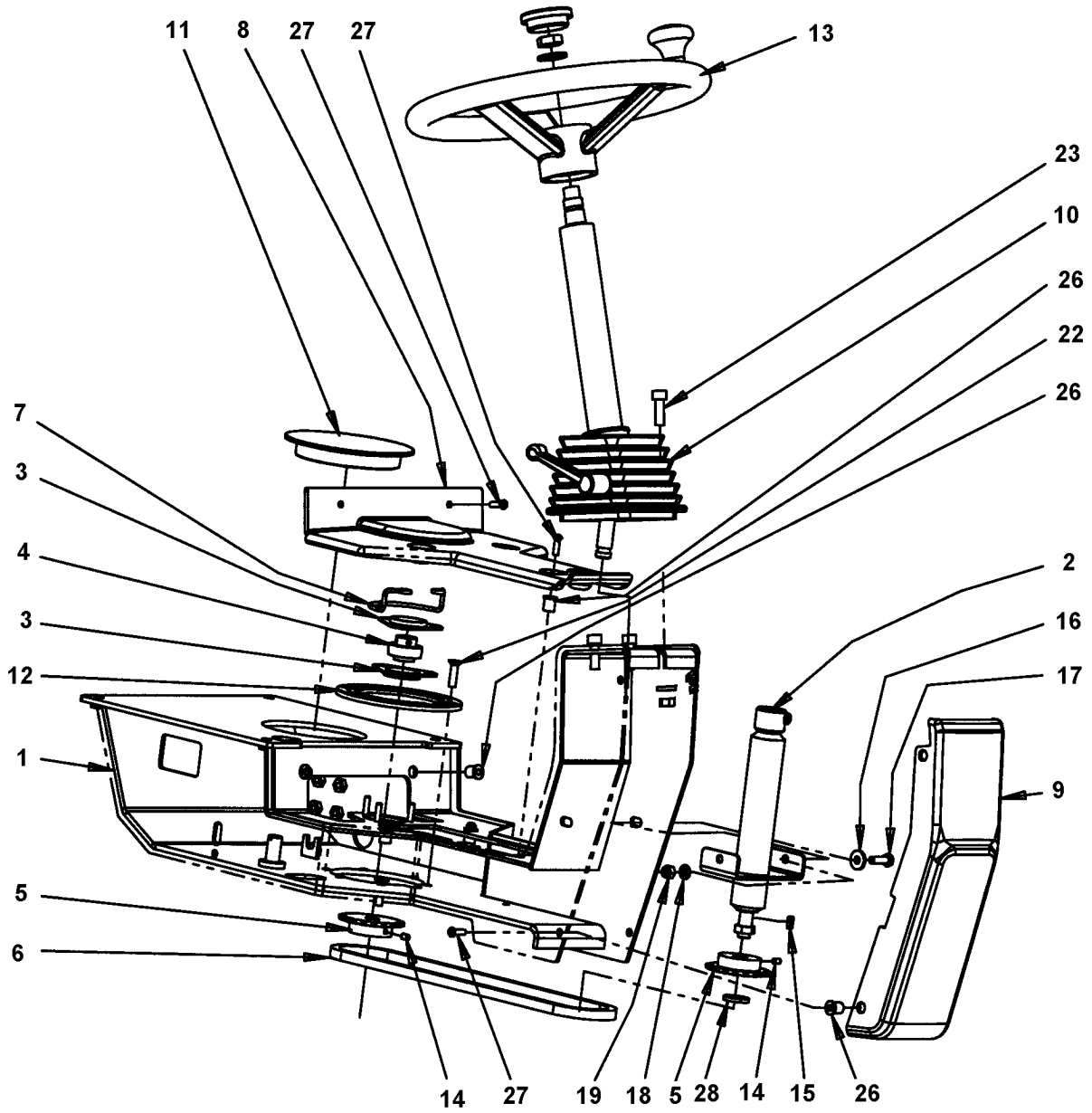




Drivers seat

Item	Part No	Rem	Qty	Description	Code
1			1	Seat frame structure ( Page 468 )	
2			1	Seat frame adapter module, rotating ( Page 472 )	
			1	Seat frame adapter module, fixed ( Page 474 )	
3			1	Floor cassette module ( Page 476 )	
4			1	Seat, fabric suspended ( Page 478 )	
5			1	Seat, galon suspended ( Page 480 )	
6			1	Control module ( Page 482 )	
7			1	Forward reverse control module ( Page 484 )	
8			1	Display unit ( Page 486 )	
9			1	Seat belt 2" ( Page 488 )	
	A		1	Seat belt 3" ( Page 490 )	
	A		1	Seat belt 2" with reminder ( Page 492 )	
	A		1	Seat belt 3" with reminder ( Page 494 )	
10			1	Reading light ( Page 496 )	
11			1	Control panel cover ( Page 498 )	
A)	Option.				

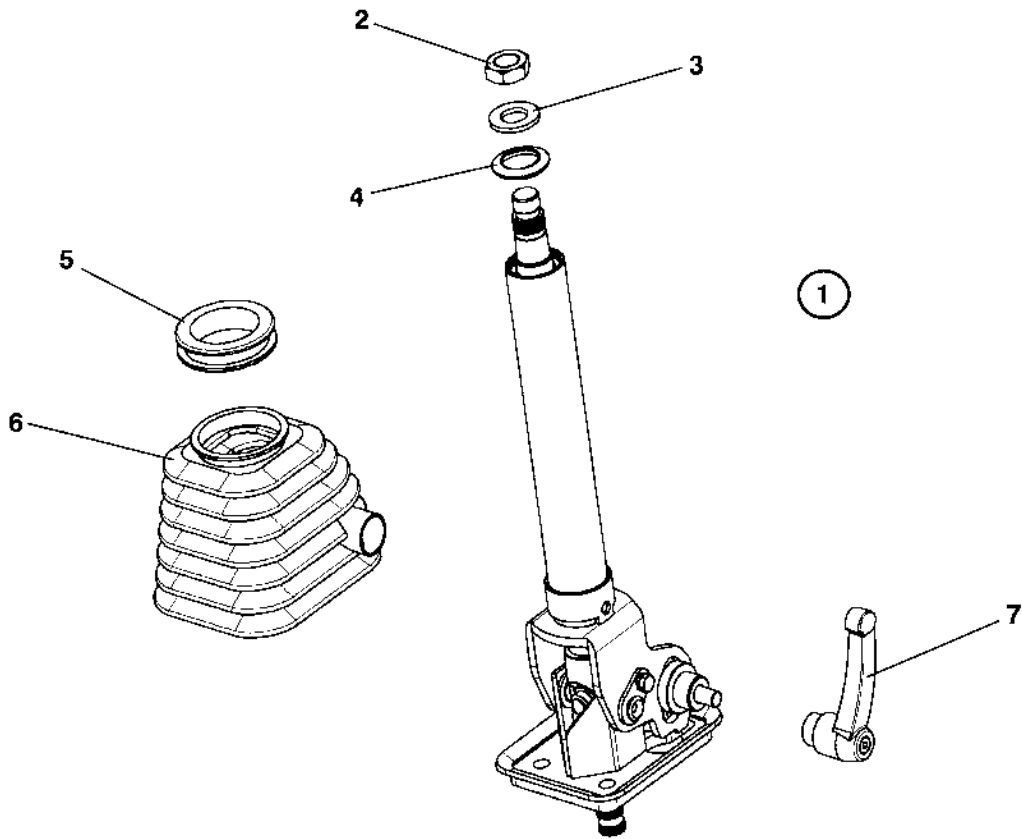
Seat frame structure



## Seat frame structure

Item	Part No	Rem Qty	Description	Code
1	4700395447	1	Seat frame	
2	4700359919	1	Shaft	
3	4700903917	2	Bearing outer	
4	4700903918	1	Bearing inner	
5	4700359916	2	Chain wheel	
6	4700379718	1	Chain and connecting link	
7	4700372672	1	Chain guard	
8	4700392839	1	Cover	
9	4700392840	1	Cover	
10	4700391163	1	<b>Steering column ( Page 470 )</b>	
11	4700359920	1	Plug	
12	4700372965	1	Lock ring	
13	4700372964	1	Steering wheel, cpl	
14	4700516040	2	Set screw	
15	4700350009	1	Flat key	
16	4700904640	2	Washer 8,4x22x3	
17	4700500021	2	Screw M8-1,25x25 8.8	
18	4700904229	2	Steel plain washer 8,4x16x1,5	
19	4700586003	2	Lock nut M8	
22	4700902520	6	Screw	
23	4700508029	3	Screw M10-1,5x30H 8,8	
26	4700792539	10	Rubber nut	
27	4700791524	10	Screw M6X20	
28	4700904214	1	Washer 15x30x4 300 HV	

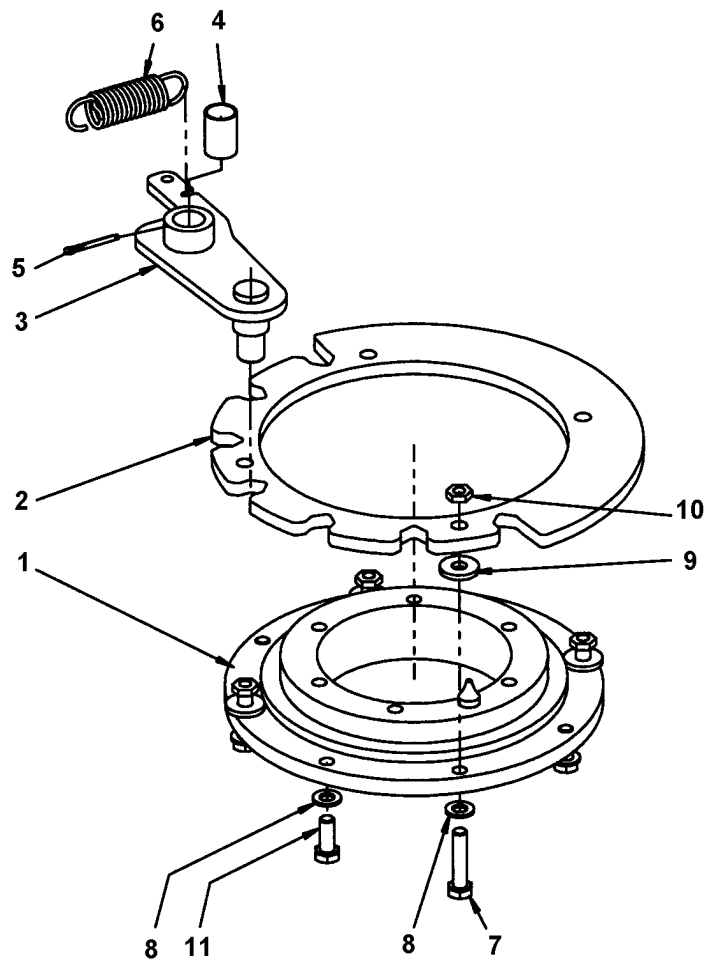
4700391163 Steering column



**4700391163 Steering column**

<b>Item</b>	<b>Part No</b>	<b>Rem Qty</b>	<b>Description</b>	<b>Code</b>
1	4700391163		<b>Steering column ( Page 470 )</b>	
2	4700945632	1	. Nut	
3	4700945633	1	. Washer	
4	4700945634	1	. Rubber cap	
5	4700945635	1	. Bellows ring	
6	4700945636	1	. Bellows	
7	4700945637	1	. Locking handle	

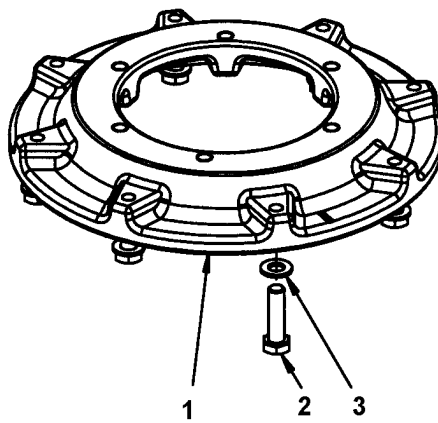
Seat frame adapter module, rotating



## Seat frame adapter module, rotating

Item	Part No	Rem Qty	Description	Code
1	4700359125	1	Ball bearing	
2	4700379728	1	Locking disc	
3	4700395383	1	Coupling link	
4	4700359819	1	Bushing	
5	4700630008	1	Pin	
6	4700359043	1	Spring	
7	4700792678	4	Screw	
8	4700904229	8	Steel plain washer 8,4x16x1,5	
9	4700904640	4	Washer 8,4x22x3	
10	4700573008	4	Nut M8	
11	4700947679	4	Screw	

**Seat frame adapter module, fixed**

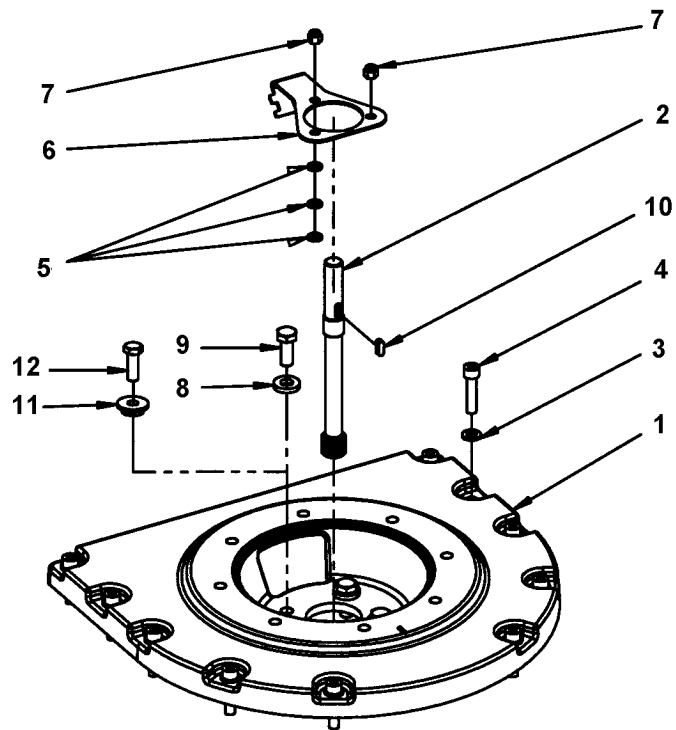




## Seat frame adapter module, fixed

Item	Part No	Rem Qty	Description	Code
1	4812110891	1	Spacer	
2	4700500022	8	Screw M8x30H 8.8	
3	4700904229	8	Steel plain washer 8,4x16x1,5	

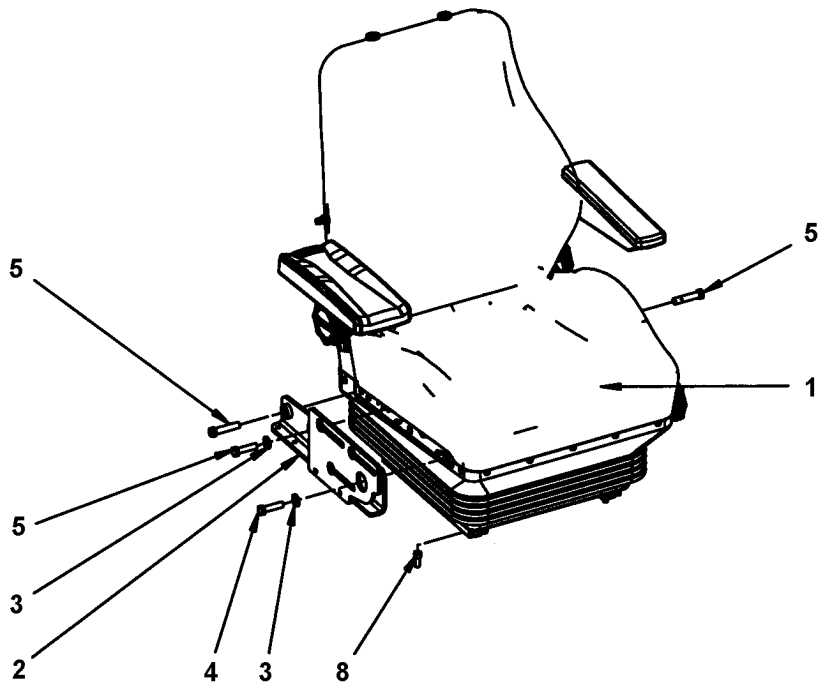
Floor cassette module



## Floor cassette module

Item	Part No	Rem Qty	Description	Code
1	4812111294	1	Adapter	
2	4812110885	1	Splined shaft	
3	4700904229	10	Steel plain washer 8,4x16x1,5	
4	4700508027	10	Screw	
5	4700904228	3	Washer 6,4x12x1,5	
6	4812114172	1	Bracket	
7	4700586002	3	Lock nut M6 -8	
8	4700904557	4	Steel plain washer	
9	4700500028	4	Screw	
10	4700350009	1	Flat key	
11	4812113478	4	Washer	
12	4700500029	4	Hexagon head screw	

Seat, fabric suspended

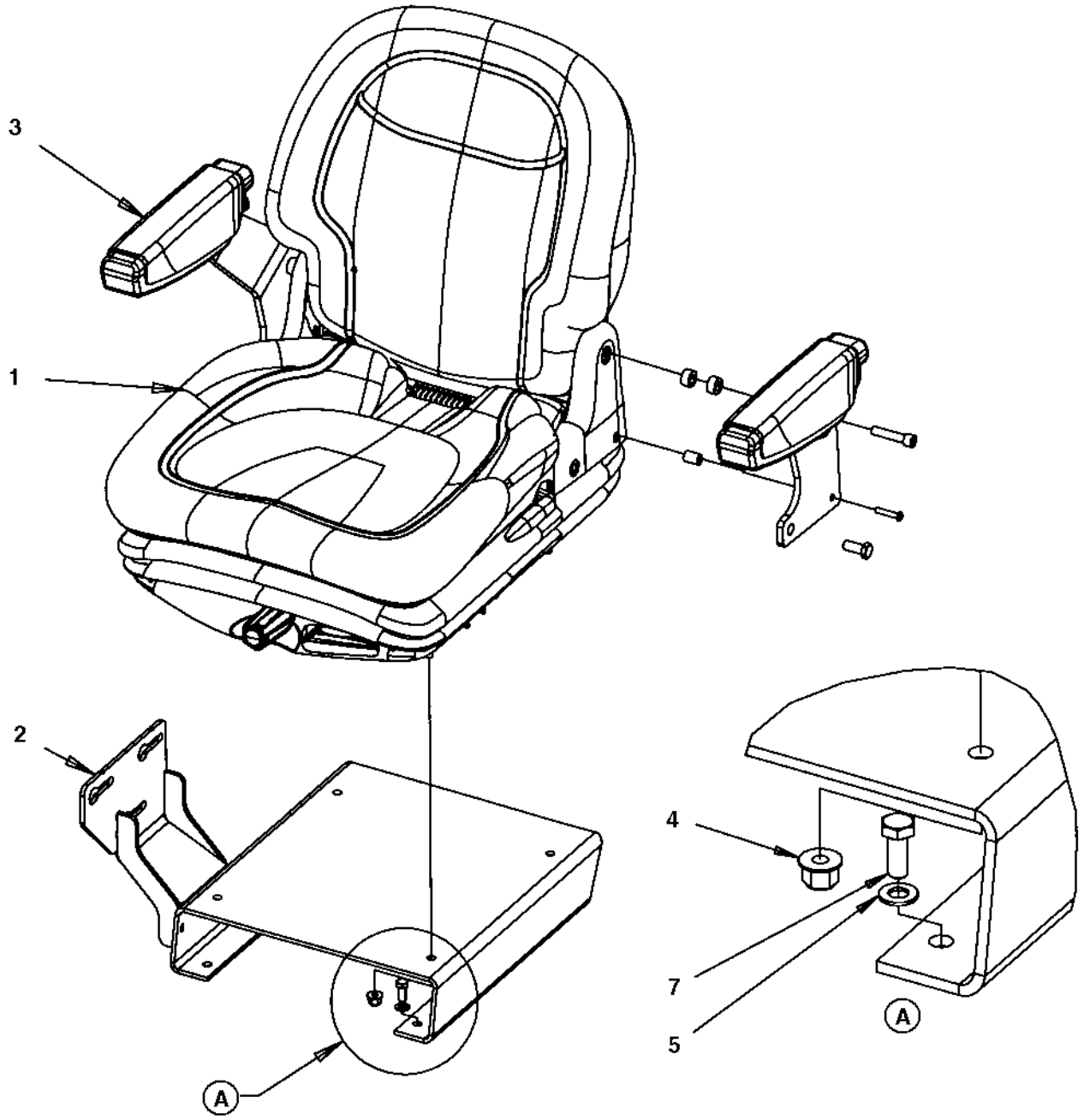


**Seat, fabric suspended**

Item	Part No	Rem	Qty	Description	Code
1	4812116357	A	1	Drivers seat	
	4700937892		1	. Seat switch	
	4700937620		1	. Arm rest, right	
	4812158367		1	. Arm rest wide, right	
	4700937621		1	. Arm rest, left	
2	4812116289		1	Control bracket	
3	4700904230		2	Steel plain washer	
4	4700500028		1	Screw	
5	4700792527		3	Screw	
8	4700508092		4	Screw	

A) Without seat belt.

Seat, galon suspended

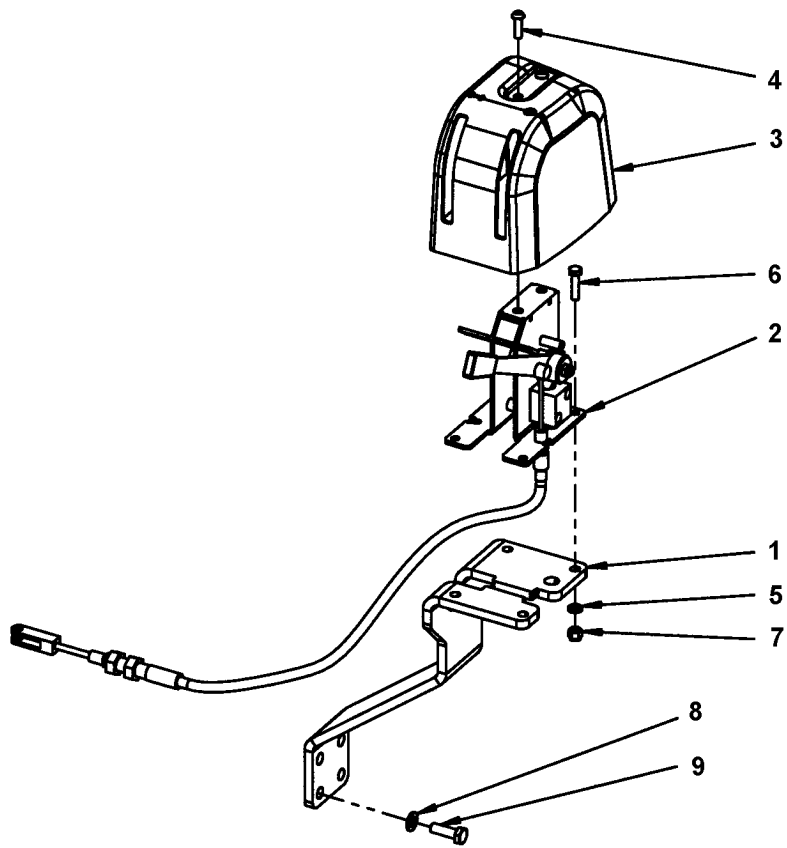


**Seat, galon suspended**

Item	Part No	Rem Qty	Description	Code
1	4700377518	1	Drivers seat, cpl	
	4700945622	1	. Seat switch	
	4700945661	A 1	. Adjuster kit	
2	4700390561	1	Seat frame	
3	4700390963	1	Arm rest kit	
4	4700902286	4	Hexagon lock nut with flange	
5	4700904229	4	Steel plain washer 8,4x16x1,5	
7	4700500053	4	Screw M8x20H 8.8	

A) Left & right sliding rail

Control module

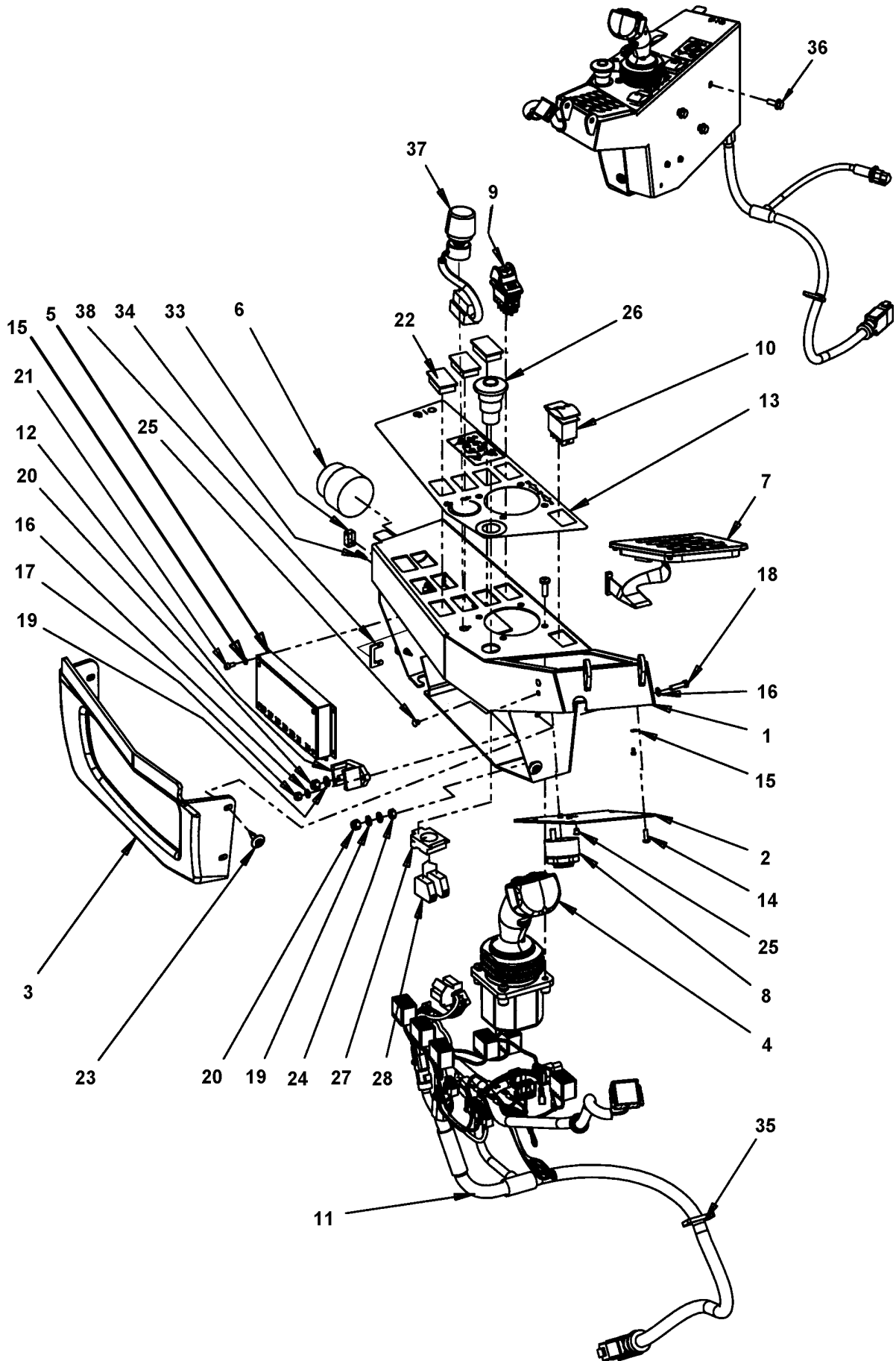




## Control module

Item	Part No	Rem Qty	Description	Code
1	4812118312	1	Bracket	
2	4812111216	1	Control, cpl	
	4700393496	1	. Cable, turning 675	
3	4700392965	1	Control cover	
4	4700791524	2	Screw M6X20	
5	4700904228	4	Washer 6,4x12x1,5	
6	4700500075	4	Screw M6-1,0x25 8.8	
7	4700586002	4	Lock nut M6 -8	
8	4700904229	4	Steel plain washer 8,4x16x1,5	
9	4700500021	4	Screw M8-1,25x25 8.8	

Forward reverse control module

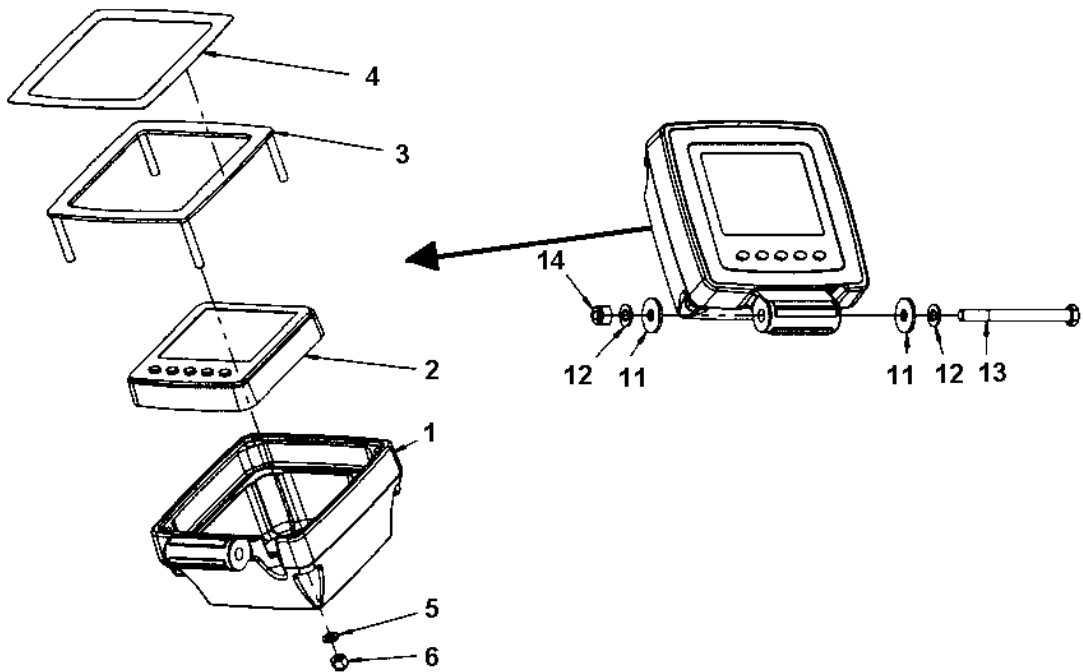


## Forward reverse control module

Item	Part No	Rem Qty	Description	Code
1	4812110886	1	Control box	
2	4700391396	1	Cover	
3	4700396662	1	Cover	
4	4700391420	1	Control handle	
5	4812113875	1	Control unit	
6	4812110901	1	Ignition switch	
	4700940451	1	. Key	
7	4812114803	1	Membrane switch panel	
8	4700385599	1	Buzzer	
9	4812118697	A	Switch, parking brake	
10	4700792414	1	Switch, RPM	
	4812117490	1	Switch, eco option	
11	4812118754	A	Cable harness	
12	4700392930	1	Junction box	
13	4812111780	1	Decal	
14	4812119227	4	Tapping screw	
15	4700904698	8	Washer 4,3x8x0,8	
16	4700904281	4	Washer 5,3x10x1 300HV	
17	4700586001	2	Lock nut	
18	4700500060	2	Screw M5-0,8x20 8.8	
19	4700904228	3	Washer 6,4x12x1,5	
20	4700586002	2	Lock nut M6 -8	
21	4700508017	4	Hexagon socket head cap screw	
22	4700791588	3	Panel plug	
23	4700395785	4	Expansion rivet	
24	4700570004	1	Nut M6X1,00 -8 A2K	
25	4700902804	5	Plug	
26	4700791739	1	Emergency stop	
27	4700791733	1	Fixing collar	
28	4700791723	2	Connector N/C	
33	4812114214	1	Cover	
34	4812114213	2	Lock screw	
35	4700313041	N	Cable ties L=200 mm	
36	4700500505	3	Screw M8x20 8.8	
37	4700388737	1	Potentiometer	
38	4812119317	1	Holder	

A) Item 4812118697 used with item 4812118754.

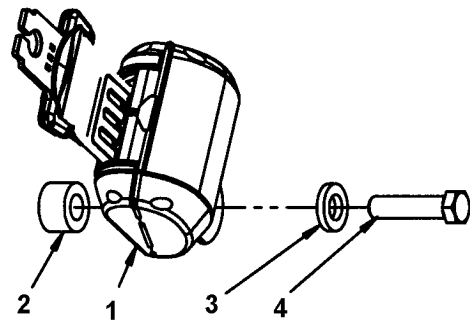
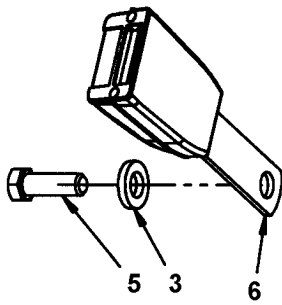
Display unit



Display unit

Item	Part No	Rem Qty	Description	Code
1	4700392717	1	Display holder	
2	4812113786	1	Display unit	
3	4700392719	1	Cover	
4	4700393094	1	Decal	
5	4700904228	4	Washer 6,4x12x1,5	
6	4700586002	4	Lock nut M6 -8	
11	4700903662	2	Washer	
12	4700904229	2	Steel plain washer 8,4x16x1,5	
13	4700500115	1	Hexagon head screw M8x90 8.8	
14	4700586003	1	Lock nut M8	

**Seat belt 2"**

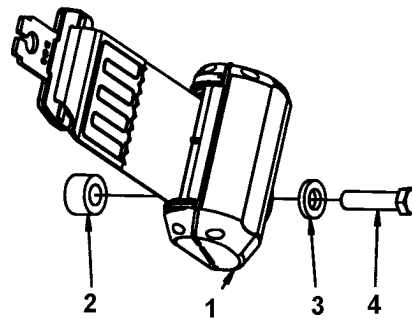
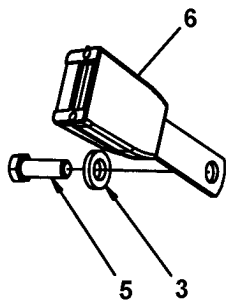


**Seat belt 2"**

<b>Item</b>	<b>Part No</b>	<b>Rem</b>	<b>Qty</b>	<b>Description</b>	<b>Code</b>
1	4812117922		1	Seat belt	
2	4700791572		1	Spacer washer	
3	4700904703		4	Steel plain washer	
4	4700792527	A	1	Screw	
5	4700928347	A	2	Hexagon screw	
6	4812117924		1	Buckle	

A) Used with seat 4700377518.

**Seat belt 3"**

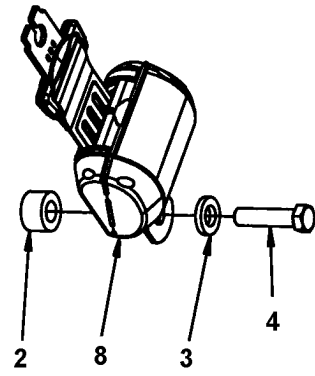
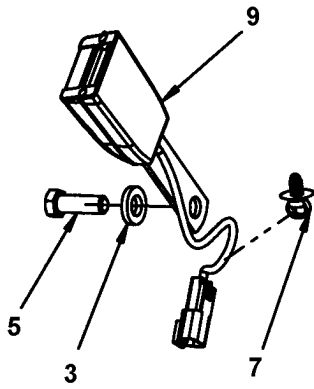




**Seat belt 3"**

<b>Item</b>	<b>Part No</b>	<b>Rem Qty</b>	<b>Description</b>	<b>Code</b>
1	4812118816	1	Seat belt 3"	
2	4700791572	1	Spacer washer	
3	4700904703	4	Steel plain washer	
4	4700792527	1	Screw	
5	4700928347	2	Hexagon screw	
6	4812117924	1	Buckle	

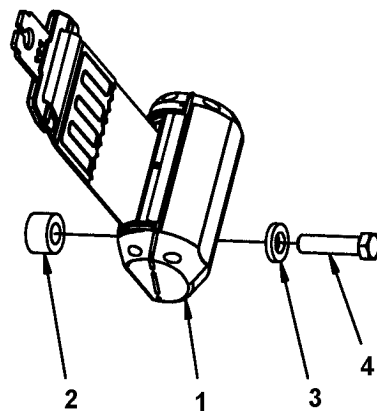
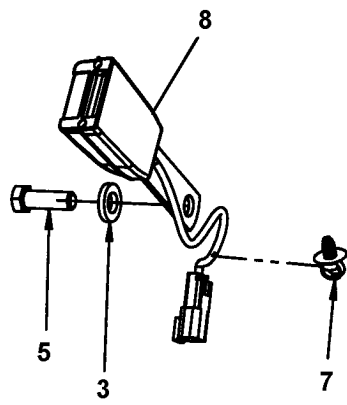
**Seat belt 2" with reminder**



**Seat belt 2" with reminder**

<b>Item</b>	<b>Part No</b>	<b>Rem Qty</b>	<b>Description</b>	<b>Code</b>
2	4700791572	1	Spacer washer	
3	4700904703	4	Steel plain washer	
4	4700792527	1	Screw	
5	4700928347	2	Hexagon screw	
7	4700792441	1	Cable tie with holder	
8	4812117922	1	Seat belt	
9	4812117925	1	Buckle with reminder	

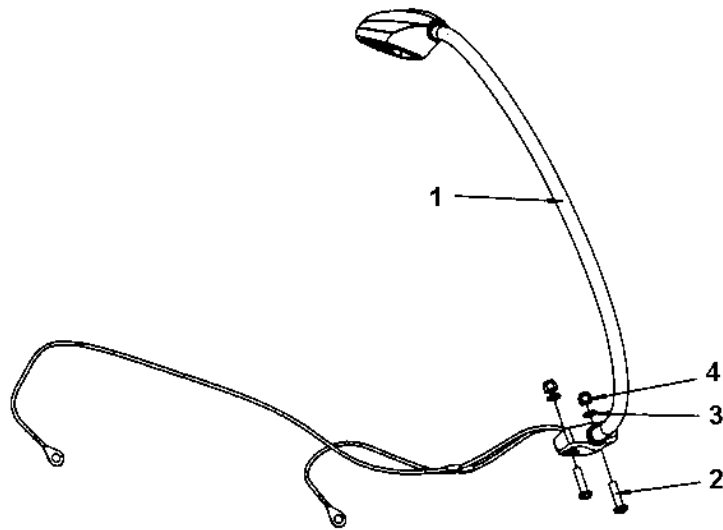
**Seat belt 3" with reminder**



**Seat belt 3" with reminder**

<b>Item</b>	<b>Part No</b>	<b>Rem Qty</b>	<b>Description</b>	<b>Code</b>
1	4812118816	1	Seat belt 3"	
2	4700791572	1	Spacer washer	
3	4700904703	4	Steel plain washer	
4	4700792527	1	Screw	
5	4700928347	2	Hexagon screw	
7	4700792441	1	Cable tie with holder	
8	4812117925	1	Buckle with reminder	

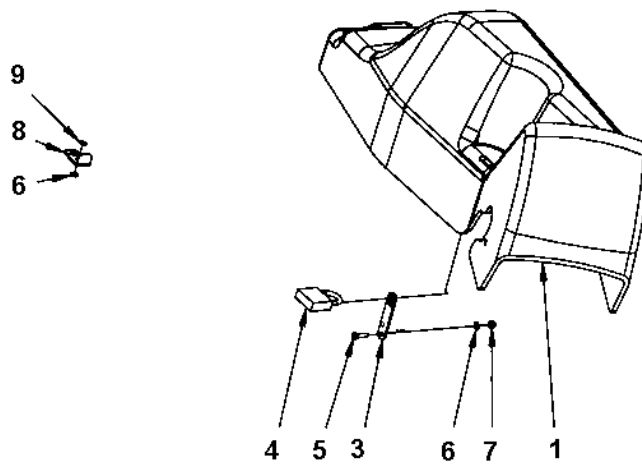
**Reading light**



Reading light

Item	Part No	Rem Qty	Description	Code
1	4700397604	1	Reading lamp	
2	4700791421	2	Machine screw	
3	4700904281	2	Washer 5,3x10x1 300HV	
4	4700586001	2	Lock nut	

**Control panel cover**

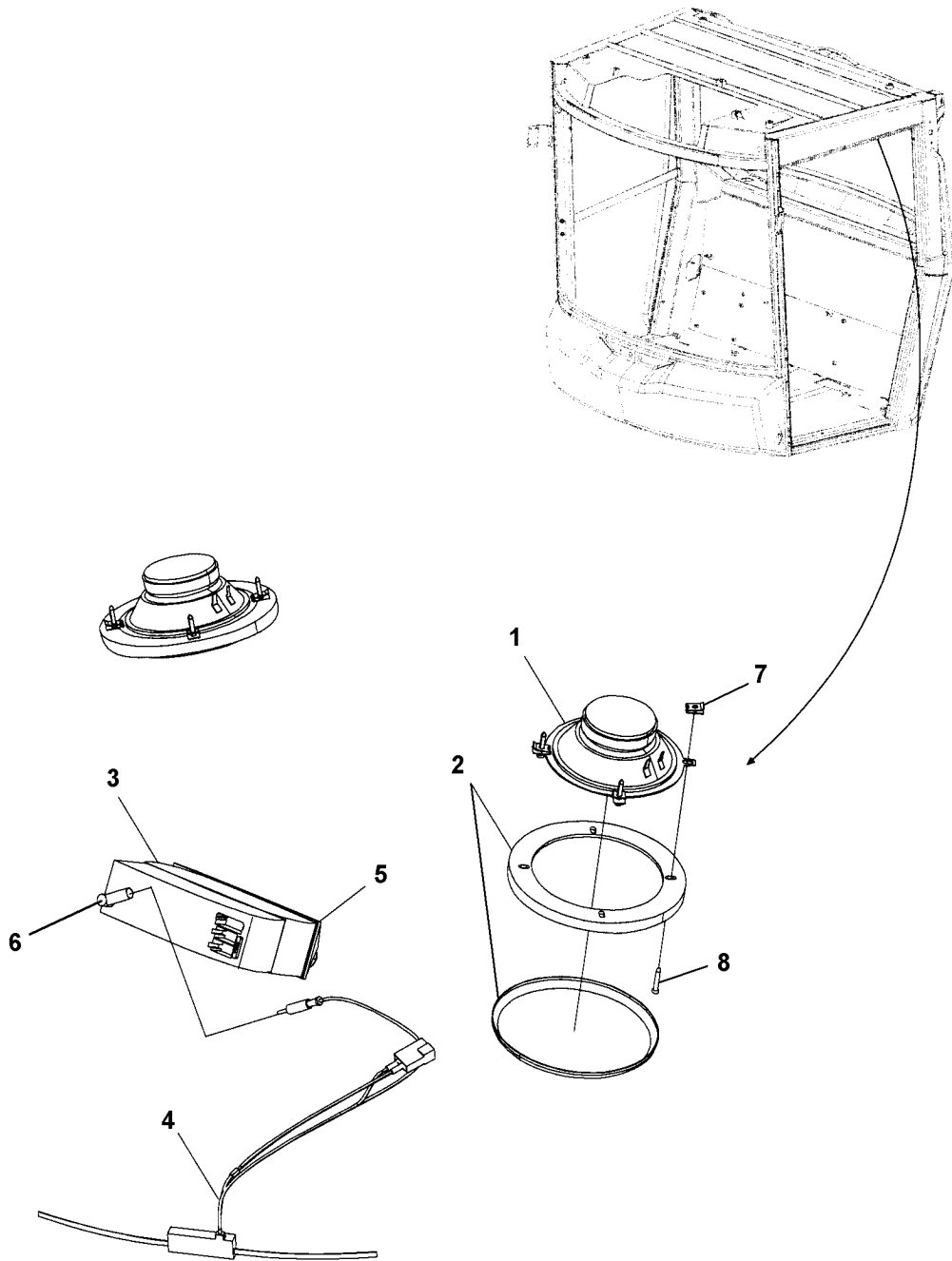




**Control panel cover**

<b>Item</b>	<b>Part No</b>	<b>Rem Qty</b>	<b>Description</b>	<b>Code</b>
1	4700395947	1	Instrument panel cover	
3	4700387545	1	Latch	
4	4700358881	1	Pad lock	
5	4700904653	2	Screw M5x16 A2-70	
6	4700904281	4	Washer 5,3x10x1 300HV	
7	4700586001	2	Lock nut	
8	4700396670	1	Bracket	
9	4700904619	2	Blind rivet	

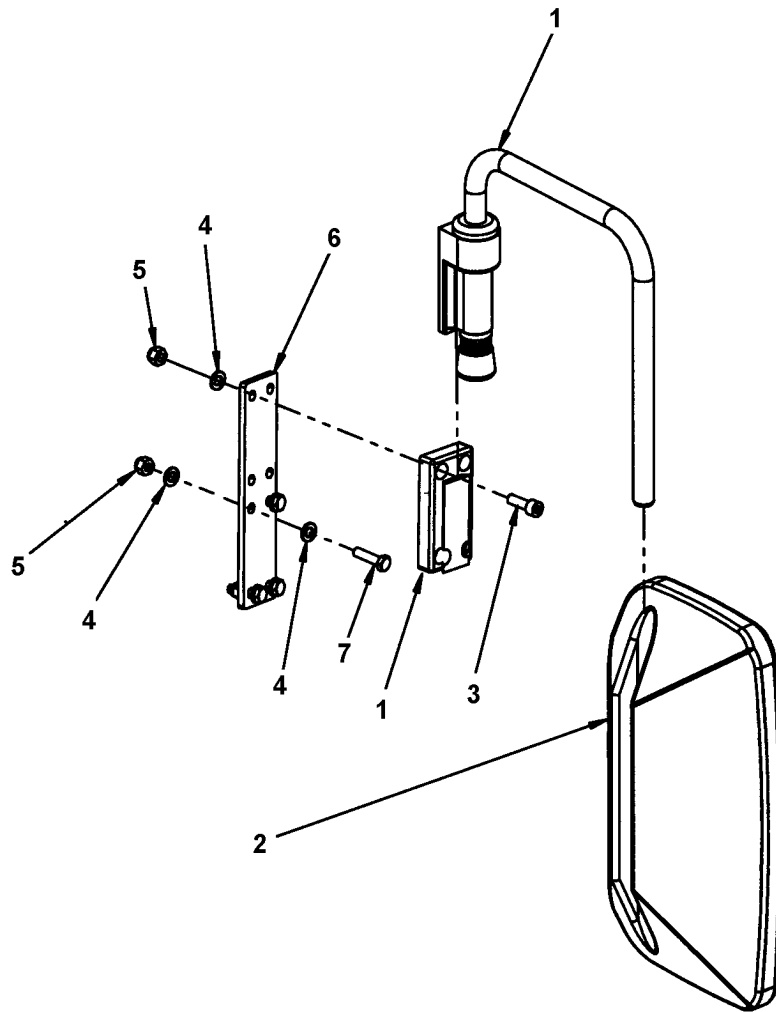
Car stereo module, option



**Car stereo module, option**

<b>Item</b>	<b>Part No</b>	<b>Rem Qty</b>	<b>Description</b>	<b>Code</b>
1	4811000268	2	Loud speaker	
2	4811000269	2	Loud speaker cover	
3	4811000265	1	Car stereo	
4	4812114194	1	Antenna	
5	4812116986	1	Spacer frame	
6	4812119306	1	Antenna adapter	
7	4700791970	8	Speed nut	
8	4812119327	8	Tapping screw	

Rear view mirror

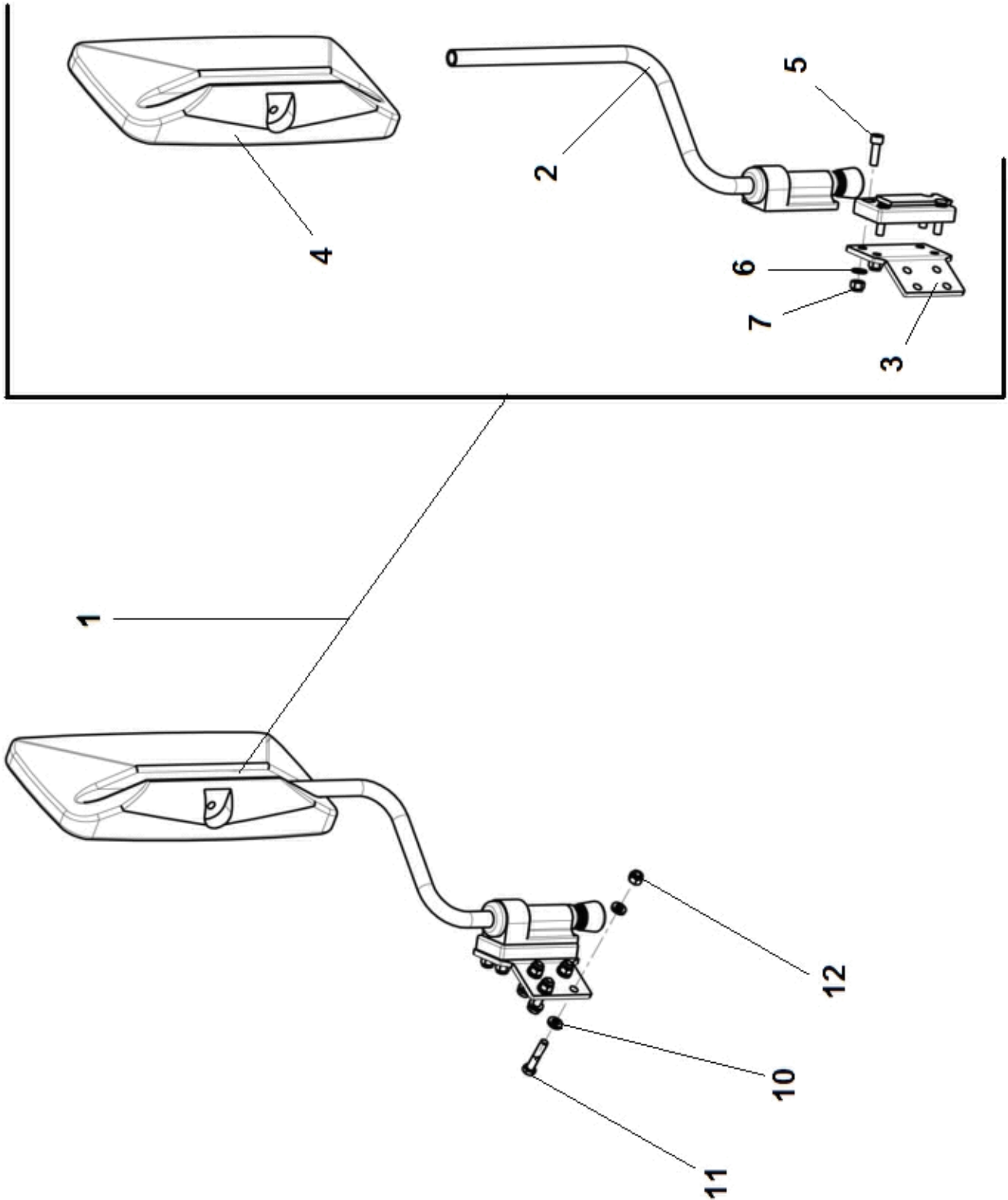


**Rear view mirror**

<b>Item</b>	<b>Part No</b>	<b>Rem</b>	<b>Qty</b>	<b>Description</b>	<b>Code</b>
1	4812110367		1	Bracket	
2	4700381943		1	Mirror	
3	4700508019		4	Screw M8x25 8.8	
4	4700904229		12	Steel plain washer 8,4x16x1,5	
5	4700586003		12	Lock nut M8	
6	4812117964	A	1	Bracket	
7	4700500022		4	Screw M8x30H 8.8	

A) Not used on all models.

Rear view mirror module

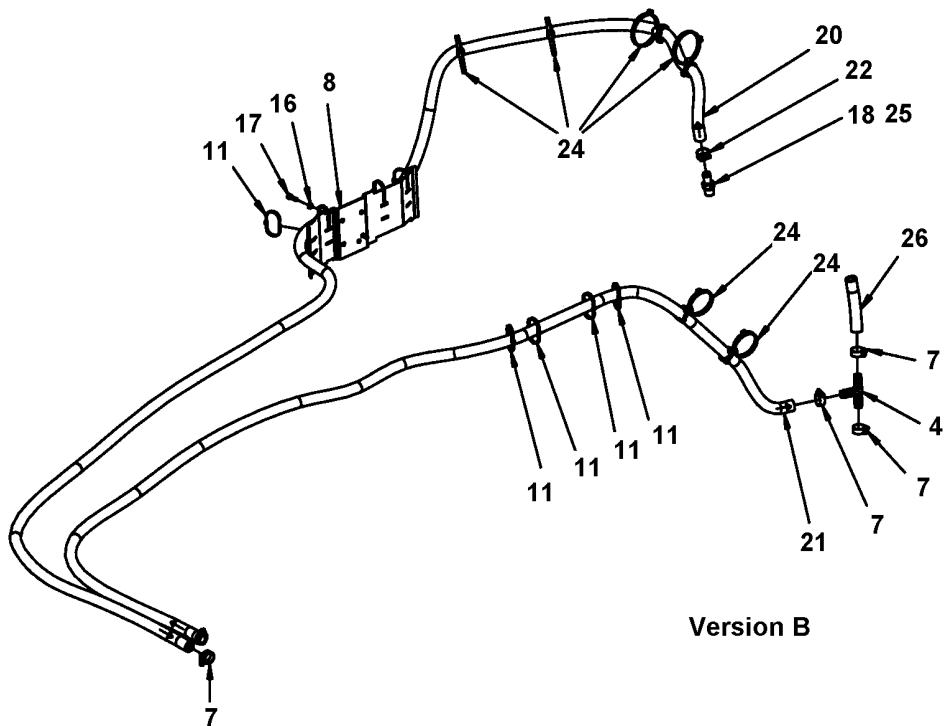
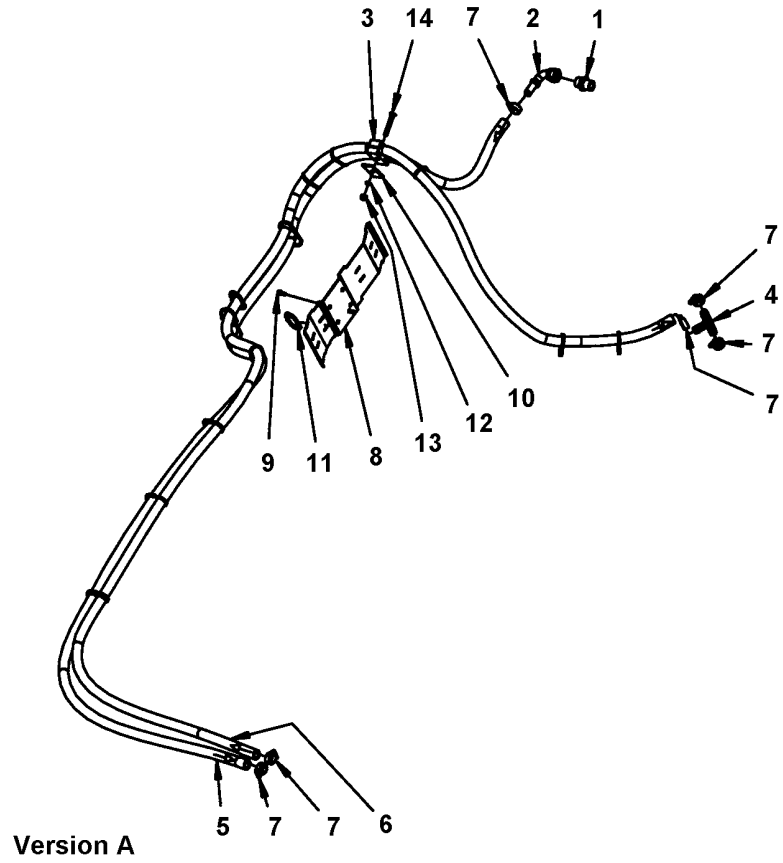


## Rear view mirror module

Item	Part No	Rem Qty	Description	Code
1	4812110352	1	Mirror assy	
2	4700381944	1	. Mirror bracket	
3	4700392316	1	. Bracket	
4	4700381943	1	. Mirror	
5	4700508019	4	. Screw M8x25 8.8	
6	4700904229	4	. Steel plain washer 8,4x16x1,5	
7	4700586003	4	. Lock nut M8	
10	4700904556	8	Washer 8,4x16x3,0	
11	4700500024	A	Screw M8x45	
12	4700586003	4	Lock nut M8	
13	4700500025	B	Screw M8-1,25x50 8,8	
14	4700500067	C	Screw M8-1,25x55 8,8	

- A) Used on machines with Handrails.  
B) Used on machines with Handrails and Canopy.  
C) Used on machines with Handrails, Canopy and additional Work lights.

Heater hoses





**Heater hoses**

Item	Part No	Rem	Qty	Description	Code
1	4811000531		1	Straight connector orfs	
2	4812115019		1	Hose connection	
3	4700287295		1	Clamp	
4	4700792065		1	Hose connection	
5	4700205112	A	1XL	Coolant hose	
6	4700205112	B	1XL	Coolant hose	
7	4700313004		6	Hose clamp 19-29mm	
	4700313003		6	Hose clamp 15-25mm	
8	4812114212		1	Bracket	
9	4700508002		2	Screw M6x16	
10	4700287294		1	Cover plate	
11	4700313041		N	Cable ties L=200 mm	
12	4700904229		1	Steel plain washer 8,4x16x1,5	
13	4700586003		1	Lock nut M8	
14	4700903732		1	Screw	
16	4700603010		2	Washer 6,4X12X3	
17	4700508025		2	Screw M6x20	
18	4700387638		1	Hose connection	
20	4700205112	C	1XL	Coolant hose	
21	4700205112	D	1XL	Coolant hose	
24	4812117248		6	Cable tie with holder	
25	4700901141		N	Loctite	
26		E	1	Hose	

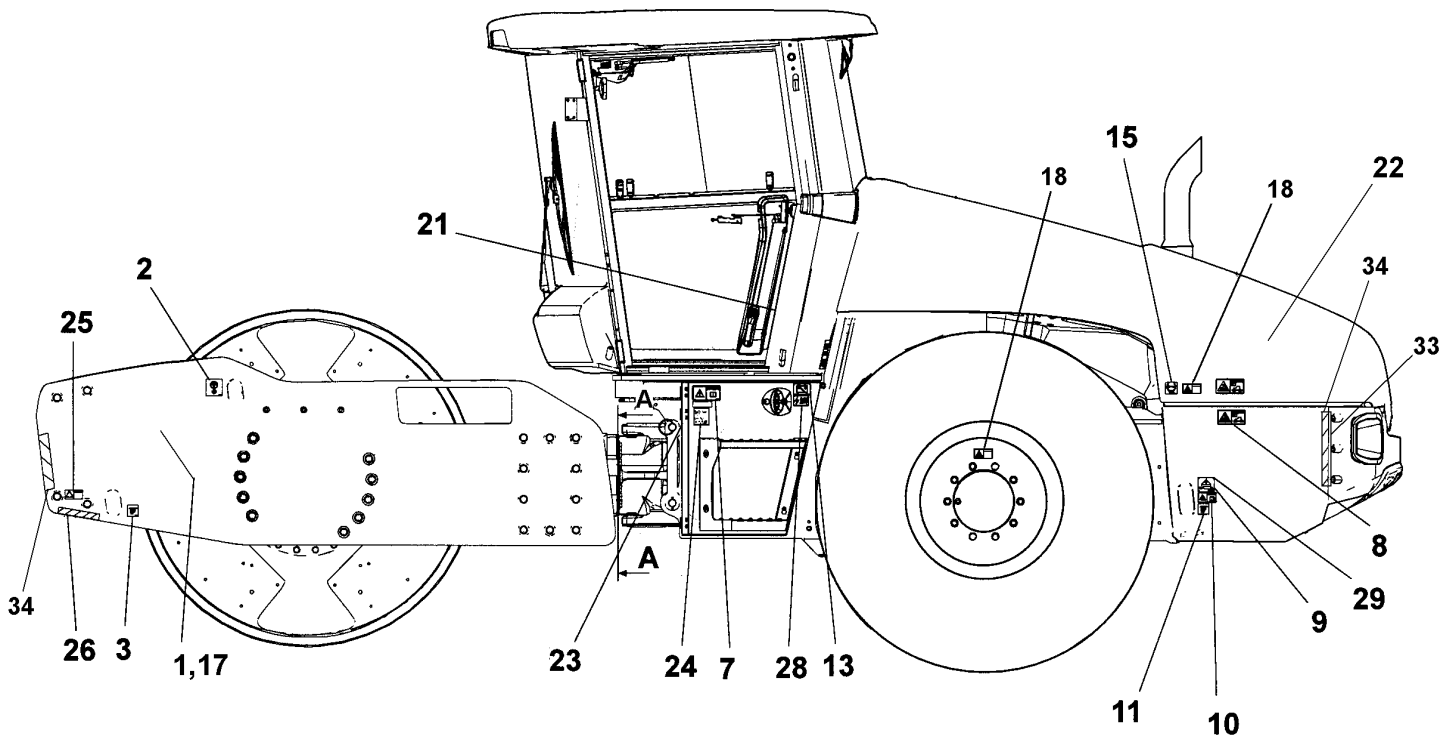
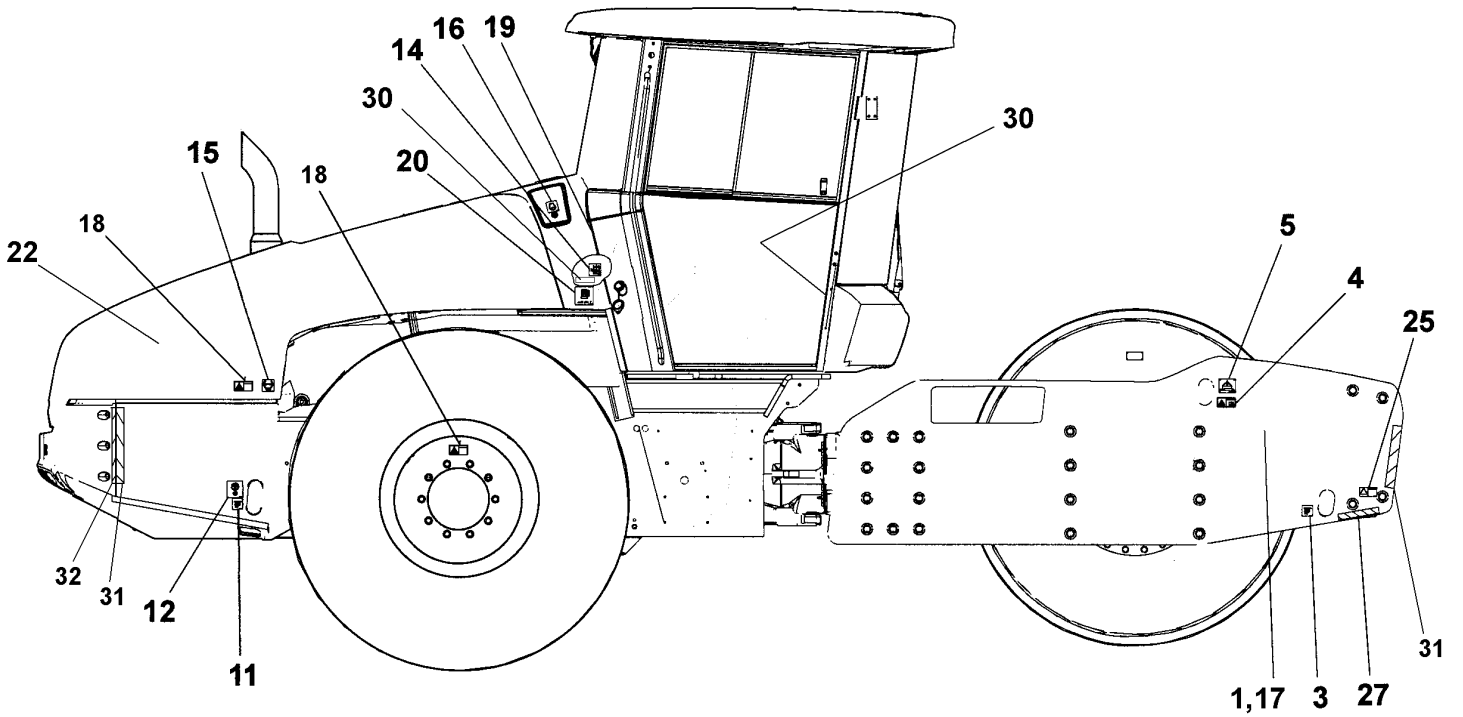
- A) L = 3.33m
- B) L = 3.96m
- C) L = 3.7m
- D) L = 2.8m
- E) Existing hose from engine installation.

Decals

Decals

Item	Part No	Rem Qty	Description	Code
1		1	Decals ( Page 510 )	
2		1	Decals ( Page 512 )	

Decals



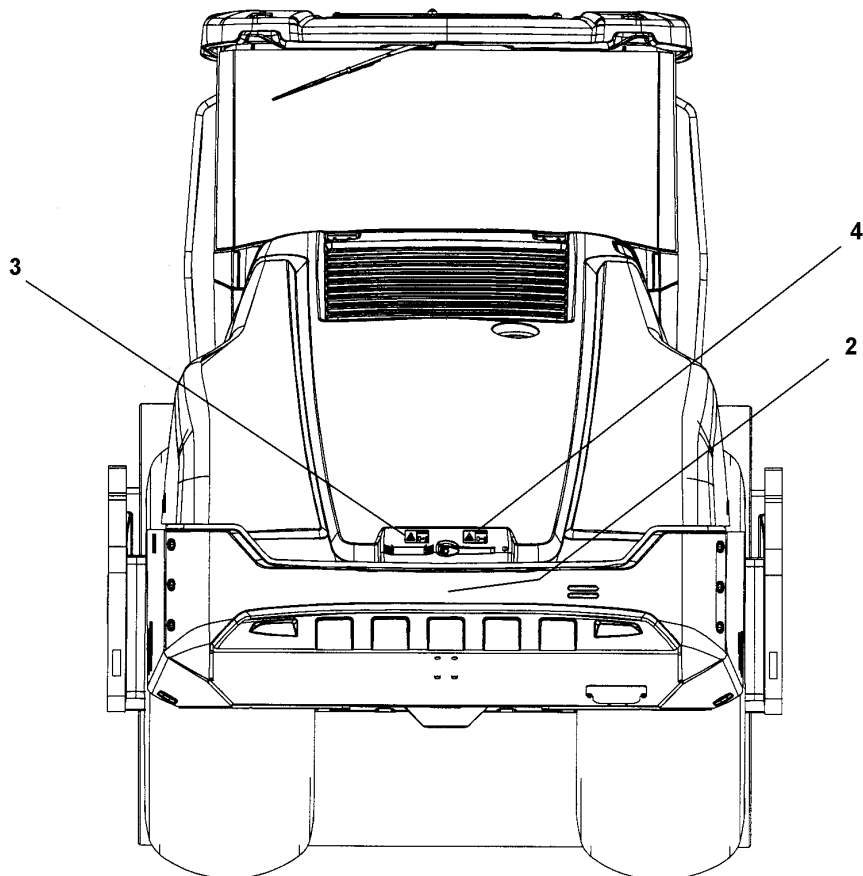
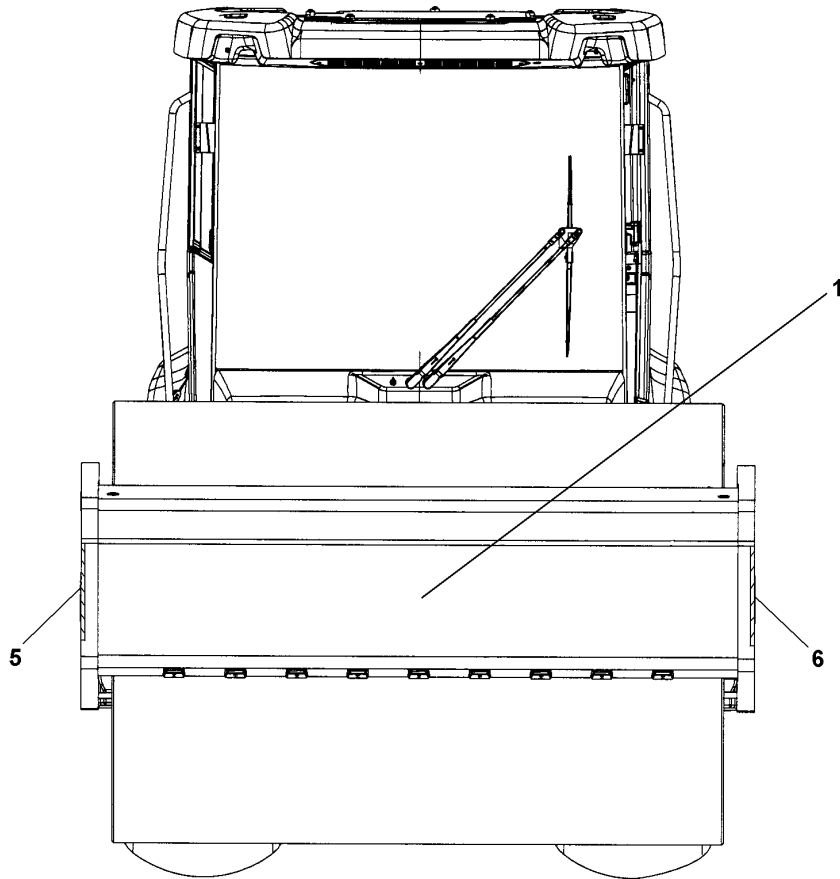
A - A

Decals

Item	Part No	Rem Qty	Description	Code
1	4812120100	1	Decal "COMPACTING ROCKS" Right	
	4812120101	1	Decal "COMPACTING ROCKS" Left	
2	4700588176	1	Decal "LIFT POINT"	
3	4700382751	2	Decal "TIE DOWN POINT"	
4	4700908229	1	Safety decal	
5	4700904870	1	Lifting sign	
	4700624005	4	Blind rivet 3,2x6,1	
6	4700903422	2	Decal "SAFETY"	
7	4700903459	1	Decal "SAFETY"	
8	4700904895	1	Safety decal "Brake release"	
9	4700904870	1	Lifting sign	
10	4700908229	1	Safety decal	
11	4700382751	2	Decal "TIE DOWN POINT"	
12	4700588176	1	Decal "LIFT POINT"	
13	4700904835	1	Decal "BATTERY POWER"	
14	4700272373	1	Decal "HYDRAULIC OIL"	
15	4700390900	A,B	Decal "TYRE PRESSURE" 110kPa/16psi	
	4700355983	C	Decal "TYRE PRESSURE" 200kPa/29psi	
16	4700388449	1	Decal "COOLING LEVEL"	
17	4812120441	2	Decal "MODEL CODE" CA4000	
	4812120115	2	Decal "MODEL CODE" CA3500	
	4812120437	2	Decal "MODEL CODE" CA2500	
	4812120439	2	Decal "MODEL CODE" CA2800	
18	4700903985	4	Decal "SAFETY", "TYRE IN BALLAST"	
19	4700272372	1	Decal "HYDRAULIC OIL"	
	4700792772	1	Decal "BIO HYDRAULIC OIL" PANOLIN	
20	4811000345	1	Decal "ULTRA LOW SULFUR FUEL ONLY"	
21	4700903425	1	Decal "SAFETY MANUAL"	
22	4812120306	2	Decal "AC logotype" Black, H=190	
23		1	Product identification plate	
24	4700791273	1	Decal "Sound power level" 103 dB	
28	4700393959	1	Decal "24V"	
29	4700624005	4	Blind rivet 3,2x6,1	
30	4811000344	2	Decal "LOW SULFUR"	
31	4700904390	2	Decal "Risk location"	
32	4700904389	1	Decal "Risk location"	
33	4700904391	1	Decal "Risk location"	
34	4700904388	2	Decal "Risk location"	

- A) All weather wheel.
- B) Tractor wheel.
- C) Premium wheel.

Decals



**Decals**

<b>Item</b>	<b>Part No</b>	<b>Rem Qty</b>	<b>Description</b>	<b>Code</b>
1	4812120306	1	Decal "AC logotype" Black, H=190	
2	4812120122	1	Decal "AC logotype" White, H=190	
3	4700903423	1	Decal "SAFETY"	
4	4700903424	1	Decal "HOT SURFACE"	
5	4700904389	1	Decal "Risk location"	
6	4700904391	1	Decal "Risk location"	

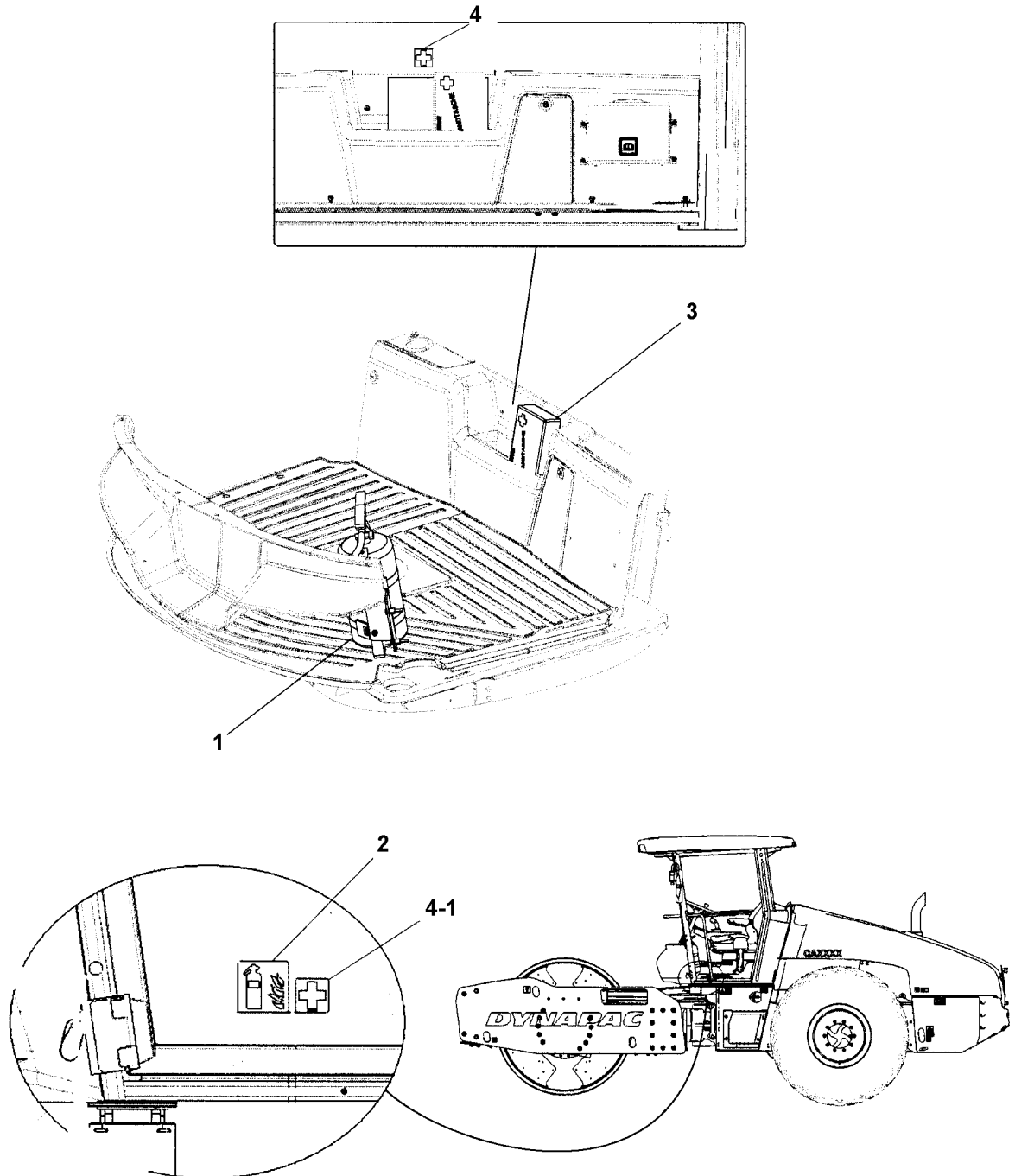
## Optional equipment



Optional equipment

Item	Part No	Rem Qty	Description	Code
1		1	Fire extinguisher/First Aid Cushion ( Page 516 )	
2		1	Level sensor module, option ( Page 520 )	
3		1	SMV-sign ( Page 522 )	
4		1	Air conditioning ( Page 524 )	
5		1	Cooling box module ( Page 544 )	
6		1	Lunch box ( Page 546 )	

Fire extinguisher/First Aid Cushion

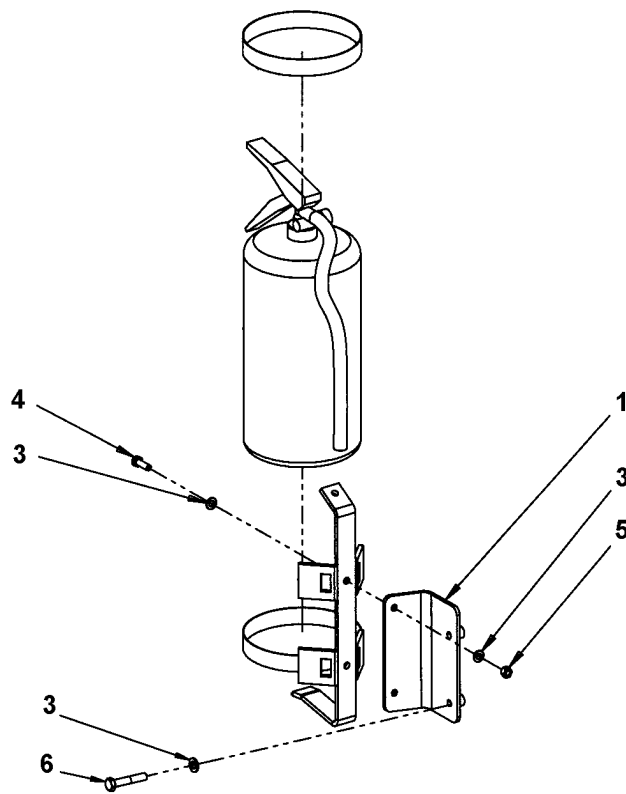


**Fire extinguisher/First Aid Cushion**

Item	Part No	Rem	Qty	Description	Code
1			1	<b>Fire extinguisher ( Page 518 )</b>	
2	4700792634	A	1	. Decal fire extinguisher	
3	4700394395		1	First aid cushion	
4	4700902509	B	1	Decal	
4-1	4700902509	A	1	Decal	

- A) Location on cab.
- B) Location on platform.

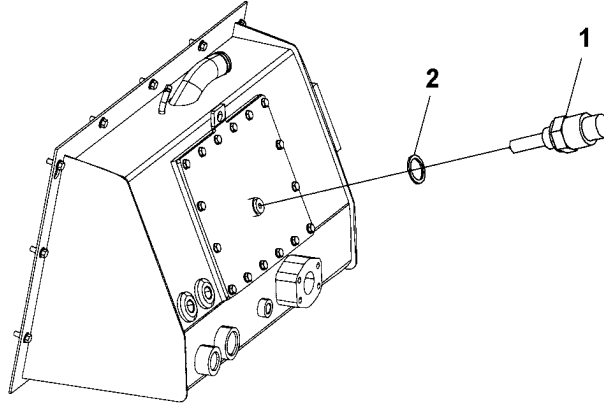
Fire extinguisher



**Fire extinguisher**

<b>Item</b>	<b>Part No</b>	<b>Rem Qty</b>	<b>Description</b>	<b>Code</b>
1	4812114804	1	Bracket	
3	4700904229	6	Steel plain washer 8,4x16x1,5	
4	4700500021	2	Screw M8-1,25x25 8.8	
5	4700570005	2	Nut M8	
6	4700500024	2	Screw M8x45	

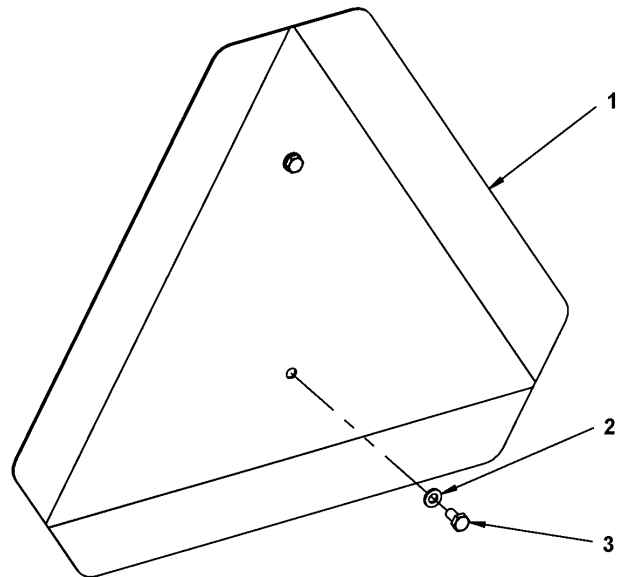
**Level sensor module, option**



Level sensor module, option

Item	Part No	Rem Qty	Description	Code
1	4812112423	1	Level sensor	
2	4700330331	1	Plain washer of copper	

SMV-sign

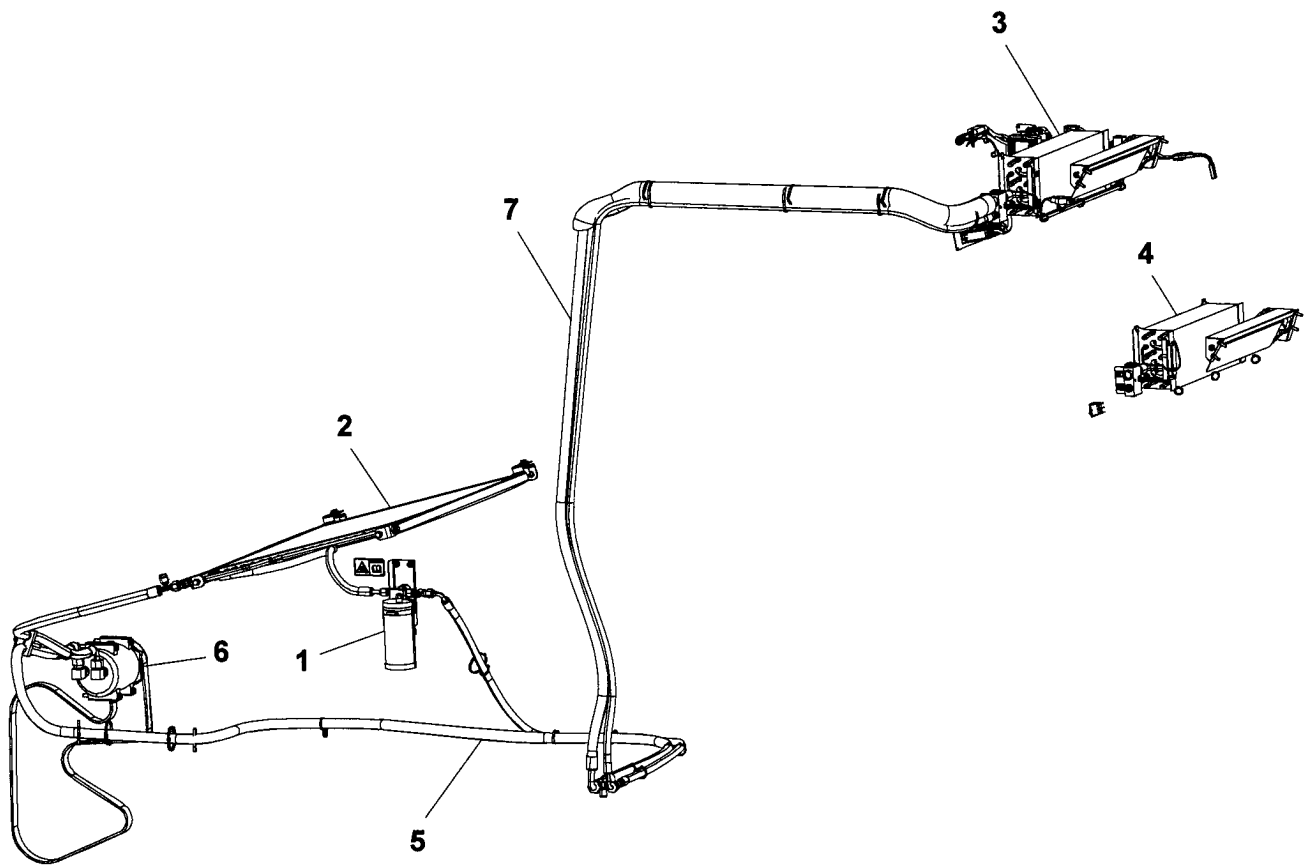




**SMV-sign**

<b>Item</b>	<b>Part No</b>	<b>Rem Qty</b>	<b>Description</b>	<b>Code</b>
1	4700476019	1	SMV-sign	
2	4700904228	2	Washer 6,4x12x1,5	
3	4700500012	2	Screw M6x12	

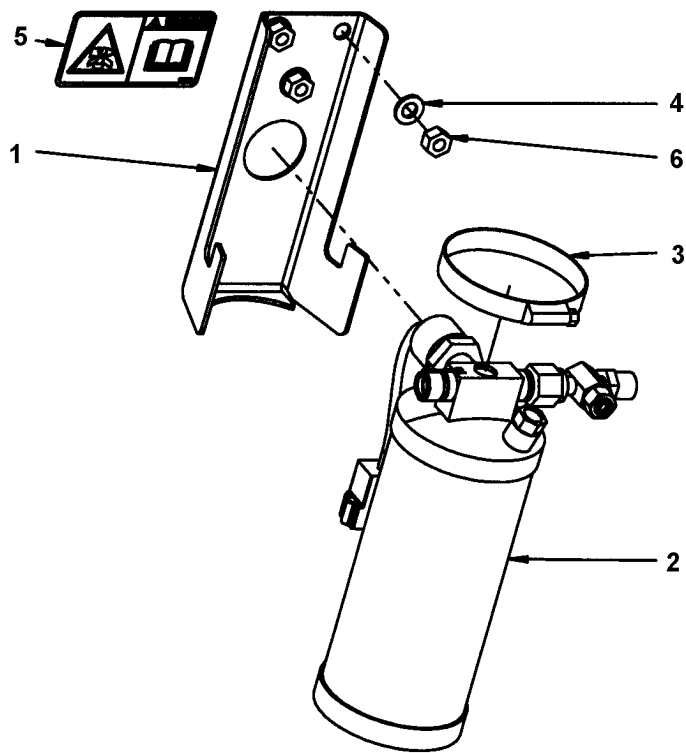
**Air conditioning**



Air conditioning

Item	Part No	Rem Qty	Description	Code
1		1	Drying filter module ( Page 526 )	
2		1	Condensor assembly ( Page 530 )	
3		1	ACC module ( Page 532 )	
4		1	AC module ( Page 536 )	
5		1	Hose kit AC ( Page 538 )	
6		1	Compressor module ( Page 540 )	
7		1	Hose assy kit for AC ( Page 542 )	

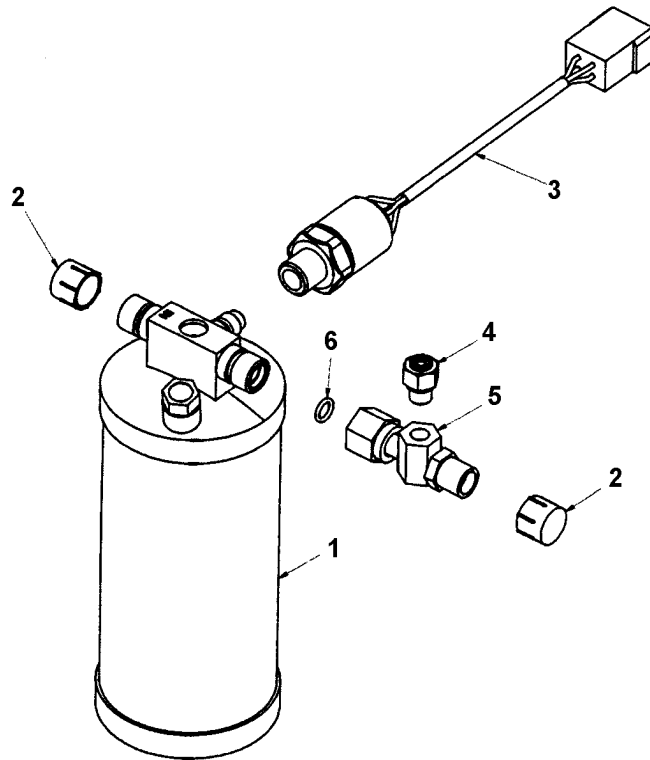
**Drying filter module**



## Drying filter module

Item	Part No	Rem Qty	Description	Code
1	4812111311	1	Bracket	
2	4812114257	1	<b>Drying filter assy ( Page 528 )</b>	
3	4700313022	1	Hose clamp	
4	4700904229	3	Steel plain washer 8,4x16x1,5	
5	4700904165	1	Safety decal Toxic gases	
6	4700570005	3	Nut M8	

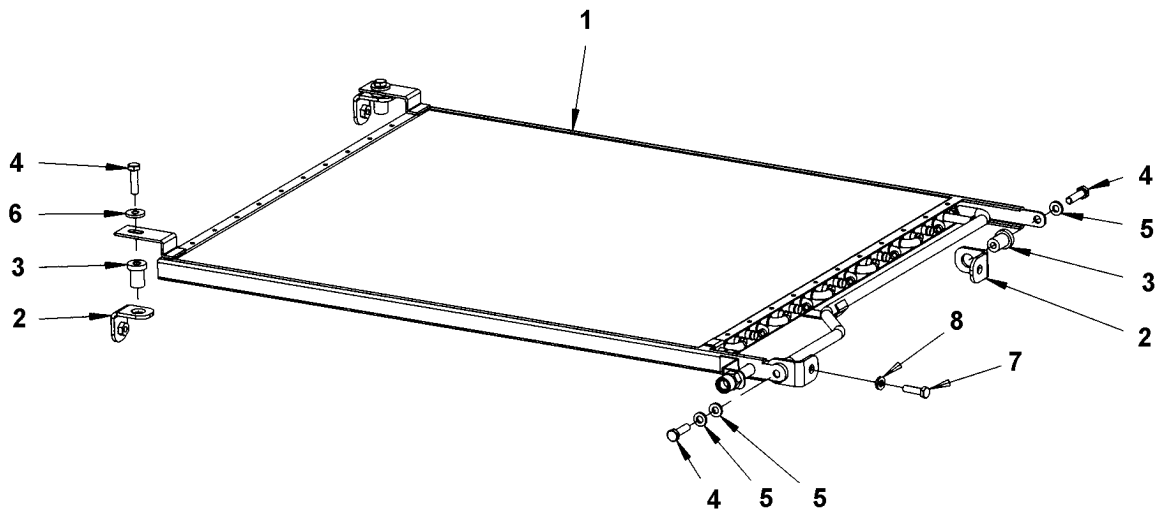
4812114257 Drying filter assy



**4812114257 Drying filter assy**

<b>Item</b>	<b>Part No</b>	<b>Rem Qty</b>	<b>Description</b>	<b>Code</b>
1	4812113083	1	Drying filter	
2		2	Plastic cap	
3	4812113245	1	Pressure switch	
4	4812114245	1	Pressure relief valve	
5	4812114246	1	Adapter	
6		1	O-ring	

Condensator assembly

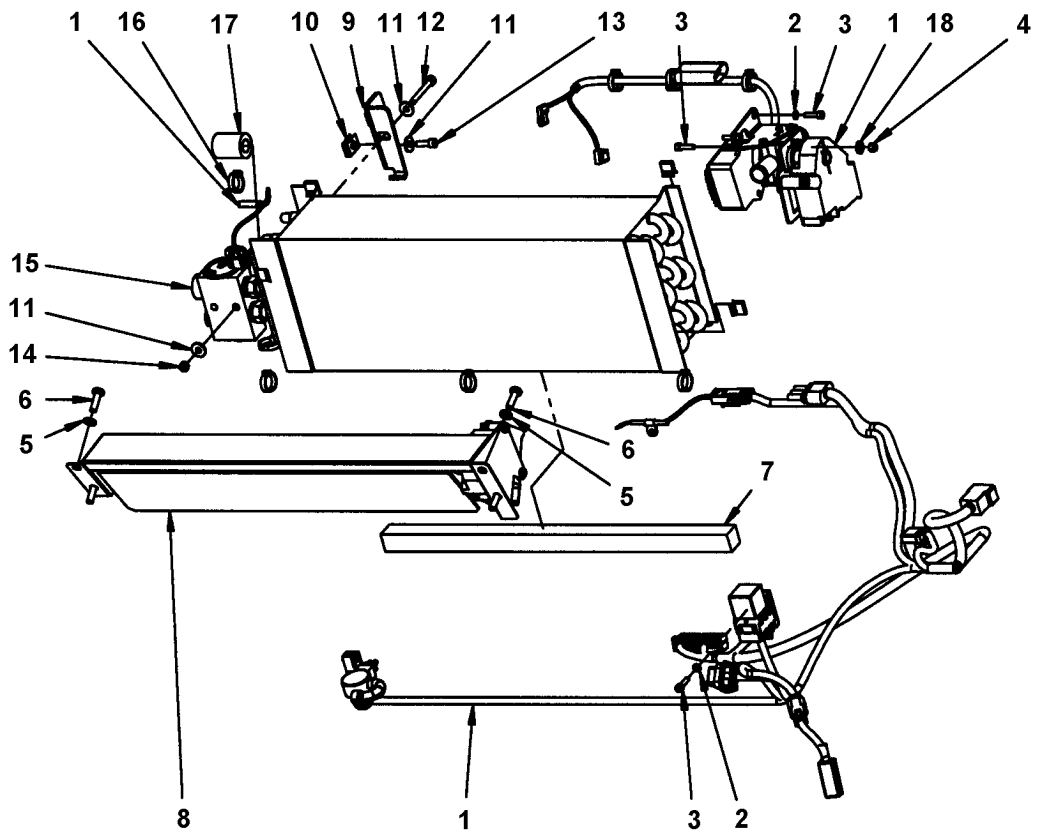




**Condensor assembly**

<b>Item</b>	<b>Part No</b>	<b>Rem Qty</b>	<b>Description</b>	<b>Code</b>
1	4812113032	1	Condensor	
2	4812113025	4	Bracket	
3	4812113177	4	Rubber nut	
4	4700500022	4	Screw M8x30H 8.8	
5	4700904556	3	Washer 8,4x16x3,0	
6	4700904640	2	Washer 8,4x22x3	
7	4700500022	4	Screw M8x30H 8.8	
8	4700904556	4	Washer 8,4x16x3,0	

ACC module

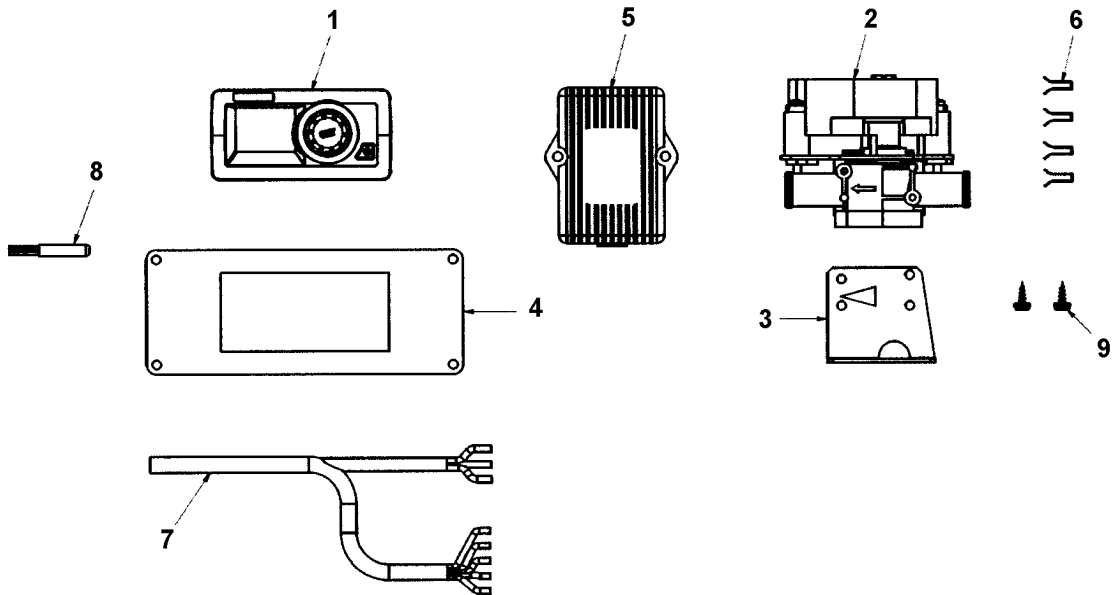


## ACC module

Item	Part No	Rem	Qty	Description	Code
1	4812113624		1	<b>ACC kit ( Page 534 )</b>	
2	4700904698		3	Washer 4,3x8x0,8	
3	4700508022		4	Screw M4x16	
4	4700923976		1	Nut	
5	4700904228		4	Washer 6,4x12x1,5	
6	4700500040		4	Screw M6-1x20 8,8	
7	4700792718		1	Foam rubber	
8	4812115013		1	Air intake	
9	4812114311		1	Bracket	
10	4811000458		2	Speed nut	
11	4700601001		4	Washer	
12	4700508099		1	Screw	
13	4700926537		2	Screw M5-0,8x16H 8,8	
14	4700570003		1	Nut M5	
15	4812113623		1	Vaporizer	
16	4700313041		10	Cable ties L=200 mm	
17	4812117349	A	1XL	Cork tape	
18	4700904299		1	Washer	

A) L = 0.5m

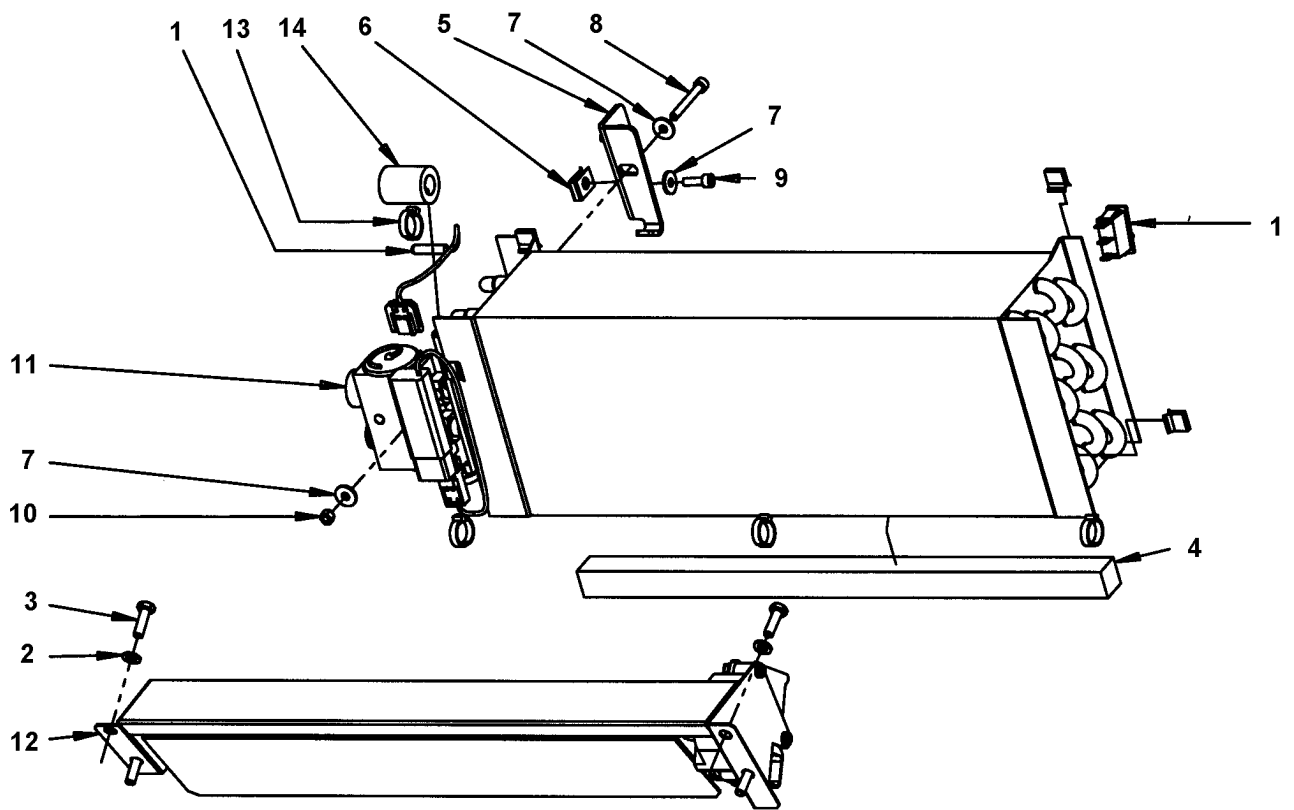
ACC kit



ACC kit

Item	Part No	Rem Qty	Description	Code
1	4812158289	1	Micro ECC	
2	4700383425	1	Electronic valve	
3		1	Bracket	
4		1	Panel	
5	4812158290	1	Blower control	
6		4	Clip	
7	4812158291	1	Cable harness	
8	4812158292	1	Deicing sensor	
9		2	Screw	

AC module

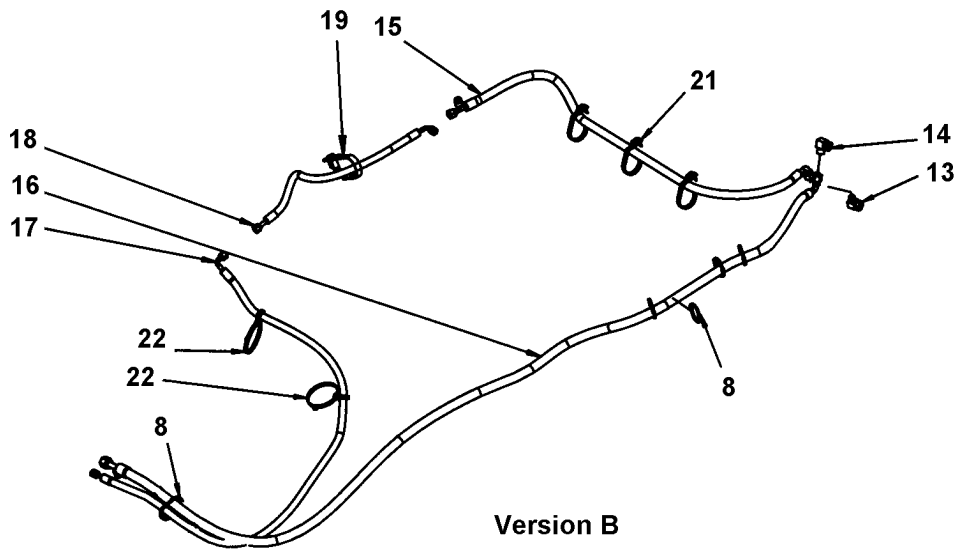
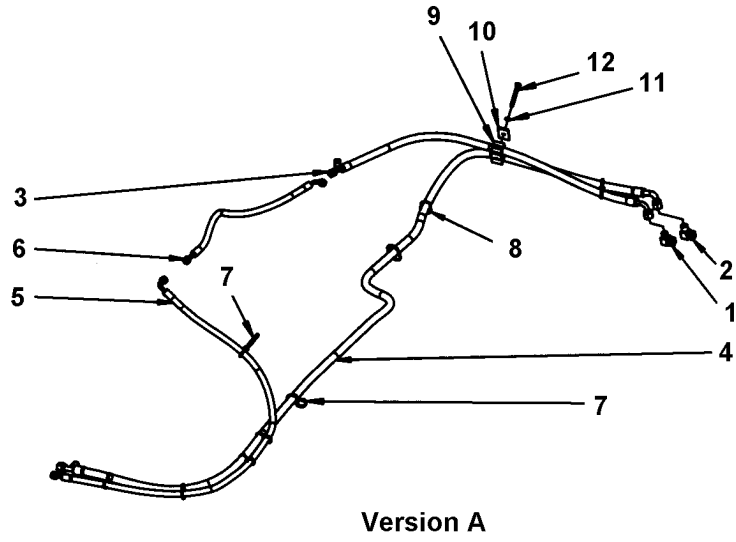


**AC module**

<b>Item</b>	<b>Part No</b>	<b>Rem</b>	<b>Qty</b>	<b>Description</b>	<b>Code</b>
1	4812113622		1	Ac kit	
	4700950348		1	. Switch, air condition	
	4812158481		1	. Switch, flapper	
	4812158482		1	. Thermostat	
2	4700904228		4	Washer 6,4x12x1,5	
3	4700500040		4	Screw M6-1x20 8,8	
4	4700792718		1	Foam rubber	
5	4812114311		1	Bracket	
6	4811000458		2	Speed nut	
7	4700601001		4	Washer	
8	4700508099		1	Screw	
9	4700926537		2	Screw M5-0,8x16H 8,8	
10	4700570003		1	Nut M5	
11	4812113623		1	Vaporizer	
12	4812115013		1	Air intake	
13	4700313041		10	Cable ties L=200 mm	
14	4812117349	A	1XL	Cork tape	

A) L = 0.5m

Hose kit AC

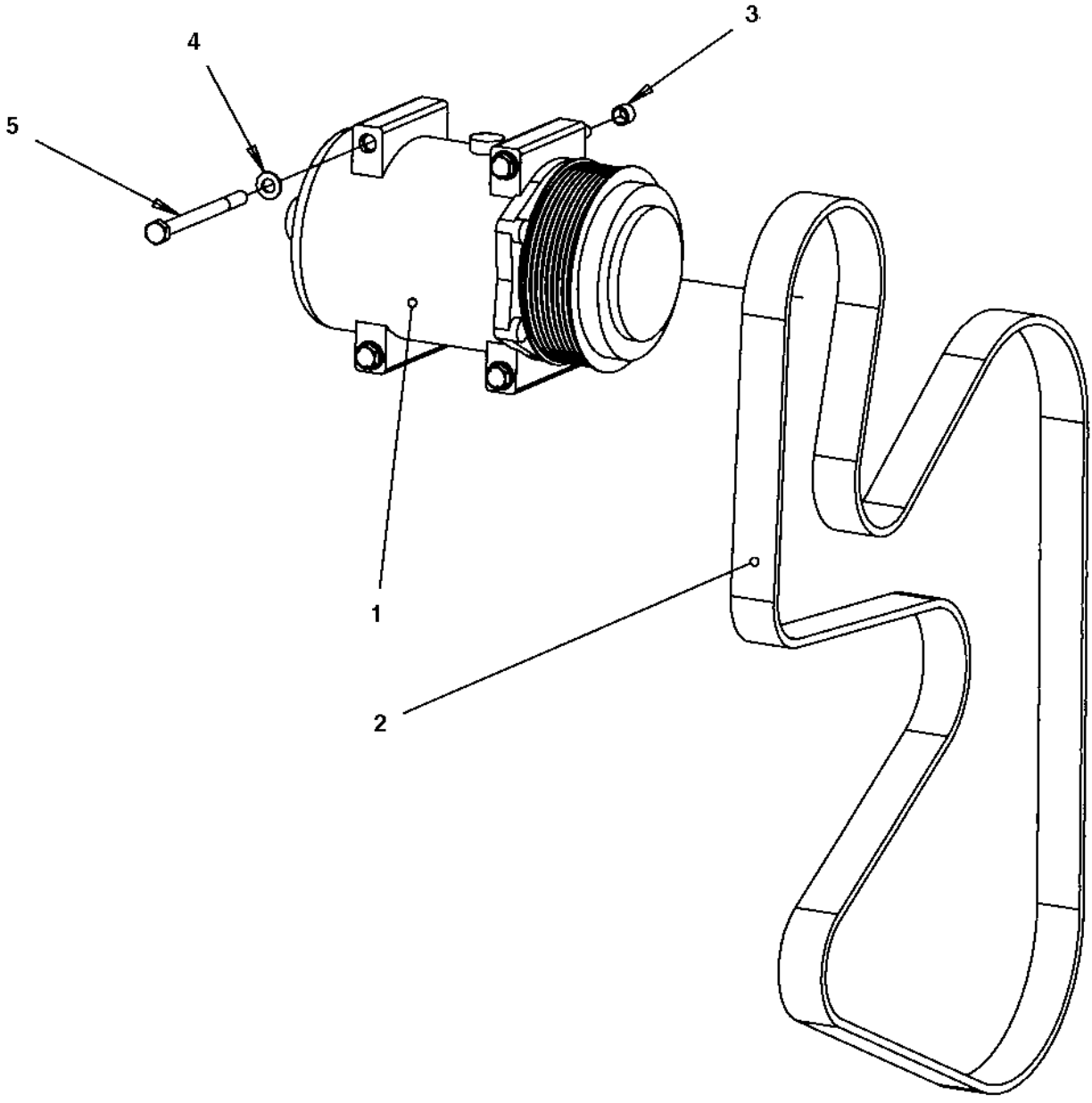




**Hose kit AC**

<b>Item</b>	<b>Part No</b>	<b>Rem Qty</b>	<b>Description</b>	<b>Code</b>
1	4700394705	1	Refrigerant fitting	
2	4700394706	1	Refrigerant fitting	
3	4812114123	1	Refrigerant hose	
4	4812114124	1	Refrigerant hose	
5	4812113491	1	Refrigerant hose	
6	4812113492	1	Refrigerant hose	
7	4700792686	N	Cable tie with holder	
8	4700313041	N	Cable ties L=200 mm	
9	4700287295	1	Clamp	
10	4700287294	1	Cover plate	
11	4700904229	1	Steel plain washer 8,4x16x1,5	
12	4700500068	1	Screw M08x65	
13	4700394705	1	Refrigerant fitting	
14	4700394706	1	Refrigerant fitting	
15	4812118215	1	Refrigerant hose	
16	4812118216	1	Refrigerant hose	
17	4812113491	1	Refrigerant hose	
18	4812113492	1	Refrigerant hose	
19	4812115835	1	Cable tie	
21	4812115836	3	Cable tie	
22	4812117248	2	Cable tie with holder	

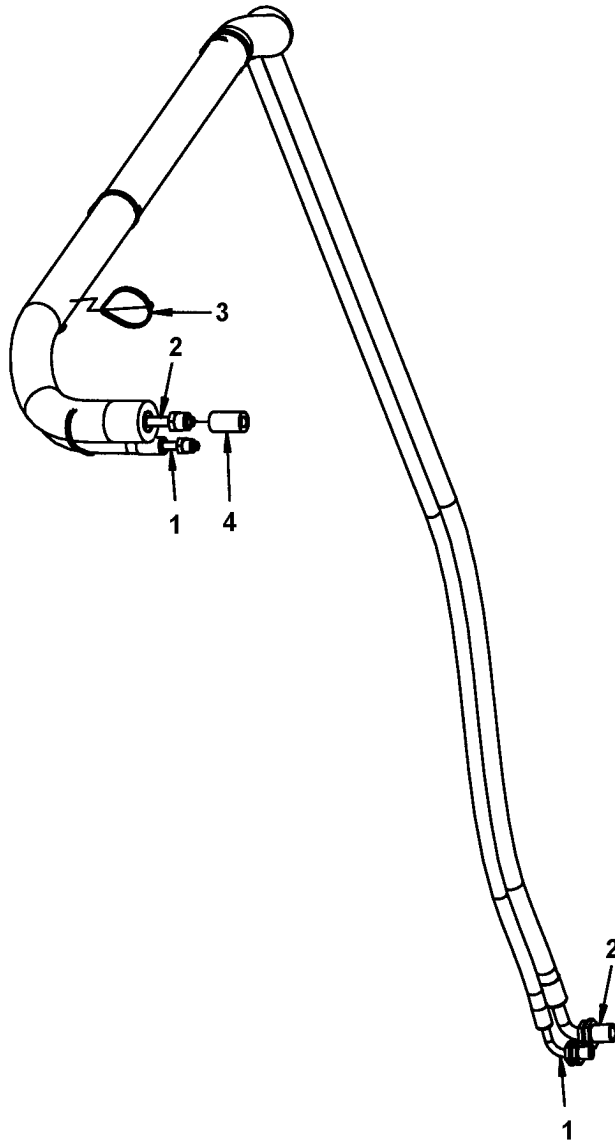
**Compressor module**



**Compressor module**

<b>Item</b>	<b>Part No</b>	<b>Rem Qty</b>	<b>Description</b>	<b>Code</b>
1	4700391621	1	Compressor	
2	4700391622	1	Belt	
3	4700945314	2	Guide ring	
4	4700904229	4	Steel plain washer 8,4x16x1,5	
5	4700500096	4	Screw	

**Hose assy kit for AC**

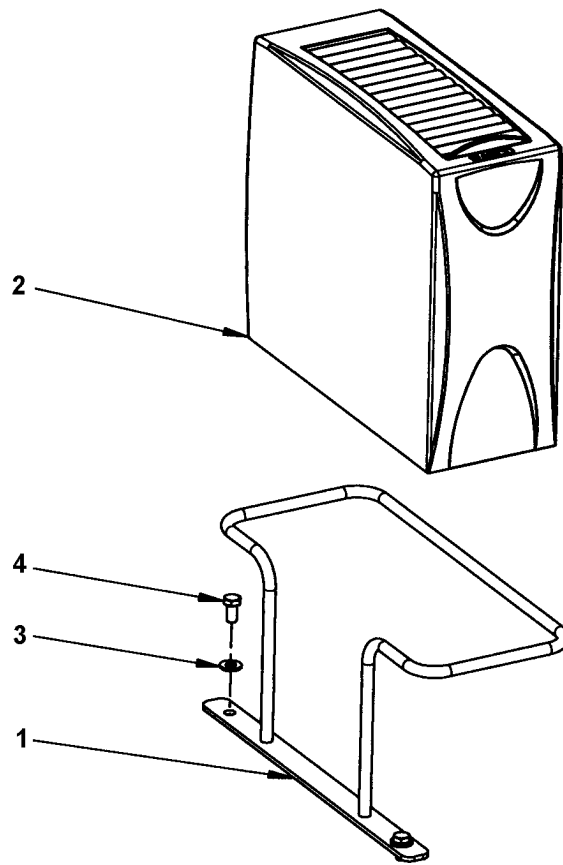


Hose assy kit for AC

Item	Part No	Rem	Qty	Description	Code
1	4812114931		1	Refrigerant hose	
2	4812114932		1	Refrigerant hose	
3	4700792609		7	Cable ties	
4	4812117349	A	1XL	Cork tape	

A) L = 0.2m

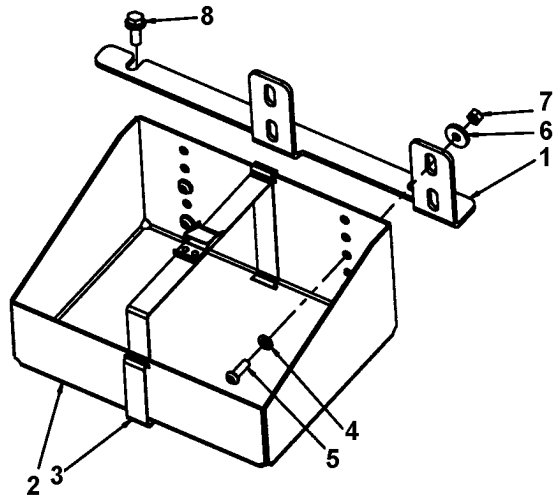
**Cooling box module**



**Cooling box module**

<b>Item</b>	<b>Part No</b>	<b>Rem Qty</b>	<b>Description</b>	<b>Code</b>
1	4812114742	1	Holder	
2	4812118842	1	Cooling box	
	4812160053	1	. Cable 12V	
3	4700904230	2	Steel plain washer	
4	4700500048	2	Screw M10-1,5x20 8,8	

**Lunch box**





## Lunch box

Item	Part No	Rem Qty	Description	Code
1	4812118893	1	Bracket	
2	4700377913	1	Box	
3	4700287643	1	Metal strapping	
4	4700904229	4	Steel plain washer 8,4x16x1,5	
5	4700904654	4	Screw	
6	4700904734	4	Washer 8,4x26x4	
7	4700570005	4	Nut M8	
8	4700500509	2	Hexagon screw with flange	



## NUMERICAL INDEX

Part Number	Page	Part Number	Page	Part Number	Page
0248998073	329	4700343744	97,99,101,103	4700388446	251
0291112842	37		105,107	4700388449	511
0570702503	253	4700343748	253	4700388737	485
0570704101	251	4700349682	85	4700389600	127
4700116041	29,93,101,103	4700349715	95	4700389857	55
4700150008	61	4700350009	469,477	4700390365	57
4700151023	37,55	4700355608	55,321	4700390561	481
4700160043	197,205,229,237	4700355797	353	4700390589	149
4700160105	29,93	4700355889	63	4700390591	149
4700160132	171,181,217,247	4700355983	511	4700390860	331
4700160191	253	4700357138	15,17,21,23,253	4700390896	27,97,99,101,103
4700160231	279,289	4700358254	417		105,107
4700160296	37	4700358881	57,63,499	4700390900	511
4700162004	121	4700359043	473	4700390926	253
4700162008	253	4700359125	473	4700390963	481
4700162017	97,99,101,103	4700359819	473	4700391031	37
	105,107	4700359916	469	4700391163	469,471
4700162027	97,99,101,103	4700359919	469	4700391299	123
	105,107	4700359920	469	4700391303	113
4700167023	29,93,101,103	4700359989	119,143	4700391396	485
4700202028	409,433,463	4700359998	405,419	4700391420	485
4700202057	55	4700372174	433	4700391621	541
4700205112	113,433,435,507	4700372597	145	4700391622	541
4700230384	113	4700372658	63	4700392075	123
4700230515	113	4700372672	469	4700392316	505
4700230516	113	4700372964	469	4700392321	389
4700232039	141,253	4700372965	469	4700392450	347
4700232041	35	4700374059	253	4700392451	347
4700232118	253	4700374799	75	4700392717	487
4700233304	141,253	4700374854	77	4700392719	487
4700272372	511	4700377507	439	4700392810	121
4700272373	511	4700377508	439	4700392839	469
4700283711	113	4700377518	481	4700392840	469
4700287294	113,507,539	4700377742	35,55	4700392930	485
4700287295	113,259,303,507	4700377744	55	4700392965	483
	539	4700377913	547	4700393094	487
4700287643	547	4700378712	127	4700393335	149
4700313001	139,145,253	4700379214	127	4700393496	483
4700313002	139	4700379480	113	4700393525	405,419
4700313003	507	4700379718	469	4700393959	511
4700313004	113,125,433,435	4700379728	473	4700394275	361
	507	4700380018	97,99,101,103	4700394276	361
4700313006	141		105,107	4700394395	517
4700313007	113	4700380436	131	4700394536	63
4700313009	253	4700381413	145	4700394542	363
4700313010	125	4700381943	503,505	4700394705	539
4700313022	527	4700381944	505	4700394706	539
4700313023	429	4700382383	79	4700395352	345,357
4700313033	135	4700382571	109	4700395383	473
4700313041	345,347,361,365	4700382572	109	4700395447	469
	371,377,385,435	4700382751	511	4700395785	135,485
	441,485,507,533	4700383024	123	4700395816	113
	537,539	4700383425	535	4700395841	439
4700313068	345,357	4700383705	417	4700395853	439
4700313094	143	4700383844	51	4700395888	363
4700330170	139	4700384114	85	4700395947	499
4700330171	139	4700384121	85	4700396041	383
4700330331	253,521	4700384584	417	4700396043	381
4700330383	113	4700385599	485	4700396044	381
4700335607	319,325	4700386966	121	4700396047	381
4700340863	95	4700387545	499	4700396048	381
4700343318	93,101,103	4700387638	507	4700396119	369

## NUMERICAL INDEX

Part Number	Page	Part Number	Page	Part Number	Page
4700396536	369	4700500079	381,397,433	4700570007	77
4700396601	379	4700500082	85,97,99,101,103	4700570008	361
4700396634	321		105,107,119	4700570015	109
4700396635	321	4700500090	299,301	4700570101	319,325
4700396662	485	4700500091	191	4700573008	473
4700396670	499	4700500093	197,205	4700582001	359
4700397604	497	4700500096	541	4700586001	355,371,383,485
4700475064	61	4700500102	41,43,279		497,499
4700476019	523	4700500107	119	4700586002	71,323,327,381
4700500002	373	4700500115	487		477,483,485,487
4700500003	381	4700500123	49	4700586003	69,141,301,321
4700500004	411,447,461	4700500133	93		323,327,385,469
4700500006	383	4700500161	35,45,55,191,297		487,503,505,507
4700500009	135	4700500163	97,99,101,103	4700586018	45,73,391
4700500010	355		105,107	4700586021	119
4700500012	337,341,433,437	4700500189	225,389	4700586022	109
	457,523	4700500191	191	4700588176	511
4700500013	35,141,253,311	4700500194	171,181,215,245	4700601001	355,371,411,447
	331,335,359,373		271		461,533,537
	429	4700500207	109	4700601003	409,429,431
4700500015	331,377	4700500239	55	4700603001	131
4700500018	311	4700500270	51	4700603010	121,507
4700500019	113,195,203,253	4700500284	35	4700604005	301
	299,311,323,327	4700500286	109	4700615050	73,77
	329,361,371	4700500501	311	4700615061	73
4700500021	73,113,117,127	4700500502	71,129	4700624005	511
	131,133,141,143	4700500505	253,485	4700624018	63
	261,265,301,345	4700500509	73,547	4700629064	35
	385,469,483,519	4700502036	113	4700630003	71
4700500022	77,119,169,181	4700502053	95	4700630008	473
	195,203,251,253	4700508001	379	4700747282	139
	299,401,475,503	4700508002	507	4700791120	141,253
	531	4700508014	283,293	4700791156	97,99,101,103
4700500023	301	4700508017	485		105,107
4700500024	133,143,505,519	4700508019	323,327,503,505	4700791171	457
4700500025	505	4700508022	533	4700791172	413
4700500026	311,361,371	4700508023	329	4700791175	149
4700500027	255	4700508025	131,507	4700791176	149
4700500028	35,37,59,169,195	4700508026	397	4700791182	429
	203,477,479	4700508027	477	4700791185	443
4700500029	131,259,477	4700508028	57	4700791212	299,301
4700500030	75,117,139,143	4700508029	469	4700791213	271
	169,171,197,205	4700508048	251,283,293	4700791231	229,237,247,255
4700500031	55,73,81	4700508053	113		283,293
4700500035	397	4700508060	283,293	4700791273	511
4700500037	123	4700508063	253	4700791304	383
4700500040	121,145,259,323	4700508080	279,289	4700791318	301
	327,363,533,537	4700508092	255,479	4700791396	35
4700500046	283,293,305,319	4700508099	533,537	4700791397	311
	325	4700513012	55,135	4700791405	253
4700500048	125,281,387,545	4700513017	57	4700791409	255
4700500051	85,113	4700513027	399	4700791414	215,227,235,245
4700500053	85,121,123,127	4700516025	113	4700791421	497
	253,259,303,383	4700516040	469	4700791431	113
	481	4700532032	113	4700791450	319,325
4700500056	119,143,405,419	4700541702	361	4700791453	397
4700500060	485	4700570002	329	4700791454	397
4700500067	505	4700570003	335,533,537	4700791460	123
4700500068	539	4700570004	259,485	4700791475	433
4700500070	289	4700570005	55,77,143,319	4700791518	319,325
4700500075	69,77,251,323		325,329,385,519	4700791524	469,483
	327,483		527,547	4700791535	169

## NUMERICAL INDEX

Part Number	Page	Part Number	Page	Part Number	Page
4700791572	489,491,493,495	4700792515	37	4700902285	57,69,251,311
4700791588	485	4700792519	345		329
4700791642	129	4700792520	345	4700902286	69,113,125,169
4700791666	55,433	4700792527	479,489,491,493		195,203,225,251
4700791711	269,287		495		259,269,287,303
4700791712	269,287	4700792536	417		389,481
4700791723	485	4700792537	329,349	4700902379	415
4700791733	485	4700792539	469	4700902509	517
4700791739	485	4700792547	139	4700902520	469
4700791743	255	4700792586	303	4700902804	485
4700791799	303	4700792589	417	4700902866	71
4700791805	269,287	4700792601	61	4700902930	231,243
4700791807	259,303	4700792602	319,325	4700902996	199,213,223,231
4700791828	191	4700792609	347,543		243
4700791830	297	4700792634	517	4700903290	35,405,419
4700791832	311	4700792660	361	4700903386	401
4700791834	311	4700792667	385	4700903422	511
4700791838	191,217	4700792678	473	4700903423	123,513
4700791840	191	4700792686	539	4700903424	513
4700791843	255	4700792718	69,533,537	4700903425	417,511
4700791846	215,245	4700792761	369	4700903431	263,267
4700791860	169,195,203	4700792762	369	4700903456	303
4700791956	55	4700792763	369	4700903459	511
4700791966	443	4700792769	319,325	4700903586	55
4700791970	501	4700792772	511	4700903590	445
4700792035	353	4700792776	339	4700903615	63
4700792065	507	4700792795	369	4700903633	419
4700792068	253	4700792796	69	4700903640	323
4700792074	311	4700792809	253,311	4700903641	323
4700792083	37,305	4700801631	51	4700903662	487
4700792093	311	4700813423	145	4700903670	433
4700792103	415	4700900229	271	4700903703	125,251
4700792119	71	4700900430	181	4700903714	145
4700792186	381	4700900775	97,99,101,103	4700903732	507
4700792210	333,365,397		105,107	4700903741	329
4700792261	149	4700900776	27,97,99,101,103	4700903768	251
4700792264	253		105,107	4700903795	93
4700792276	253	4700900782	27,97,99,101,103	4700903917	469
4700792295	253		105,107	4700903918	469
4700792299	255,301	4700900994	305	4700903923	69
4700792309	323,327,331,443	4700901141	507	4700903985	149,511
4700792310	323,327	4700901145	405,419	4700904004	169,171,197,205
4700792322	121	4700901157	279,289		279,289
4700792336	169	4700901218	149	4700904005	217,229,237,247
4700792338	253	4700901225	329		271,283
4700792339	281,299,301	4700901226	345	4700904015	375
4700792354	353	4700901227	329,333,345,361	4700904024	375
4700792392	365		375,443	4700904037	319,325,343
4700792394	37	4700901228	329,443	4700904039	319,325
4700792397	385	4700901327	249	4700904165	527
4700792398	349	4700901385	185	4700904171	293
4700792410	389	4700901386	185	4700904206	135,457
4700792414	485	4700901443	149	4700904214	469
4700792422	345	4700901444	149	4700904228	35,55,93,141,145
4700792441	139,319,323,325	4700901465	249		253,259,311,323
	327,329,331,345	4700901688	383		327,331,335,337
	349,357,381,397	4700901727	277		341,359,363,377
	435,441,493,495	4700901832	69,113		381,397,429,437
4700792465	279,289	4700901987	165		441,457,477,483
4700792500	303	4700902041	63		485,487,523,533
4700792502	113	4700902166	35		537
4700792505	443	4700902282	405	4700904229	113,117,119,121

## NUMERICAL INDEX

Part Number	Page	Part Number	Page	Part Number	Page
4700904229	127,131,133,143 169,181,195,203 251,253,255,259 261,265,299,301 303,311,319,321 323,325,327,329 345,361,371,385 389,401,433,469 473,475,477,481 483,487,503,505 507,519,527,539 541,547	4700904653 4700904654 4700904698 4700904703 4700904734 4700904735 4700904755 4700904766 4700904774 4700904793 4700904835 4700904870 4700904872 4700904895 4700904911 4700904943 4700904985 4700904986 4700904988 4700908229 4700908505 4700908506 4700908507 4700908561 4700908564 4700908774 4700909129 4700909525	499 547 69,329,331,373 399,401,485,533 77,143,271,489 491,493,495 301,311,547 69,251,259,351 373 69 251,311 181,251,283,293 227,235 511 511 259,303 511 337 311 139,145,253 139 141 511 409,445 445 445 429 429 275 415 199,213,223,231 243 163 255 125 141 377 347 311 57 141 125,253,259 249 217,229,237,247 271 397 397 69,399,401,533 35 123 55 329,533,537 165 61 405 35 489,491,493,495 437 117 331 351 217,229,237,247	4700928791 4700929023 4700929191 4700929226 4700929447 4700929455 4700929587 4700929612 4700929675 4700935626 4700935633 4700936313 4700937258 4700937264 4700937265 4700937283 4700937620 4700937621 4700937892 4700938622 4700938984 4700939009 4700939014 4700939082 4700939273 4700939348 4700939350 4700939693 4700940451 4700940533 4700940676 4700945314 4700945622 4700945632 4700945633 4700945634 4700945635 4700945636 4700945637 4700945657 4700945661 4700945757 4700945760 4700945887 4700947679 4700947680 4700947690 4700947698 4700947699 4700947706 4700950140 4700950313 4700950348 4700960067 4700989151 4811000074 4811000077 4811000086 4811000089 4811000109	271 129 69 169,171,197,205 279,289 29,93,101,103 353 415,433 165 159 249 249 291 183 179,189 183 249 479 479 479 439 163 165 165 11,13,15,17,21 23,115 165 165 163,165 433 485 115 291 541 481 471 471 471 471 471 471 471 471 27 481 231,243 115 115 473 409,431 123 85 85 85 115 115 537 375 253 171,181,307,311 385 227,235 139 47
4700904230	35,45,59,73,75 81,125,169,191 195,203,255,259 281,297,387,391 479,545	4700904835 4700904870 4700904872 4700904895 4700904911 4700904943 4700904985 4700904986 4700904988 4700908229 4700908505 4700908506 4700908507	511 511 259,303 511 337 311 139,145,253 139 141 511 409,445 445 445	4700937258 4700937264 4700937265 4700937283 4700937620 4700937621 4700937892 4700938622 4700938984 4700939009 4700939014 4700939082	183 179,189 183 249 479 479 479 439 163 165 165 11,13,15,17,21 23,115
4700904231	37,77,85,93,113 123,143,171,181 215,245,283,293 319,325,397	4700904943 4700904985 4700904986 4700904988 4700908229 4700908505 4700908506 4700908507	311 139,145,253 139 141 511 409,445 445 445	4700937621 4700937892 4700938622 4700938984 4700939009 4700939014 4700939082	479 479 439 163 165 165 11,13,15,17,21 23,115
4700904232	49,85,97,99,101 103,105,107,197 205	4700908229 4700908505 4700908506 4700908507	511 409,445 445 445	4700939009 4700939014 4700939082	165 165 11,13,15,17,21 23,115
4700904233	35,85,109,149 405,419	4700908506 4700908507	445 445	4700939082	11,13,15,17,21 23,115
4700904260	85	4700908561	429	4700939273	165
4700904280	149	4700908564	429	4700939348	165
4700904281	135,329,335,355 381,485,497,499	4700908774 4700909129 4700909525	275 415 199,213,223,231 243	4700939350 4700939693 4700940451 4700940533 4700940676 4700945314 4700945622 4700945632 4700945633 4700945634 4700945635 4700945636 4700945637 4700945657 4700945661 4700945757 4700945760 4700945887 4700947679 4700947680 4700947690 4700947698 4700947699 4700947706 4700950140 4700950313 4700950348 4700960067 4700989151 4811000074 4811000077 4811000086 4811000089 4811000109	163,165 433 485 115 291 541 481 471 471 471 471 471 471 471 27 481 231,243 115 115 473 409,431 123 85 85 85 115 115 537 375 253 171,181,307,311 385 227,235 139 47
4700904299	533	4700909129 4700909525	415 199,213,223,231 243	4700939693 4700940451 4700940533 4700940676 4700945314 4700945622 4700945632 4700945633 4700945634 4700945635 4700945636 4700945637 4700945657 4700945661 4700945757 4700945760 4700945887 4700947679 4700947680 4700947690 4700947698 4700947699 4700947706 4700950140 4700950313 4700950348 4700960067 4700989151 4811000074 4811000077 4811000086 4811000089 4811000109	433 485 115 291 541 481 471 471 471 471 471 471 471 27 481 231,243 115 115 473 409,431 123 85 85 85 115 115 537 375 253 171,181,307,311 385 227,235 139 47
4700904312	331	4700909525	243	4700940451 4700940533 4700940676 4700945314 4700945622 4700945632 4700945633 4700945634 4700945635 4700945636 4700945637 4700945657 4700945661 4700945757 4700945760 4700945887 4700947679 4700947680 4700947690 4700947698 4700947699 4700947706 4700950140 4700950313 4700950348 4700960067 4700989151 4811000074 4811000077 4811000086 4811000089 4811000109	485 115 291 541 481 471 471 471 471 471 471 471 27 481 231,243 115 115 473 409,431 123 85 85 85 115 115 537 375 253 171,181,307,311 385 227,235 139 47
4700904346	253	4700909609	163	4700940676 4700945314 4700945622 4700945632 4700945633 4700945634 4700945635 4700945636 4700945637 4700945657 4700945661 4700945757 4700945760 4700945887 4700947679 4700947680 4700947690 4700947698 4700947699 4700947706 4700950140 4700950313 4700950348 4700960067 4700989151 4811000074 4811000077 4811000086 4811000089 4811000109	291 541 481 471 471 471 471 471 471 27 481 231,243 115 115 473 409,431 123 85 85 85 115 115 537 375 253 171,181,307,311 385 227,235 139 47
4700904353	149	4700910162	255	4700945314 4700945622 4700945632 4700945633 4700945634 4700945635 4700945636 4700945637 4700945657 4700945661 4700945757 4700945760 4700945887 4700947679 4700947680 4700947690 4700947698 4700947699 4700947706 4700950140 4700950313 4700950348 4700960067 4700989151 4811000074 4811000077 4811000086 4811000089 4811000109	541 481 471 471 471 471 471 471 27 481 231,243 115 115 473 409,431 123 85 85 85 115 115 537 375 253 171,181,307,311 385 227,235 139 47
4700904388	511	4700921050	125	4700945622 4700945632 4700945633 4700945634 4700945635 4700945636 4700945637 4700945657 4700945661 4700945757 4700945760 4700945887 4700947679 4700947680 4700947690 4700947698 4700947699 4700947706 4700950140 4700950313 4700950348 4700960067 4700989151 4811000074 4811000077 4811000086 4811000089 4811000109	481 471 471 471 471 471 471 27 481 231,243 115 115 473 409,431 123 85 85 85 115 115 537 375 253 171,181,307,311 385 227,235 139 47
4700904389	511,513	4700921057	141	4700945632 4700945633 4700945634 4700945635 4700945636 4700945637 4700945657 4700945661 4700945757 4700945760 4700945887 4700947679 4700947680 4700947690 4700947698 4700947699 4700947706 4700950140 4700950313 4700950348 4700960067 4700989151 4811000074 4811000077 4811000086 4811000089 4811000109	471 471 471 471 471 471 27 481 231,243 115 115 473 409,431 123 85 85 85 115 115 537 375 253 171,181,307,311 385 227,235 139 47
4700904390	511	4700921078	377	4700945633 4700945634 4700945635 4700945636 4700945637 4700945657 4700945661 4700945757 4700945760 4700945887 4700947679 4700947680 4700947690 4700947698 4700947699 4700947706 4700950140 4700950313 4700950348 4700960067 4700989151 4811000074 4811000077 4811000086 4811000089 4811000109	471 471 471 471 471 27 481 231,243 115 115 473 409,431 123 85 85 85 115 115 537 375 253 171,181,307,311 385 227,235 139 47
4700904391	511,513	4700921080	347	4700945634 4700945635 4700945636 4700945637 4700945657 4700945661 4700945757 4700945760 4700945887 4700947679 4700947680 4700947690 4700947698 4700947699 4700947706 4700950140 4700950313 4700950348 4700960067 4700989151 4811000074 4811000077 4811000086 4811000089 4811000109	471 471 471 471 27 481 231,243 115 115 473 409,431 123 85 85 85 115 115 537 375 253 171,181,307,311 385 227,235 139 47
4700904496	271	4700921084	311	4700945635 4700945636 4700945637 4700945657 4700945661 4700945757 4700945760 4700945887 4700947679 4700947680 4700947690 4700947698 4700947699 4700947706 4700950140 4700950313 4700950348 4700960067 4700989151 4811000074 4811000077 4811000086 4811000089 4811000109	471 471 471 27 481 231,243 115 115 473 409,431 123 85 85 85 115 115 537 375 253 171,181,307,311 385 227,235 139 47
4700904504	335,443	4700921723	57	4700945636 4700945637 4700945657 4700945661 4700945757 4700945760 4700945887 4700947679 4700947680 4700947690 4700947698 4700947699 4700947706 4700950140 4700950313 4700950348 4700960067 4700989151 4811000074 4811000077 4811000086 4811000089 4811000109	471 471 27 481 231,243 115 115 473 409,431 123 85 85 85 115 115 537 375 253 171,181,307,311 385 227,235 139 47
4700904556	85,121,123,127 131,143,253,299 323,327,505,531	4700922944 4700923008 4700923087 4700923384	141 125,253,259 249 217,229,237,247 271 397 397 69,399,401,533 35 123 55 329,533,537 165 61 405 35 489,491,493,495 437 117 331 351 217,229,237,247	471 471 27 481 231,243 115 115 473 409,431 123 85 85 85 115 115 537 375 253 171,181,307,311 385 227,235 139 47	
4700904557	55,75,139,169 195,203,413,477	4700923384	217,229,237,247 271 397 397 69,399,401,533 35 123 55 329,533,537 165 61 405 35 489,491,493,495 437 117 331 351 217,229,237,247	471 471 27 481 231,243 115 115 473 409,431 123 85 85 85 115 115 537 375 253 171,181,307,311 385 227,235 139 47	
4700904558	37,41,43,47,51 119,279,289	4700923859 4700923876 4700923976 4700925208 4700925519 4700926215 4700926537 4700926781 4700927233 4700927410 4700927411 4700928347 4700928381 4700928441 4700928467 4700928784 4700928791	397 397 69,399,401,533 35 123 55 329,533,537 165 61 405 35 489,491,493,495 437 117 331 351 217,229,237,247	471 473 409,431 123 85 85 85 115 115 537 375 253 171,181,307,311 385 227,235 139 47	
4700904563	429	4700923976	69,399,401,533	4700947680 4700947690 4700947698 4700947699 4700947706 4700950140 4700950313 4700950348 4700960067 4700989151 4811000074 4811000077 4811000086 4811000089 4811000109	409,431 123 85 85 85 115 115 537 375 253 171,181,307,311 385 227,235 139 47
4700904567	37	4700925208	35	4700947690 4700947698 4700947699 4700947706 4700950140 4700950313 4700950348 4700960067 4700989151 4811000074 4811000077 4811000086 4811000089 4811000109	123 85 85 85 115 115 537 375 253 171,181,307,311 385 227,235 139 47
4700904570	339	4700925519	123	4700947698 4700947699 4700947706 4700950140 4700950313 4700950348 4700960067 4700989151 4811000074 48110	

## NUMERICAL INDEX

Part Number	Page	Part Number	Page	Part Number	Page
4811000150	113	4812110560	329	4812112231	377
4811000151	113	4812110642	85	4812112236	311,315
4811000163	345	4812110644	85	4812112238	255,257
4811000176	319,325	4812110768	123	4812112260	281
4811000178	319	4812110769	123	4812112262	7,9,15,17,21,23
4811000197	251	4812110770	121		281
4811000198	251	4812110772	121	4812112268	407,421,459
4811000199	251	4812110843	123	4812112278	405,407
4811000200	297	4812110884	345	4812112290	307
4811000201	297	4812110885	477	4812112304	169,195,203
4811000202	253	4812110886	485	4812112306	169,195,203
4811000203	297	4812110891	475	4812112325	385
4811000204	297	4812110901	485	4812112341	297
4811000205	297	4812110930	123	4812112343	137
4811000206	303	4812111010	55	4812112344	137
4811000207	303	4812111035	261,265	4812112355	113
4811000209	251	4812111046	31,85	4812112374	345
4811000212	269,287	4812111092	45	4812112393	149
4811000214	251	4812111103	41,45,47	4812112402	75
4811000228	215,227,235,245	4812111122	105,107	4812112403	71
4811000229	215,227,235	4812111216	483	4812112404	69
4811000230	215,227,235,245	4812111241	343	4812112405	79
4811000261	297	4812111248	349	4812112413	93,101,103
4811000263	297	4812111264	123	4812112417	371
4811000265	501	4812111268	377	4812112419	371,377
4811000268	501	4812111294	477	4812112423	521
4811000269	501	4812111311	527	4812112435	149
4811000292	371	4812111326	387	4812112455	97,99,101,103
4811000305	311	4812111768	299	4812112460	389
4811000310	227,235	4812111769	301	4812112465	85
4811000316	381	4812111770	299	4812112479	143
4811000344	511	4812111771	299	4812112530	251
4811000345	511	4812111780	485	4812112555	251,301
4811000393	311	4812111981	323,327	4812112556	253
4811000395	367	4812112000	323,327	4812112559	297
4811000402	251	4812112015	113	4812112560	271
4811000403	251	4812112017	333	4812112561	271
4811000407	309	4812112059	57	4812112639	137
4811000408	309	4812112062	377	4812112640	399
4811000409	309	4812112065	329	4812112641	399
4811000410	269,287	4812112066	329	4812112642	399
4811000411	251	4812112067	329	4812112647	137
4811000412	269,287	4812112068	371	4812112648	253
4811000416	195,203	4812112070	329	4812112655	135
4811000417	279,289	4812112071	381	4812112656	135
4811000429	345	4812112072	397	4812112686	335
4811000458	437,533,537	4812112162	35	4812112691	335
4811000462	81	4812112170	271,273	4812112729	135
4811000481	143	4812112174	279	4812112736	81
4811000529	371	4812112180	289,291	4812112747	99,103,107
4811000531	507	4812112188	311,313	4812112761	137
4812030096	15,21,95	4812112198	85,89,91	4812112774	389
4812030117	9,15,21	4812112200	197,199	4812112776	137
4812030756	7,9,15,21	4812112202	205,207	4812112777	137
4812034895	115	4812112207	247,249	4812112784	97,99,101,103
4812040815	115	4812112208	217,219		105,107
4812041531	11,13,15,17,21	4812112210	237,239	4812112792	399
	23,115	4812112211	229,231	4812112793	345
4812041536	115	4812112215	181,183	4812112834	69
4812110229	245	4812112216	171,173	4812112836	373
4812110352	505	4812112227	377	4812112837	373
4812110367	503	4812112229	377	4812112838	373

## NUMERICAL INDEX

Part Number	Page	Part Number	Page	Part Number	Page
4812112843	71	4812113708	123	4812114564	411,447,461
4812112845	77	4812113786	487	4812114565	411,447,461
4812112846	77	4812113832	95	4812114566	411,447,461
4812112884	71	4812113853	85	4812114567	411,437,447,449
4812112898	35	4812113875	485		457,461,463
4812112916	345	4812113878	123	4812114568	407,459
4812112917	371	4812113879	123	4812114569	413
4812112924	355	4812113885	35	4812114570	449
4812112950	81	4812113903	93	4812114571	449
4812112952	81	4812113941	259,269,287	4812114572	449,463
4812113025	531	4812113963	169,195,203	4812114573	447
4812113032	531	4812113983	303	4812114574	447
4812113058	367	4812113999	143	4812114575	447
4812113075	85	4812114098	145	4812114576	447
4812113083	529	4812114108	191	4812114577	455
4812113117	345	4812114123	539	4812114578	455
4812113118	345	4812114124	539	4812114579	455
4812113123	399	4812114146	367	4812114580	455
4812113140	345	4812114149	125	4812114581	455
4812113141	345	4812114150	125	4812114582	457
4812113148	85	4812114156	367	4812114583	457
4812113158	367	4812114172	477	4812114584	457
4812113160	367	4812114189	283,293	4812114585	457
4812113167	361	4812114194	501	4812114586	423
4812113177	531	4812114205	253	4812114587	423
4812113181	141	4812114212	131,507	4812114588	423
4812113195	125	4812114213	485	4812114593	425
4812113213	85	4812114214	485	4812114598	429
4812113214	85	4812114223	95	4812114599	429
4812113215	283	4812114230	119	4812114600	429
4812113224	85	4812114232	119	4812114601	429
4812113237	259	4812114233	119	4812114602	429
4812113238	365	4812114245	529	4812114603	429
4812113245	529	4812114246	529	4812114604	429
4812113258	31,85	4812114257	527,529	4812114605	429
4812113266	85,87	4812114274	97,101,105	4812114606	429
4812113281	85	4812114280	121	4812114607	429
4812113283	85	4812114284	121	4812114608	429
4812113315	57	4812114311	533,537	4812114609	429
4812113338	259	4812114318	77	4812114610	429
4812113341	149,159	4812114340	85	4812114611	429
4812113344	149,151	4812114344	31,85	4812114612	429
4812113476	93	4812114345	85	4812114613	429
4812113478	477	4812114346	85	4812114619	331
4812113483	115	4812114382	109	4812114622	225
4812113484	115	4812114396	119	4812114652	225
4812113485	115	4812114424	141	4812114655	331
4812113491	539	4812114426	329	4812114656	345
4812113492	539	4812114433	393	4812114670	195,203
4812113513	35	4812114434	255	4812114671	195,203
4812113569	169,195,203	4812114460	329	4812114672	195,203
4812113573	127	4812114465	123	4812114673	195,203
4812113607	35	4812114476	69	4812114674	169
4812113621	293	4812114488	69	4812114675	169
4812113622	537	4812114492	299	4812114676	169
4812113623	533,537	4812114514	269,287	4812114677	169
4812113624	533,535	4812114515	269,287	4812114678	169
4812113633	283,293	4812114516	269,287	4812114679	169
4812113640	137	4812114517	269,287	4812114680	169
4812113641	137	4812114518	269,287	4812114684	169,195,203
4812113687	191,193	4812114519	269,287	4812114685	169,195,203
4812113699	85	4812114563	411,461	4812114686	169,195,203



NUMERICAL INDEX

Part Number	Page	Part Number	Page	Part Number	Page
4812114690	169,195,203	4812115192	465	4812115832	297
4812114691	169,195,203	4812115193	409	4812115835	145,539
4812114692	169,195,203	4812115194	409	4812115836	145,539
4812114699	215,227,235	4812115195	409	4812115857	113
4812114700	245	4812115196	409	4812115858	113
4812114720	391	4812115197	451	4812115902	131
4812114742	545	4812115198	451	4812115908	143
4812114756	63	4812115199	453	4812115911	319,325
4812114803	485	4812115200	425,427	4812115912	319,325
4812114804	519	4812115202	423,425	4812115917	385
4812114813	135	4812115203	425	4812115921	397
4812114814	67	4812115204	425	4812115947	37
4812114828	71	4812115205	425	4812115949	37
4812114829	71	4812115206	425	4812115950	37
4812114830	71	4812115207	425	4812115965	271
4812114831	71	4812115214	425	4812116023	93
4812114833	45	4812115216	425	4812116029	85
4812114873	345	4812115217	425	4812116043	85
4812114913	137	4812115218	425	4812116107	125
4812114931	543	4812115219	427	4812116181	397
4812114932	543	4812115220	427	4812116183	85
4812114933	149	4812115223	427	4812116192	433
4812114934	149	4812115224	453	4812116193	433
4812114935	135	4812115225	427	4812116194	433
4812114949	135	4812115226	427	4812116195	433
4812114984	381	4812115228	433	4812116197	433
4812115010	77	4812115229	433	4812116198	433
4812115013	533,537	4812115230	433	4812116199	425
4812115019	507	4812115231	73	4812116201	433
4812115020	389	4812115232	73	4812116284	67
4812115022	73	4812115233	73	4812116289	479
4812115051	191,197,205,271	4812115234	73	4812116308	73
4812115063	307	4812115332	143	4812116333	37
4812115064	251,307	4812115333	143	4812116334	37
4812115065	307	4812115334	143	4812116340	37
4812115093	361	4812115335	143	4812116342	143
4812115162	429	4812115387	405,419	4812116346	401
4812115164	409,431,433	4812115392	37	4812116354	401
4812115165	431	4812115398	37	4812116357	479
4812115166	409,431	4812115463	301	4812116362	325
4812115167	435	4812115464	301	4812116367	401
4812115168	435	4812115467	37	4812116370	357
4812115169	435	4812115481	127	4812116587	401
4812115170	409,431	4812115487	127	4812116588	401
4812115171	409,431	4812115488	127	4812116611	359
4812115172	435	4812115508	51	4812116612	359
4812115175	437	4812115539	125	4812116617	51
4812115177	437	4812115544	121	4812116622	389
4812115178	437	4812115547	121	4812116645	253
4812115179	437	4812115548	121	4812116651	61
4812115180	437	4812115549	121	4812116652	61
4812115181	441	4812115580	131	4812116653	61
4812115182	441	4812115581	143	4812116702	37
4812115183	441	4812115600	143	4812116781	279,289
4812115184	443	4812115673	47	4812116792	71
4812115185	443	4812115707	371,377	4812116793	71
4812115186	415,433	4812115722	73	4812116799	385
4812115187	443	4812115723	73	4812116807	311
4812115188	453	4812115745	57	4812116821	37,55
4812115189	453	4812115770	145	4812116834	135
4812115190	453	4812115778	41,45	4812116836	135
4812115191	453	4812115810	395	4812116848	387

## NUMERICAL INDEX

Part Number	Page	Part Number	Page	Part Number	Page
4812116857	169,195,203	4812118275	135	4812120437	511
4812116861	323,327	4812118287	119	4812120439	511
4812116862	69	4812118312	483	4812120441	511
4812116867	405	4812118338	119	4812120468	389
4812116877	327	4812118385	325	4812120469	389
4812116884	405	4812118432	119	4812120495	55
4812116972	325	4812118433	127	4812120615	37
4812116986	501	4812118467	319,325	4812120618	37
4812116994	143	4812118494	123	4812120661	37,55
4812116996	143	4812118499	143	4812120674	149
4812117000	129	4812118503	139	4812120676	149
4812117024	311	4812118525	69	4812120725	69
4812117048	55	4812118624	373	4812120726	69
4812117108	339	4812118625	371	4812120727	69
4812117149	341	4812118626	135	4812120729	69
4812117165	117	4812118641	373	4812120730	69
4812117166	117	4812118670	135	4812120749	67,69
4812117248	507,539	4812118697	485	4812120831	305
4812117324	269,287	4812118752	319	4812121000	419
4812117325	195,203	4812118754	485	4812121111	37
4812117326	195,203	4812118814	21,23,97,99,101	4812121282	37
4812117349	533,537,543		103,105,107	4812121368	69
4812117397	139	4812118816	491,495	4812121396	37
4812117436	251	4812118842	545	4812121397	37
4812117448	251	4812118847	113	4812121398	37
4812117449	251	4812118852	393	4812121665	37
4812117451	251	4812118853	81	4812156170	31
4812117473	71	4812118859	69	4812156456	7,9,21
4812117490	485	4812118862	69	4812156777	387
4812117507	35,37	4812118883	393	4812156796	165
4812117508	37	4812118884	393	4812156887	159
4812117512	37	4812118887	311	4812156954	163
4812117530	37	4812118893	547	4812156958	163
4812117602	121	4812118917	311	4812156993	5,7,19
4812117702	251	4812118918	311	4812156999	199,209,221,231
4812117732	251	4812118920	311		241
4812117742	121	4812118921	311	4812157051	199,221,231
4812117789	139	4812118960	253	4812157052	199,221,231
4812117796	265,267	4812118961	253	4812157053	199,221,231
4812117797	261,263	4812118976	69	4812157054	199
4812117839	67	4812118989	71	4812157055	199
4812117915	169,195,203	4812118994	69,71	4812157056	199,213
4812117922	489,493	4812119062	319,325	4812157057	199,213,223,231
4812117924	489,491	4812119127	123		243
4812117925	493,495	4812119227	485	4812157058	199,213,223
4812117964	503	4812119306	501	4812157059	199,213,223
4812118062	51	4812119317	485	4812157060	201,211,221,233
4812118127	121	4812119327	501		241
4812118128	121	4812119366	419,421	4812157061	201,211,221,233
4812118150	283,285	4812119367	419,459		241
4812118151	293,295	4812119807	37	4812157062	201,211,221,233
4812118154	319,325	4812119809	37		241
4812118166	143	4812120100	511	4812157063	201,211,221,233
4812118167	143	4812120101	511		241
4812118168	143	4812120115	511	4812157064	199,213
4812118179	127	4812120122	513	4812157065	209,241
4812118198	113	4812120160	55	4812157066	209
4812118203	117	4812120306	511,513	4812157067	209
4812118214	261,265	4812120363	55	4812157068	209
4812118215	539	4812120376	131	4812157069	209
4812118216	539	4812120402	55	4812157070	209,241
4812118245	113	4812120414	37	4812157071	209,241

## NUMERICAL INDEX

Part Number	Page	Part Number	Page	Part Number	Page
4812157072	209,241	4812158154	199,207	4812158466	151
4812157073	213,243,377	4812158163	423	4812158467	151
4812157074	199,221,231	4812158164	423	4812158468	151
4812157075	199,221,231	4812158165	423	4812158469	151
4812157076	231	4812158168	175	4812158470	153
4812157077	231	4812158169	177	4812158471	153
4812157078	231,243	4812158170	173	4812158472	153
4812157079	231,243	4812158171	175	4812158473	153
4812157080	241	4812158172	177	4812158474	153
4812157170	177,187	4812158173	173	4812158475	153
4812157184	177,187	4812158187	11,13,15,17,21	4812158476	157
4812157185	177,187		23,115	4812158477	157
4812157275	25,29	4812158189	115	4812158478	157
4812157358	161	4812158190	11,13,15,17,21	4812158479	157
4812157359	161		23,129	4812158480	157
4812157361	161	4812158191	15,17,21,23,129	4812158481	537
4812157369	277	4812158192	129	4812158482	537
4812157370	277	4812158195	115	4812158483	193
4812157371	209,241,277	4812158198	291	4812158484	193
4812157372	277	4812158265	241	4812158485	433
4812157373	277	4812158266	241	4812158581	25,31
4812157374	277	4812158270	221	4812158657	187
4812157376	277	4812158271	221	4812158687	5,11,19
4812157383	275	4812158272	223	4812158688	5,13
4812157460	177,187	4812158273	219	4812158689	5,15,19
4812157461	163	4812158274	223	4812158690	5,17
4812157462	161	4812158289	535	4812158691	5,19
4812157463	165	4812158290	535	4812158692	5,21
4812157464	165	4812158291	535	4812158693	5,23
4812157465	163	4812158292	535	4812158766	183
4812157466	163	4812158293	429	4812158777	87
4812157469	161	4812158297	277	4812158778	87
4812157471	313	4812158298	277	4812158779	87
4812157472	313	4812158351	277	4812158780	87
4812157473	313	4812158352	275	4812158781	87
4812157474	313	4812158353	275	4812158782	87
4812157654	257	4812158354	277	4812158783	87
4812157655	257	4812158355	277	4812158859	453
4812157656	313	4812158356	275	4812158860	453
4812157657	313	4812158357	275	4812158992	437
4812157681	257	4812158358	275	4812159164	115
4812157682	257	4812158359	275	4812159166	115
4812157683	257	4812158360	275	4812159183	425
4812157684	257	4812158361	275	4812159184	423
4812157685	257	4812158362	273	4812159460	275
4812157686	257	4812158364	277	4812159461	275
4812157687	257	4812158367	479	4812159558	425
4812157688	257	4812158387	91	4812159763	267
4812157770	257	4812158388	91	4812159767	437
4812157771	257	4812158389	91	4812159768	437
4812157772	257	4812158390	89	4812159775	427
4812157773	257	4812158391	89	4812159996	5,9
4812158064	115	4812158392	89	4812160053	545
4812158065	115	4812158393	89	5501178300	311
4812158077	175	4812158394	91	5580020624	11,15,21
4812158085	85,105	4812158395	285,295	9106230330	21
4812158086	85,107	4812158399	277	D902899008	275
4812158090	85,97	4812158453	249	D966534208	173
4812158091	85,99	4812158454	249		
4812158095	85,101	4812158455	249		
4812158096	85,103	4812158456	249		
4812158153	231,239	4812158465	21,23,115		



**Dynapac Compaction Equipment AB**

**Atlas Copco Road Construction Equipment AB**  
Box 504, SE 371 23 Karlskrona, Sweden  
Phone.+46 (0) 455 30 60 00 Fax. +46 (0)455 30 60 30  
[www.atlascopco.com](http://www.atlascopco.com)